



Customer Guide for Electric Service – NJ

October 2018

(Page Intentionally Blank)

TABLE OF CONTENTS

1.0	INTRODUCTION	1
2.0	DEFINITIONS	2
3.0	GENERAL INFORMATION.....	6
3.1	Availability & Character of Service.....	6
3.2	Application for Service	6
3.3	Line Extensions.....	8
3.4	Number of Services & Meters	8
3.5	Use of Service by Customer	8
3.6	Interruption & Liability.....	9
3.7	Final Connections	10
3.8	Grounding/Bonding	10
3.9	Electrical Inspection.....	10
3.10	Meter & Seal Tampering	11
3.11	Meter Attachments.....	11
3.12	Disconnect/Reconnect of Existing Service (Upgrades/Maintenance).....	11
3.13	Locating Underground Electric Facilities	12
3.14	Required Clearance from Markout for Digging in the Vicinity of Company Underground Electric Facilities	12
3.15	Buildings/Structures & Swimming Pools/Spas/Hot Tubs near Electric Lines	12
3.16	Attachments on Company-Owned Facilities	12
3.17	Clearance of Trees from Power Lines.....	13
3.18	Access to Customer's Premises	13
3.19	Company's Equipment on Customer's Premises	13
3.20	Requested Protection for Persons Working Near Company Facilities.....	14
4.0	TEMPORARY SERVICE	14
5.0	PERMANENT SERVICE – OVERHEAD	14
5.1	General.....	14
5.2	Service Drop Clearances.....	15
5.3	Mobile Homes or Mobile Home Parks	15
5.4	Travel Trailer or RV Parks	16
5.5	Central Pole Distribution Metering Service.....	16
6.0	PERMANENT SERVICE – UNDERGROUND.....	16
6.1	General.....	16
6.2	Underground Services from Overhead Lines.....	18
6.3	Underground Services in Underground Residential Areas	18
6.4	Underground Services in Underground Commercial Areas.....	18
6.5	Underground Services in Central Business District Network Areas.....	19
6.6	Transformer Foundations & Vaults	19
6.7	Mobile Homes or Mobile Home Parks	20
7.0	METER INSTALLATIONS	20
7.1	General.....	20
7.2	Meter Locations	20
7.3	Group Meter Installations	21
7.4	Meter Relocations	22
7.5	Minimum Meter Sockets Requirements.....	22
7.6	Metering Equipment Installation Guideline Summary	24
7.7	Minimum Size Meter Socket - 480-Volt Services	25
7.8	Installations Requiring 400 Amperes & Less of Continuous Metering Load	26
7.9	Installations Requiring Over 400 Amperes of Continuous Metering Load.....	26
7.10	Approved Current Transformer Cabinets.....	26
7.11	Service at Voltages Greater Than 600 Volts.....	28
7.12	Disconnect Requirements	29
8.0	CUSTOMER EQUIPMENT	29
8.1	Motors (Inrush Limitations & Motor Protection)	29
8.2	Power Factor	32
8.3	Welders & Industrial Furnaces	32
8.4	Commercial Cooking, Space Heating, Water Heating, & Ice / Snow Melting	32
8.5	Low-Voltage Surge Arresters (600 Volts or Less).....	32

8.6 UPS, Cogeneration, Back-up Generation, & Interconnected Generation33
8.7 Harmonic Producing Equipment.....33
8.8 Protective Devices33
8.9 Special Equipment34

EXHIBITS

Service Material Guideline for the New Jersey Operating Company	Exhibit 1
Service Drop Clearance Minimum for Services under 600 Volts.....	Exhibit 2
Typical Temporary Service Overhead Installation.....	Exhibit 3
Typical Temporary Service Underground Installation	Exhibit 4
Typical Grounding Details	Exhibit 5
Typical Overhead Single-phase Service Entrance Installation 400 Amp or Less.....	Exhibit 6
Overhead Service Typical Service Drop Attachment	Exhibit 7
Typical Single-Phase Underground Service Lateral Installation 400 Amp or Less (NJ).....	Exhibit 8
Standoff Attachment of Customer-Owned Underground Service Lateral on New Jersey Operating Company's Poles	Exhibit 9
Standoff Attachment of Customer-Owned Underground Service Laterals on New Jersey Operating Company's Poles	Exhibit 10A
Customer- Owned Underground Secondary Service Lateral to Handhole/Pedestal.....	Exhibit 10B
Typical Overhead Service Central Distribution Installation	Exhibit 11
Typical Underground Service Stand Alone Metering / Central Distribution Installation	Exhibit 12
Typical Single Mobile Home Service Overhead & Underground.....	Exhibit 13
Metering & Service Facilities for Mobile Homes & Travel Trailer Parks Four or More Meters.....	Exhibit 14
Metering Installation Single-Phase & Three-Phase 480-Volt Self-Contained Meter with Source-Side Disconnect 400 Amp or Less	Exhibit 15
Multiple Metering Installation Self-Contained Metering 400 Amp or Less	Exhibit 16
Metering Installation Self-Contained Single-Phase 120/208Y V Network 400 Amp or Less	Exhibit 17
Metering Installation Three-Phase Self-Contained Metering 400 Amp or Less.....	Exhibit 18
Metering Installation Outdoor - Metering Cabinet with Current Transformers Details	Exhibit 19
Metering Installation Outdoor Current Transformer Cabinet Mounted on a Building.....	Exhibit 20
Underground Secondary Service in Pad-Mounted Transformer with Current Transformers.....	Exhibit 21
Minimum Clearances from Structures for Oil-Filled Pad-Mounted Equipment	Exhibit 22
Clearances of Pad-Mounted Equipment, Pedestals, Handholes, or Manholes from Shrubs, Plants, Fences, Wall Screenings, & Other Obstructions.....	Exhibit 23
Typical Trenching Details for Installation of Secondary/Service Lateral & Primary Conductors in Conduit (3 pages)	Exhibit 24
Three-Phase Transformer Pre-Cast Concrete Foundation (3 pages)	Exhibit 25
Concrete Flat-Pad Foundation Pad-Mounted Transformer 75 to 500 kVA Three-Phase, 34.5 kV & Below High-Side.....	Exhibit 26
Concrete Flat-Pad Foundation Pad-Mounted Transformer 750 to 2500 kVA Three-Phase, 34.5 kV & Below High-Side.....	Exhibit 27
Concrete Flat-Pad Foundation Pad-Mounted Transformer General Notes	Exhibit 28
Typical Single-Phase Box Pad Foundation Installation.....	Exhibit 29
Vehicular Barrier for Pad-Mounted Equipment.....	Exhibit 30
Meter Landing Detail FEMA Flood Zones – NJ Coastal Areas	Exhibit 31
Typical Underground Service Traffic Signal, CATV, or Communication Stand Alone Equipment.....	Exhibit 32

APPENDIX

Fax Application Builder Install Request Form 1046Appendix 1

SUMMARY OF MAJOR CHANGES TO THIS GUIDE
(October 2018)

Significant changes to the text from the last published version are identified in this document by a vertical bar in the left-hand margin (see example in the left margin of this paragraph). Additionally, a summary of the significant changes to the text (by section) and to the exhibits (by exhibit) is provided below:

Section	Changes
2.0 (Definitions)	Revised definition for: Approved, Buried Underground Distribution (BUD), Central Business District (CBD) Network, and Select Backfill. Added definition for Voltage Transformer (VT).
3.8	Clarified that the two ground rods shall be separated at least 6 (six) feet apart.
3.11	Added telephone and CATV grounds are not permitted to be attached to the meter socket. Added a list of un-authorized attachments to meters or meter sockets.
3.13	Revised One -Call information
6.1	Revised the requirements for customer installed underground service conductors. Removed reference to direct buried cables. Conduit is required for all services.
6.4	The cable size is limited to 750 kcmil when terminating in a handhole, pedestal, or single-phase transformer and 1000 kcmil (maximum 8 conductors per phase) or 750 kcmil (maximum 16 conductors per phase) when terminating in a three-phase pad-mounted transformer.
6.6	Alternate locations for the three-phase transformer location will be evaluated and approved by the regional Engineering Services Manager.
7.2	Added additional prohibited meter socket locations. Indoor locations shall be approved by the regional Engineering Services Manager.
7.5	Added the requirement for bypass horns in Gangable Sockets - residential units.
7.9	Added the requirements that the neutral connection be located in the front of the enclosure and the customer shall provide conduit or raceway for metering cables.
7.10	Revised Short-Circuit Current rating on Erickson Cabinets
7.11	Added statement that service at voltages greater than 600 volts may be provided at the discretion of the Company.
7.12	Added permission for a fused meter disconnect for services with fault current greater than 10 kA.
Exhibit	Changes
1	Revised Note 2. Added limit of the number of conductors per phase for three-phase transformers. Revised Note 7 All new and upgraded are now required to be in conduit
2	Dimension "S" – Added approximate height of meter socket.
3	Removed "Meter socket may be connected to external ground rods if required by local authorities."
4	Removed "Meter socket may be connected to external ground rods if required by local authorities."
5	Minor drafting changes.
6	Clarified ownership of mast bracket. Revised Note 3 – Removed "Meter socket may be connected to external ground rods if required by local authorities."
7	No changes.

8	Revised drawing to show an all conduit system. Revised location of slip joint. Removed Note 4 "Meter socket may be connected to external ground rods if required by local authorities" Removed reference to slack box.
9	Revised drawing to show stand-off brackets. Revised Note 5. The customer or contractor installs the first ten feet of conduit up the pole and leaves a length of wire, long enough to reach the transformer, coiled and attached to the pole. The Company will complete the installation above ten feet on the pole.
10 A	Formally Exhibit 10. Revised Note 5. The customer or contractor installs the first ten feet of conduit up the pole and leaves a length of wire, long enough to reach the transformer, coiled and attached to the pole. The Company will complete the installation above ten feet on the pole.
10 B	New Exhibit. Use requires Company approval. Typically used in event of pole replacements.
11	No changes.
12	Changed title to include stand-alone metering. Removed "Meter socket may be connected to external ground rods if required by local authorities." Added new Note 5. Customer shall provide ground movement protection.
13	Removed "Meter socket may be connected to external ground rods if required by local authorities." Added Note 10, Customer shall provide ground movement protection.
14	Rearranged notes. Removed "Meter socket may be connected to external ground rods if required by local authorities." Added Note 10, Customer shall provide ground movement protection.
15	Added maximum height requirement for disconnect handle in alternate configuration drawing.
16	Removed "Meter socket may be connected to external ground rods if required by local authorities."
17	Removed "Meter socket may be connected to external ground rods if required by local authorities."
18	Rearranged notes. Removed "Meter socket may be connected to external ground rods if required by local authorities."
19	Added 50' maximum distance from meter socket to cabinet. Removed "Indoor" from title.
20	Added 50' maximum distance from meter socket to cabinet
21	No changes
22	No changes
23	Indicated in drawing difference between new and mature plants.
24 -1	Removed reference to direct buried cables in drawings and title. Underground cables are now required to be in conduit.
24-2	Revised Notes 1, 3, 6, 8, 9,10,13, and14 for clarity and to only reference conduit installations. Added high pressure gas to Note 6. Revised table in Note 7.
24-3	Revised Note 15 to indicate secondary and service lateral conduit shall be sized by the Company and provided additional details for the conduits. Revised Note 16 to address damage to pulling line. Revised Note 18 to remove reference to direct buried cables.
25-1,2,3	No changes
26	No changes
27	No changes
28	Added "Customer shall" to Notes 2, 5, and 11.
29	Removed reference to direct buried cable on drawing. Revised Note 4.

30	Revised note references on drawing.
31	No changes
32	New Exhibit: Typical Underground Service Traffic Signal, CATV, or Communication Stand Alone Equipment.

1.0 INTRODUCTION

This Guide is published to provide pertinent specifications, information, and guidance to assist customers and their architects, engineers, builders, and contractors in planning for and obtaining a safe and prompt electric service.

The information and exhibits contained herein are the "specifications" referred to in the Company's currently applicable Tariffs. These specifications convey general knowledge and do not provide every detail or every requirement. Furthermore, the information is supplementary to, and does not intentionally conflict with the National Electrical Code (NEC), the National Electrical Safety Code (NESC), the Company's current applicable Tariffs (as defined in Section 2.0), or such state and municipal laws and ordinances as may be in force and applicable within the cities, towns, or communities in which the Company furnishes electric service. It is always necessary for customer and contractors to comply with state statutes, local ordinances, and the Company's Tariffs on file with the New Jersey Board of Public Utilities (NJ BPU). To the extent that any information included in this Guide contradicts any terms in the Company's current applicable Tariff, the Tariff provision or provisions shall govern.

The Company shall have the right to refuse to connect any wiring or installation that does not fully meet the aforementioned requirements, regulations, and rules. The Company shall also have the right to disconnect the wiring or installation of any customer violating any such requirements, regulations, or rules. This is not intended to imply that the Company undertakes any obligations to inspect the customer's wiring and electrical facilities, to assume any obligations, or to make any representations concerning their adequacy, safety, fitness for purpose, or other qualification. Nothing in the aforementioned requirements, regulations, rules, or in this Guide shall be construed as imposing or undertaking such obligations or representations.

All inquiries regarding service requirements shall be directed to the Company's local Engineering Services Section. Inquiries regarding specific meter related requirements can be directed to the Company's local Metering Services Section. Any inquiries regarding the NEC or local codes shall be directed to the local inspection authority.

Mandatory rules of this document are those that identify actions that are specifically required or prohibited and are characterized by the terms **shall** or **shall not**.

This Guide is subject to amendment from time to time, and will be re-issued on an as needed basis. It is the responsibility of the user to obtain the current version. The current edition of this Guide supersedes all previous editions or versions.

The current edition of this Guide is available at https://www.firstenergycorp.com/service_requests/request-electrical-work.html. **Comments, corrections, and suggestions regarding this document should be submitted in writing to the Director, Operations Services at FirstEnergy Service Company, Energy Delivery Operations Services Department, 76 South Main Street, A-GO11, Akron, Ohio 44308.**

2.0 DEFINITIONS

Terms frequently used in this Guide are as defined below:

- **American National Standards Institute (ANSI):** ANSI is an independent administrator and coordinator of voluntary industry standards (www.ansi.org).
- **American Transmission Systems, Incorporated (ATSI):** ATSI is one of FirstEnergy's electric transmission subsidiaries.
- **Ampacity:** Ampacity is the maximum current, in amperes (amps), that a conductor can carry continuously under the conditions of use without exceeding its temperature rating.
- **Application for Service:** Application for service is a formal request submitted by the customer to the Company stating the customer's desire to obtain electric service at a certain time and location. Applications may be processed by e-mail, telephone, or fax.
- **Approved:** Work or equipment that is acceptable to the FirstEnergy Operating Company or to the Authority Having Jurisdiction (e.g., electrical inspector).
- **Buried Underground Distribution (BUD):** BUD is the electrical system in which the distribution lines and service conductors, with minor exceptions, shall be placed in underground conduits.
- **Central Business District (CBD) Network:** A CBD network is a specialized electrical underground system that serves a defined area commonly located in the heart of the city (a.k.a. downtown) that is typified with a high concentration of multistory commercial, retail, and office buildings.
- **Class of Service:** The characteristics of electric service described in terms of voltage, phase, frequency, and number of wires.
- **Clearance:** Clearance is a specified minimum distance between two objects (measured surface-to-surface) to assure adequate space for safety, security, or access.
- **Code:** The National Electrical Code (NEC), National Electrical Safety Code (NESC), or other electrical codes or regulations that are in effect and are applicable in the area served.
- **Company:** Refers to the FirstEnergy Operating Company (FEOC) operating in New Jersey – Jersey Central Power and Light (JCP&L).
- **Current Transformer (CT):** Current Transformer is a transformer whose secondary current is a precise fraction of its primary current (refer to the instrument transformer definition).
- **Customer:** Any person, partnership, association, corporation, or agency of municipal, county, state, or federal government receiving any service rendered by the Company at a contract location. This includes the party using the Company's service, or in applicable cases, the property owner or developer or any party working on behalf of the customer such as an engineer, builder, contractor, or developer.
- **Customer's Installation:** All wiring, conduit, meter socket, service disconnecting devices, appliances, lighting, and other equipment installed and/or owned by the customer on the customer's premises for the customer's use. The customer-owned electrical equipment is typically governed by the NEC.
- **Department of Environmental Protection (NJDEP):** Refer to www.state.nj.us/dep/.

- **Development:** A planned project, which is developed by a developer/applicant, for electric service set out in a recorded plot plan for the construction of single-family residences, detached or otherwise, mobile homes or apartment houses, and commercial or industrial buildings, that do not have electric service.
- **Distribution Lines:** Company lines, medium voltage and below, typically located in the public right-of-way in/or along streets, alleys, highways, or on private property for general distribution of electric service to customers.
- **Environmental Protection Agency (EPA):** The EPA is an [agency](#) of the [U.S. federal government](#) that protects human health and the environment by writing and enforcing regulations based on laws passed by Congress (www.epa.gov).
- **Federal Aviation Administration (FAA):** The Federal Aviation Administration is the national aviation authority of the United States. The FAA is an agency of the United States Department of Transportation and has authority to regulate and oversee all aspects of American civil aviation (www.faa.gov).
- **Final Grade:** Final grade shall refer to the eventual permanent ground level after all finished grading, paving, and landscaping is completed.
- **High-Leg:** On a four-wire, delta-connected system where the midpoint of one phase winding is grounded to supply lighting and similar loads, the conductor or busbar having the higher phase voltage to ground shall be durably and permanently marked by an outer finish that is orange in color or by other effective means. Such identification shall be placed at each point on the system where a connection is made if the grounded conductor is also present (Reference NEC Article 110.15 & 230.56).
- **Instrument Transformer:** An instrument transformer is a high-quality transformer that accurately reproduces in its secondary circuit, a current (CT) or voltage (VT) in proportion to the current or voltage in the primary circuit.
- **Institute of Electrical and Electronics Engineers IEEE):** IEEE is an organization composed of engineers, scientists, and students. The IEEE is best known for developing standards for the computer, electrical, and electronics industries (www.ieee.org).
- **Line Extension:** The overhead or underground facilities for the distribution or transmission of electrical energy to serve new customers or the enlarged load of existing customers, which are constructed by the Company as a specific project (a) on a public highway and/or (b) on a right-of-way over private or public land to serve one or more customers. Such an extension may be an addition to and/or upgrade of existing facilities or a new installation of facilities. A line extension originates at the pole or point at which it is connected to the existing facilities or where such upgraded facilities are required, and it extends to and includes (a) the most remote pole or point from which a "Service Drop" or "Underground Service Connection" is installed, or (b) to the point at which a "Service Lateral" originates.
- **Listed:** Equipment, materials, or services included in a list published by an organization (e.g., UL) that is acceptable to the authority having jurisdiction and concerned with evaluation of products or services, that maintains periodic inspection of production of listed equipment or materials or periodic evaluation of services, and whose listing states that the equipment, material, or services either meets appropriate designated standards or has been tested and found suitable for a specified purpose.
- **Meter:** Meter is a device for accurately measuring the electric power and energy consumed by a customer. The Company provides, installs, and maintains the meter.

- **Meter Socket:** A meter socket is a mounting device consisting of meter jaws, connectors, and enclosure for receiving a socket-type meter.
- **Mobile Home:** A mobile home is a manufactured home that complies with the mobile home definition in the NEC.
- **National Electrical Code [NFPA 70] (NEC):** The NEC is a set of national regulations that govern the installation of electrical equipment located on the customer's side of the point of delivery.
- **National Electrical Safety Code [IEEE C2] (NESC):** The NESC is a set of national regulations that govern the installation, operation, and maintenance of the electric supply and communication lines. NESC applies to equipment located on the electric utility's side of the point of delivery.
- **National Fire Protection Association (NFPA):** NFPA is a United States trade association, (albeit with some international members), that creates and maintains private, copyrighted, standards and codes for usage and adoption by local governments (www.nfpa.org).
- **New Jersey Board of Public Utilities (NJ BPU):** The NJ BPU is the state regulatory agency that has jurisdiction over the New Jersey electric utilities, including JCP&L.
- **Notification or Design Request (DR) Number:** A unique number assigned by the Company used for designing, tracking, constructing, and billing of a specific job.
- **Occupational Safety and Health Administration (OSHA):** OSHA is a federal government agency in the Department of Labor that adopts and enforces regulations to maintain a safe and healthy work environment (www.osha.gov).
- **Point of Delivery:** Point of delivery is that point where the Company's electrical equipment or conductors connect to the customer's electrical conductors or equipment of the facility. The "point of delivery" is commonly known as the "point of service."
- **Raceway:** A raceway is an enclosed channel used for holding wires or cables.
- **Select Backfill:** Select backfill is soil or sand that is free from sharp objects, rocks, scrap building material, or corrosive material used to backfill a trench for conduit.
- **Service:** Delivering electric energy from the Company's distribution system to a single point of delivery at a customer's premises
- **Service Drop:** A service drop is a Company-owned set of overhead conductors (including the connectors) that extend from the last pole or other aerial support to the customer-owned service entrance conductors at the building or other structure.
- **Service-Entrance Conductors, Overhead System:** The service entrance for an overhead system is the group of service conductors between the terminals of the service equipment and a point usually outside the building, clear of building walls, where joined by tap or splice to the service drop.
- **Service-Entrance Conductors, Underground System:** The service entrance for an underground system is the group of service conductors between the terminals of the service equipment and the point of connection to the Service Lateral.

- **Service Equipment:** Service equipment is the necessary electrical equipment, usually consisting of circuit breaker or switch and fuses, and their accessories, located near point of entrance of supply conductors to a building, and intended to constitute the main control and means of cutoff for the supply to that building.
- **Service Lateral:** A set of underground service conductors extending from the Company's electric distribution facilities, including any risers at a pole or other structure or from transformers, handholes, or pedestals to the first point of connection to the service entrance conductors in a terminal box, meter, or other enclosure with adequate space, inside or outside the building wall.
- **Service Territory (electric):** Service territory is a defined area in which a given electric utility can legally provide service. The area is governed by a set of agreements and maps on file with the NJ BPU.
- **Tariff:** Tariffs are a set of rate schedules, rules, and regulations for providing electrical service throughout an Operating Company's service territory. The Company Tariffs are filed with, and approved by, the NJ BPU.
- **Temporary Service:** Service supplied for construction purposes or of limited duration, typically no longer than one year, and delivered to a single point through one meter.
- **Underwriters Laboratories (UL):** Underwriters Laboratories is an independent product testing and certification organization (ulstandards.ul.com).
- **Uninterruptible Power Supply (UPS):** An uninterruptible power supply (e.g., battery or flywheel backup) is an electrical apparatus that provides emergency power to a load when the input power source is not available.
- **Voltage Flicker:** Voltage flicker is defined as a sudden fluctuation in system voltage, which can result in objectionable changes in the light output of electric lamps.
- **Voltage Transformers (VT) (a.k.a. Potential Transformers (PT)):** A VT is a parallel-connected type of instrument transformer, used for metering of customer's load. They are designed to present negligible load to the supply being measured and to have an accurate voltage ratio to enable accurate metering.

3.0 GENERAL INFORMATION

3.1 Availability & Character of Service

The information contained in this Guide refers predominately to service requirements at the usual voltages for residential and general service installations. Service installations greater than 600 volts are not covered in this Guide. The customer shall contact the Company with questions regarding service at voltages greater than 600 volts. The Company's rules, regulations, and Tariffs, shall apply to the installation and use of the service furnished.

The customer shall consult the Company to determine whether the desired service is available in the desired location. This request should be made well in advance of the date actual service connection is required. If service is available, determine its exact character; that is, the voltage, single-phase, three-phase, network, etc., since these characteristics may vary in different locations. These characteristics are especially important for the proper operation of motors and other major equipment. Normally, this information will be provided in writing from authorized Company personnel to avoid possible misunderstanding. The standard service voltages, which may be available, are listed below:

Phases	Configuration	Voltage (V)
Single-Phase	2-wire	120 V
	3-wire	120/240 V
	3-wire	120/208 V
Three-Phase	4-wire Delta	240/120 V
	4-wire Wye	208Y/120 V
	4-wire Wye	480Y/277 V

The Company may, if requested, advise and assist existing or prospective customers in the general selection of electrical equipment, facilities, capacitors, and protective coordination. The Company will provide information concerning rates.

3.2 Application for Service

The customer shall make applications for each class of service for new, upgraded, or relocated, permanent or temporary service or when the customer identity changes. Before service is supplied by the Company, the customer shall complete the application process. Application may be submitted via the telephone, fax, or the Internet to a Company business office; and should be submitted **well in advance** of the date, actual service is required. The appropriate telephone and fax numbers and Internet address are listed below:

Company	Telephone Number	Fax Number
Jersey Central Power & Light	800-662-3115	877-289-3674

A copy of the Fax Application Builder Install Request Form 1046 can be found in Appendix 1. Application for electric service can be found online at https://www.firstenergycorp.com/service_requests/request-electrical-work/new-upgrade-service.html.

After the necessary customer information is received and all customer requirements are met, the typical minimum lead-time to complete Company work is as follows:

Type of Extension	Lead-time
Residential Service Drop / Lateral	4 weeks
Residential Line Extension	8 weeks
Commercial/Industrial Drop / Lateral	6 weeks
Commercial/Industrial Line Extension	16 weeks
Residential/Commercial/Industrial Development	16 weeks

These lead-times should allow service to be established as near to the desired time as practicable. Your Company representative can provide additional information on service details, work scope, and timelines.

The following information is required from the customer. The Company cannot begin work until the necessary information is provided:

1. Service address (including nearest intersecting roads),
2. Lot number (and block number where applicable) and subdivision name,
3. County/Tax District name,
4. Contact persons (developer/architect, electrical contractor, etc.) names, addresses, mailing addresses, e-mail addresses, and their telephone/fax numbers,
5. Owner name, address, mailing address, e-mail addresses, and telephone/fax numbers,
6. Person to be billed (including their Tax ID or Social Security Number) and their mailing address,
7. Type of electric service required – overhead (OH) or underground (UG),
8. Service voltage desired (e.g., 120/240 V single-phase, 208Y/120 V three-phase, or 480Y/277 V three-phase),
9. Amp rating of the main disconnecting means,
10. If Residential: Determine heating fuel (oil, gas, electric, etc.), water heater fuel, electric range, air conditioning (size, if yes), total square feet, preferred electric meter location, and number of services. Also, determine if any other large or special electric loads (e.g., welder or kiln) will be used.
11. If General Service (Commercial/Industrial): Electric one-line, load information (nameplate data) for all single-phase motors larger than five hp, three-phase motors larger than ten hp, tons of air conditioning, kW process heat, kW lighting, kW computers, presses, welders, x-ray machines, and other equipment having an in-rush current or other potentially disturbing characteristic, as well as other unusual loads.
12. For Developments: An approved plot plan drawn to scale showing crossroads, proposed structures, wells, septic, decks, drives/parking areas, pools, ponds, preferred service route, planned major landscape changes and future development areas, and any other known or proposed obstructions that may interfere with the Company supplying electric service. Electrical loading information will be required for the design. The customer/developer shall provide an executed Company standard blanket utility easement for their developments prior to individual lots being sold or the installation of any Company electrical facilities.
13. Date that the electric service is wanted.
14. For interconnected generation (solar, wind, etc.) refer to Section 8.6.

The customer/developer shall provide the Company with a local Planning and Board of Adjustments approved copy of the customer plot plan showing the locations of buildings, lot numbers, property lines, streets, parking lots (if applicable), easements, underground facilities, obstructions, or utilities (if known), as well as proposed electric service entrances and metering locations. The customer/developer shall stake the locations of all proposed

buildings, the lot lines, and driveways so that the Company can decide where to install its facilities.

The Company may refuse to provide electric service, consistent with New Jersey law and the Company Tariffs.

3.3 Line Extensions

To avoid delay, customers desiring service beyond the existing electric distribution lines of the Company the customer shall contact the Company regarding the conditions under which service will be extended and make the necessary arrangements before wiring installations are commenced. Depending on the situation and the nature of the facilities desired or required, the customer may be responsible for some of the preparation and clearing of the property to clear trees and vegetation or to provide access to Company vehicles and personnel, rights-of-way acquisition, easements, permits, construction costs, and, for underground extensions, trenching and backfilling. Note: difficulties in obtaining private rights-of-way and governmental permits (e.g., FAA, Army Corp of Engineers, or EPA permits) may result in significant delays to the construction.

Cost contributions are defined in the Company's Tariffs. The Company can provide the terms and conditions of extending its facilities to supply service upon request.

3.4 Number of Services & Meters

The Company will connect only one set of service conductors to each separate dwelling (single or part of a multiple unit), apartment, farm, commercial or industrial establishment as one customer through one meter or one unified set of meters. Therefore, customers will typically be served at one voltage at either single-phase or three-phase, but not both. If the service location is occupied by several customers, each customer may have one meter for each class of service rendered. All customer installations shall conform to the NEC and local codes. Parallel runs of service cable extending from Company-owned equipment to multi-position meter centers should be avoided and require prior Company approval.

Upon request and if Company approved, a second service may be permitted based on the exceptions listed in NEC Article 230.2. A permanent plaque or directory shall be installed at each service drop or lateral, or at each service equipment location. It shall denote all other services on or in that building or structure, and the area served by each.

3.5 Use of Service by Customer

Customer-owned wiring and electrical equipment shall be sufficiently sized (per NEC) and listed for its intended application.

The customer-owned wiring and equipment including the self-contained meter socket shall be installed and maintained by the customer, at the customer's expense, and in the condition required by the insurance providers, governmental authorities having jurisdiction, and Company requirements.

It is necessary for the protection of the customer that all the customer's electrical work, wiring, and apparatus be installed and maintained by a qualified electrician. A qualified electrician is one who has the skills and knowledge related to the construction and operation of the electrical equipment, systems, and installations and has received safety training to recognize and avoid the hazards involved.

Company-owned facilities, which are used to provide electrical service, have limited capacity and may be damaged if overloaded. Therefore, the customer shall notify the

Company prior to increasing energy usage or altering service equipment at the service location so that Company facilities of proper capacity may be provided. Failure to properly notify the Company of such additional requirements may result in an extended outage or in damage to the customer's and/or Company's equipment. The customer shall be responsible for all expenses and/or damages to the customer-owned and/or Company's facilities resulting from failure to give proper notification. The customer may also be subject to charges by the Company for work required to meet the customer's alterations. The customer should contact the Company for information concerning charges for such work in advance of undertaking such work.

Additionally, for a customer owned and installed underground service lateral, if a customer increases the service lateral length or load, the customer is responsible to verify that ampacity, voltage drop, and voltage flicker limitations are suitable to serve the load. If load is being added, the customer shall advise the Company so that the Company can ensure all Company associated facilities are adequate to serve the increased load.

The service shall not be used in any manner that disturbs or impairs the operation of the Company's system or that will interfere with service to other customers. If such interference does occur, due to the use of apparatus installed upon a customer's premises, such customer shall either discontinue the use of such apparatus or make the necessary revisions to the apparatus, including additional equipment that may be required to alleviate such conditions, or the Company shall have the right to discontinue service with respect to the offending condition.

For proper service, the wiring on all single- or three-phase installations shall be arranged so that the load, to the extent possible, is balanced among each phase-wire. For three-phase services, the load imbalance between phases shall not be greater than 10 percent of the customer's peak load.

3.6 Interruption & Liability*

As set forth in the Company's Tariffs, the Company will use reasonable diligence to maintain a regular and uninterrupted provision of Service, but should the Service be interrupted, curtailed, suspended, or discontinued by the Company for any of the reasons set forth in Section 7 of the Tariff, or should the Service be interrupted, curtailed, deficient, defective, or fail by reason of any natural disaster, accident, act of a third party, strike, legal process, governmental interference or by reason of compliance in good faith with any governmental order or directive, notwithstanding that such order or directive subsequently may be held to be invalid, or other causes whatsoever beyond its control, the Company shall not be liable for any loss or damage, direct or consequential, resulting from any such suspension, discontinuance, interruption, curtailment, deficiency, defect, or failure. The Company will not be responsible for any damage or injury arising from the presence or the use of Service provided to the customer by the Company after it passes from the Company's facilities to the Point of Delivery, unless such damage or injury is caused by the sole negligence or willful misconduct of the Company. Any damage or injury arising from occurrences or circumstances beyond the Company's reasonable control, or from its conformance with standard electric industry system design or operation practices, shall be conclusively deemed not to result from the negligence of the Company. Due to the sensitive nature of computers and other electric and electronically controlled equipment, customers, especially three-phase customers, are advised to provide their own protection against such variations in power and voltage supply.

* To the extent this provision contradicts any terms in the Company's current applicable Tariff, the Tariff provision shall govern.

3.7 Final Connections

Residential/Commercial - All final connections for temporary or permanent service, between the Company's facilities and the customer's wiring, shall be made by the Company. Refer to Exhibit 1 to determine party responsible for supplying connectors.

The Company shall assume no responsibility for changing the location of its service drop attachments if an improper location is chosen without consultation with the Company or if the Company designated acceptable location is not utilized.

If it becomes necessary for the Company to change the location of its facilities or the character of the electrical service to comply with the requirements of governmental agencies, codes, or other causes beyond the Company's control, the customer shall, at the customer's expense, change its facilities (e.g., customer's wiring, service entrance, and utilization equipment) to accommodate the Company changes.

Service entrance equipment interrupting capacity shall meet or exceed the maximum available fault current. The customer should contact the Company to determine the estimated available fault current and subsequently determine the minimum required equipment rating.

3.8 Grounding/Bonding

The customer shall install the service entrance so that all grounding/bonding requirements of the NEC are met or exceeded. The customer's service entrance shall have a minimum of two driven ground rods (8 feet minimum length) separated at least six (6) feet apart. The grounding electrode conductor shall be continuous from the service entrance main disconnect to both driven ground rods. Refer to Exhibit 5.

3.9 Electrical Inspection

In addition to complying with the NEC, the service entrance shall be in accordance with the requirements of the Company and such state and local inspection requirements as may be in force at the time such installation is made.

Before a new, temporary, upgraded, modified, or repaired service entrance to a customer service location is energized, the Company should verify that the installation of the customer's meter socket and associated equipment has been inspected and approved by the local or state electrical inspection authority.

When the Company deems that a potentially hazardous condition exists, it may refuse to energize the customer's service until the customer remedies any deficiencies.

Service Restoration - Fire or Flood: If the meter or service entrance equipment has been subjected to fire or flood conditions, an inspection from the above referenced authority, and an inspection approval card, when applicable, from a Fire Marshall or equivalent applicable authority is required before service will be restored.

Service Restoration – Disconnected Services: If a service has been disconnected (i.e., service wires cut, or meter blocked) for twelve (12) months or more, and no work has been done on the electrical service, a licensed electrician shall perform a safety inspection. The licensed electrician shall provide the Company with a signed letter on the electrician's company letterhead stating that the service has been inspected and is safe to have power restored. If work has been done on the electrical service, a new inspection by the local or state inspection authority is required before the service is reconnected.

Inspection approval cards (Cut-in Cards) shall be faxed or emailed to the Company only by the applicable electrical inspection authority.

3.10 Meter & Seal Tampering

Tampering means to interfere with, damage, or by-pass a utility meter, conductor, or attachment with the intent to impede the correct registration of a meter or the proper functions of a conductor or attachment so far as to reduce the amount of utility service that is registered by the meter. Tampering includes the unauthorized reconnection of a utility meter, conductor, or attachment that has been disconnected by the utility.

In the event of tampering, or theft of service by the customer, consumer, or other person, the Company will comply with the provisions of New Jersey law and the Company's Tariff.

Breaking of meter seals and/or removal of meters by customers, electrical contractors, or other unauthorized personnel, without prior Company permission, is prohibited and may be subject to penalties.

3.11 Meter Attachments

No attachments by the customer or the customer's agent are permitted to Company-owned meters, meter circuits, or ancillary meter devices. This includes grounds attached to meter sockets from the telephone or CATV companies.

The following are considered **un-authorized** connections when not made, installed, or performed by a FirstEnergy employee or an authorized representative of FirstEnergy:

- Any adapter placed between the revenue meter and meter socket.
- Attachments or connections to the potential or current circuits of transformer rated revenue meters.
- Any connection inside the meter socket.

The Company will supply, upon request by a customer, kWh and/or kvarh pulses from a Company-owned meter for demand control purposes. A cost will be assessed to the customer in accordance with specific Company charges for this connection.

3.12 Disconnect/Reconnect of Existing Service (Upgrades/Maintenance)

When upgrading or performing maintenance on an existing overhead service entrance, the customer shall first contact the Company's Customer Contact Center to obtain guidance and to determine applicable fees. Qualified electricians may be permitted to disconnect/reconnect overhead single-phase, self-contained 200-amp or less service drops at the weatherhead, with local Company approval. Customer shall contact the Company for approved connectors. Electricians are not permitted to disconnect underground services. All overhead and underground electrical upgrades shall be inspected prior to reconnection (refer to Section 3.9).

The Company has an "Agreement for Temporary Uninspected Service," which is only applicable for single-phase overhead services 200 amps or less. This form provides a means by which a service can be re-energized before it has been inspected. This waiver cannot be utilized in conjunction with new, temporary, underground, 400 amp or greater services, three-phase services or for service restoration following a building fire.

The Company reserves the right to update meter and service locations at the time of upgrade for the purposes of applying current clearance requirements and meter location

guidelines. Service equipment installed without approval or incorrectly located shall be subject to change or relocation.

3.13 Locating Underground Electric Facilities

State laws require that an excavator notify the One-Call System in advance of digging. Trained personnel will locate and mark electrical underground facilities.

To simplify the "*Call before You Dig*" calling process, the FCC has designated **811** as a nationwide telephone number. In New Jersey, the 811 number will automatically transfer a caller to the NJ One-Call system. To obtain more information or to enter requests for locate tickets visit their website at www.call811.com/state-specific.aspx.

For projects in New Jersey (JCP&L) - Call the ***New Jersey One-Call System*** or use **ITIC (Internet Ticket processing tool and free service for professional excavations)** at least three (3) full working days but not more than ten (10) working days before digging at 811 or (800) 272-1000 to request that a location be marked. The One-Call Center is open 24 hours/day and 365 days/year. Additional information can be obtained at www.nj1-call.org. Requests for locate tickets can also be entered through the website.

3.14 Required Clearance from Markout for Digging in the Vicinity of Company Underground Electric Facilities

After the underground facilities have been located (refer to Section 3.13), hand digging is required within a tolerance zone, which is 24 inches from all sides of the markout stake, flag, or hash mark and the closest edge of any parallel trench dug by another party adjacent to the Company's underground facilities.

3.15 Buildings/Structures & Swimming Pools/Spas/Hot Tubs near Electric Lines

Buildings and structures (including signs, flagpoles, light standards, antennas, or aerials) shall not be installed under, over, or in such proximity to electric lines where they could be raised into or fall onto such electrical lines or where they cannot be safely maintained without risk of contact with such electric lines. Antennas, aerials, or any device shall not be attached to a Company pole or any pole supplying electric service to the customer without specific Company authorization. NESC/NEC clearances shall be maintained. The customer should consult the Company for specific clearance requirements and possible easement restrictions.

The Company does not recommend placing a swimming pool, spa, or hot tub under its existing service drop or other electrical conductors. Specifically, a swimming pool shall not be located within a minimum of twenty-five (25) feet of the Company's overhead conductors, measured horizontally from the edge of the pool. The clearance between the Company's underground cables (primary and secondary) and the edge of the pool or its auxiliary equipment shall not be less than five (5) feet (measured horizontally).

3.16 Attachments on Company-Owned Facilities

Under no conditions shall the customer's facilities or other equipment such as signs, posters, banners, or notices be installed on the Company's poles or other property unless special arrangements have been made with the Company prior to installation. The customer shall contact the Company for details. The Company does not permit painting of Company-owned equipment by the customer.

3.17 Clearance of Trees from Power Lines

Trees & Transmission Rights-of-Way

- The Company's long distance, high voltage transmission lines provide power to thousands of our customers and are vital reliability links with other utilities across the country. Keeping Company transmission rights-of-way free of unwanted trees and other vegetation is very important to providing reliable and safe electric service.
- All vegetation on or adjacent to the right-of-way shall be low-growing, compatible species. Additional information on correct tree selection can be found at www.firstenergycorp.com/trees. Then click on "Maintaining Transmission Rights-of-Way" on the left side of the page.

Trees & Distribution Lines

- Tree related incidents are a major cause of electrical outages. Therefore, care must be exercised when planting trees to make certain that they will not interfere with distribution power lines, even when the trees reach full, mature growth. Trees that grow more than 25-feet tall should not be planted within 20 feet of distribution power lines.
- Additional information on correct tree selection can be found at www.firstenergycorp.com/trees. Then click on "Selecting the Right Tree for the Location" on the left side of the page.

3.18 Access to Customer's Premises

The customer or, if applicable, the landlord, shall grant the Company's employees and authorized agents access to the customer's premises at all reasonable hours for the purposes necessary regarding supplying and maintaining service, and upon termination of service, to remove any or all Company facilities. In the event of an emergency, the Company's employees and authorized agents shall have access to customer's premises at any time. Authorized Company employees are furnished with a photo identification badge with the Company logo. This badge is available upon request when Company employees are visiting the customer's premises.

The customer shall not block access to Company equipment by installing any obstructions (including vegetation, fences, or walls) that prohibit access to Company equipment. The customer shall be responsible for all expenses and/or damages for blocking access to any Company equipment. The customer shall contact the Company for details.

If a customer or a property owner fails to grant the Company access for reasons described above, and if legal action is necessary to secure such access, the Company may collect from the customer or the property owner all costs incurred to secure such access.

3.19 Company's Equipment on Customer's Premises

The customer shall provide without cost to the Company, satisfactory right-of-way and a suitable location for the Company's equipment, which is necessary for supplying service to the customer on the premises owned or leased by the customer.

The customer shall provide truck access to all poles, transformers, and other large, heavy equipment installations designated by the Company. The truck access drive shall be a minimum of twelve (12) feet in width, installed to withstand a 40,000-pound line truck and associated equipment (crane, flatbed trailer) including the weight of the piece of equipment, and be located within ten (10) feet of the designated piece of equipment. All access drives

shall be permanent, continual, maintained, and visible for all-season access. The customer shall contact the Company for details.

3.20 Requested Protection for Persons Working Near Company Facilities

The customer or contractor shall provide reasonable advance notification to the Company when proposed work is to be performed within such distance of the Company's facilities that may be hazardous to the person(s) performing the work, or may otherwise be in violation of federal or state regulations. Upon request by the customer or contractor, the Company may cover, de-energize, or temporarily move its facilities in the work area, as it deems appropriate. The Company may bill the notifying customer or contractor for the total cost of performing such work. If circumstances require Company work outside the normal work hours, costs for the overtime period will be computed and billed at overtime rates. The customer or contractor will be required to sign an Acknowledgement/Indemnification Agreement. The customer should contact the Company for details.

4.0 TEMPORARY SERVICE

When requested by the customer, the Company may provide a temporary overhead or underground service. The service entrance, meter, and other wiring on temporary indoor or outdoor installations are installed in the same manner as for permanent installations. When no building is available for the installation of service conductors and service equipment, the customer shall consult the Company's local office for recommendations as to suitable support for the service drop or termination of service lateral, meter, and weatherproof housing for the service equipment. Refer to Exhibit 3 (overhead) and Exhibit 4 (underground) for typical requirements for temporary service structures.

An application for service is required for any temporary service. Refer to "Application for Service" Section 3.2 for additional information regarding temporary service.

Temporary electric service installations should not exceed one year.

Per the Company Tariffs, the service drop or service lateral shall be extended from the existing overhead secondary, pad-mounted transformer, pedestal, or handhole. The customer shall contact the Company for applicable fees and limitations.

5.0 PERMANENT SERVICE – OVERHEAD

5.1 General

The customer, architect, or contractor shall contact the Company prior to the start of construction to ascertain the point of attachment for the service drop, type of metering facilities, costs, and other information relative to the customer's service installation. Where overhead distribution facilities are available, the Company will install a suitable overhead service drop to a point of attachment on the customer's premises as designated by the Company. The point of attachment will be located to provide the least cost and shortest practicable service drop distance to the Company's facilities. The point of delivery is the connection of the overhead service drop to the customer's service entrance conductors/equipment. The Company shall provide, own, install, and maintain the service drop conductors from the overhead distribution system to the point of delivery.

The customer shall provide and maintain a safe, substantial support for the Company's overhead service conductors. The service drop support shall be installed in such a manner to maintain the clearances specified in Section 5.2 and Exhibit 2. The customer shall furnish, install, and maintain the service bracket necessary for the attachment of the

Company's service drop conductors (refer to Exhibit 7). In cases where a service mast is required, only power service-drop conductors shall be attached to the service mast.

In general, service entrance conductors should be installed on the outside of the building to be served.

When the customer's load necessitates parallel service entrance conductors, the customer shall furnish and install suitable equipment (Company approved) to allow the Company to connect the service drop with a single set of attachments. The customer shall minimize the number of conductors to reduce both the electrical connections and the complexities inherent in such installations.

Refer to Section 3.8 and Exhibit 5 for grounding requirements.

Refer to Exhibits 1, 2, 5, 6, 7, 11, and 14, for typical installations.

5.2 Service Drop Clearances

The point of attachment of the service drop to the building shall be such that the drip loop shall not be less than ten (10) feet above the ground. In addition, the point of attachment shall be located to allow the customer to comply with NEC/NESC clearance requirements and the Company to comply with NESC clearance requirements. The attachment should not be more than 24 feet above ground unless a greater height is necessary for proper clearances.

The service drop should not be installed over buildings or swimming pools, spas, or hot tubs.

Some of the more common NESC/NEC minimum clearance requirements are listed below and most are illustrated on Exhibit 2.

- Twelve (12) feet for a multiplex service or twelve feet-six inches (12.5) for an open wire service above sidewalks and spaces accessible to pedestrians,
- Eighteen (18) feet above roads, streets, alleys, driveways and other areas subject to truck traffic,
- Two (2) feet above communication lines (e.g., telephone or CATV) at any point of crossing, and one (1) foot at the point of attachment to the building,
- Three (3) feet between service drop conductors (attached to the buildings) and windows, doors, porches, and fire escapes,
- Five (5) feet between service drop conductors (not attached to the buildings) adjacent to windows, awnings, fire escapes and other building projections,
- Three and one-half (3.5) feet between the service drop conductors and the roofs of projections that are not accessible to pedestrians.

The service drop shall not cross over property other than that of the customer being served unless the Company has been provided an executed right-of-way agreement or permit from the owner of such property.

5.3 Mobile Homes or Mobile Home Parks

The Company has an established policy for extending electric service to mobile homes and may assist in planning the installation of mobile home parks. The Company's Tariffs, as filed with the State, shall apply to the installation and use of the service furnished.

Meter and service facilities for a mobile home or mobile home parks will be determined on a case-by-case basis.

For non-subdivision type mobile home parks, the Company recommends a group meter arrangement (Refer to Exhibit 14 for typical installations). Mobile home park operators shall be responsible for the effective grounding of all mobile homes. Additional information is available upon request from the Company.

5.4 Travel Trailer or RV Parks

Typically, electric service requirements for travel trailer or recreational vehicle (RV) parks will be served through one metering point (refer to Section 3.4). The customer should contact the Company for additional information.

5.5 Central Pole Distribution Metering Service

A farm or commercial operation with specific load requirements may have service from a customer-owned central distribution service drop. The customer shall furnish, install, and own a pole centrally located with respect to the various buildings to be served. The central distribution pole in each case shall be a dead-end pole, as far as the Company lines are concerned, without any unmetered service extending beyond it.

If it is impractical to serve all farm buildings from a centrally located pole due to distance between buildings or the necessity of crossing public roadways, the Company will provide services and meters for separate accounts for each building, as conditions require.

For details, refer to Exhibit 11 for overhead and Exhibit 12 for underground central distribution service installations.

6.0 PERMANENT SERVICE – UNDERGROUND

6.1 General

The customer, architect, or contractor shall contact the Company, prior to the start of construction to ascertain from the Company the point of attachment for the customer-owned service lateral. The Company will designate a location, as close as practical, for the point of delivery.

Based on an engineering evaluation, a Company representative will determine the pole, transformer, handhole, pedestal, or manhole location to which an underground service lateral may be extended. Refer to Exhibit 1 for specific customer and Company installation/ownership responsibilities for each item associated with the service and for determination of the point of delivery. The Company retains ownership of conductors and equipment it supplies. In special situations, if the point of delivery varies from Exhibit 1, the customer's installation documents will clearly designate the equipment ownership and the exact point of delivery.

An individual residential customer, who is not located in a development (other than a manhole/duct system), may elect to install the underground service lateral at their cost and expense in accordance with the Company's specifications. At the customer's option, the Company will install and connect the underground service lateral, upon the customer making a non-refundable contribution. In either case, the Company will assume ownership and responsibility for maintenance (per Tariff - Part II, Section 9.03). If an existing residential customer chooses to relinquish ownership of the customer-owned service, which was built prior to January 17, 2007, the customer shall contact the Company for details and conditions.

For residential developments, the Company shall install and maintain the service lateral conductors.

For commercial service, the customer shall own, install, and maintain the service lateral conductors (per NEC) to Company specifications.

The contractor, developer, or customer shall provide the trenching, backfilling, conduit, and a clear, graded path for installation. The customer shall install the conduit according to Exhibit 24. New and upgraded services shall be installed in conduit (minimum 3-inch Schedule 40 PVC electrical grade). The conduit shall run the entire length of the trench and have a 1/4-inch nylon or polypropylene pull line installed inside the conduit.

Before excavating, refer to Sections 3.13 and 3.14 for locating and marking underground facilities. Refer to Exhibit 24 for general trench details for conduit installations. Since the actual trench dimensions may vary by changes to final grade, soil condition, location, and other factors, it is necessary to confirm specific trench dimensions with the Company representative.

The customer shall provide a trench that is well tamped. Settlement and frost heave of trench backfill can result in damage to service cable, meter sockets, and house siding. The customer shall install ground movement protection per NEC 300.5 (J). The Company requires a slip-joint conduit product, available from several vendors and suppliers (refer to Exhibit 8). Additionally, sufficient cable slack or a slack box should be provided by the customer to allow for cable movement.

The customer installed underground service conductors shall be of sufficient length to allow the Company to complete the final electrical connections. The qualified electrical contractor shall run the service lateral to within eighteen (18) inches of the designated Company pad-mounted transformer or pedestal/handhole or install the first ten (10) feet up the pole for a vertical riser installation. The contractor shall leave a sufficient amount of coiled cable, temporarily attached to pole, to complete the termination of the cables by the Company – ten (10) feet minimum for pedestals, handholes, or pad-mounted transformers, or thirty (30) feet minimum (or sufficient cable to reach Company's secondary conductors) for vertical risers. The customer shall contact the Company after the customer's electrical work is complete.

If the customer's facility is part of a designated network system, one conventional underground service connection to each contract location will be provided by the Company without cost to the customer. The service connection shall terminate at a point not more than 30 feet from the curb, measured at right angles to the curb, nearest the point of connection to the customer's facilities. The customer shall contact the Company for network installations.

The customer shall be responsible for connecting all service entrance conductors to any form of customer-owned disconnecting devices or equipment. The Company will be responsible for providing all connectors and making all connections to its power transformers, manholes, handholes, and pedestals regardless of whether involved conductors are Company or customer owned.

Refer to Section 3.8 and Exhibit 5 for grounding requirements.

No fence, guardrail, wall, or other obstruction shall be placed near pad-mounted equipment (e.g., transformers, handholes, pedestals, switchgear) that would limit the Company from performing maintenance or repair on the equipment. This includes any tree, shrub, bush, or other vegetation that would have to be removed to operate, maintain, or replace equipment. The minimum clearance is three (3) feet from the back and sides, and ten (10) feet from the front of all pad-mounted equipment or any pad-mounted switchgear doors.

Refer to Exhibits 22 and 23. Additionally, a customer shall not cover (even partially) any of these devices with plants, mulch, dirt, rocks, artificial rocks, or other landscaping as this prevents them from being quickly located, safely operated, as well as accelerating their corrosion. Company shall not be responsible for replacing shrubs, plants, fences, wall screenings, or other obstructions that need to be removed for maintenance or restoration work.

6.2 Underground Services from Overhead Lines

Refer to Exhibits 8, 9, and 10 for typical installations.

When it becomes necessary for the Company to replace a pole, upon which a customer-owned underground service lateral terminates, the necessary changes to the underground service conductors shall be made by the customer at the customer's expense. (Some exceptions may apply in certain cases involving governmental roadway improvement projects.)

6.3 Underground Services in Underground Residential Areas

For single-phase customer-owned underground services at 400 amps or less, the customer shall install only one set of service cables sized for the expected load. Multiple or parallel sets of cables are not acceptable for services at 400 amps or less. Refer to Exhibit 1 and Exhibit 8.

For services greater than 400 amps, the customer shall consult the Company as soon as possible during the building design stage to discuss the multiple or parallel cable service requirements.

Due to connector physical limitations, cable size shall be limited to 750 kcmil when terminating in a handhole, pedestal, or single-phase pad-mounted transformer.

6.4 Underground Services in Underground Commercial Areas

The customer shall provide the Company with suitable space at a location designated by the Company to accommodate the necessary transformation and switching equipment required to supply the customer's load. Space requirements may vary depending on the customer's load and service requirements, as well as the availability of Company facilities in the area. It is therefore imperative that the customer contacts the Company as soon as practical in the customer's electrical design/planning stage to ensure that appropriate accommodations can be made for the required Company facilities.

When no suitable outdoor location is available, other options may be considered. Those options will require written approval from the regional Engineering Services Manager. The Company's equipment shall be accessible at all times. Special design requirements shall be adhered to so that the appropriate safety, maintenance, and operating conditions can be satisfied. As soon as possible during the building design stage, the customer shall consult the Company to discuss any special needs and design specifications (Company, OSHA, NESC, NFPA, NEC, etc.).

Due to connector physical limitations, cable size shall be limited to 750 kcmil when terminating in a handhole, pedestal, or in a single-phase pad-mounted transformer and limited to 1000 kcmil (maximum 8 conductors per phase) or 750 kcmil (maximum 16 conductors per phase) when terminating in a three-phase pad-mounted transformer.

For underground services at 400 amps or less, the customer shall own and install only one set of service cables sized for the expected load. Multiple or parallel sets of cables shall

not be acceptable for services at 400 amps or less, unless prior written agreement is made with the Company.

For services greater than 400 amps, the customer shall consult the Company as soon as possible during the building design stage to discuss the multiple or parallel cable service requirements.

Where a service raceway or duct enters from an underground distribution system, the customer shall seal the end within the building with suitable compound to prevent the entrance of moisture (water) or gases. All spare or unused ducts shall also be sealed.

Refer to Exhibits 15, 16, 18, 19, 20, and 21 for typical installations.

6.5 Underground Services in Central Business District Network Areas

The customer shall contact the Company for specific network requirements. All services shall originate from manholes or handholes. No service shall be energized directly from a transformer vault (exception – spot networks at 480Y/277 V).

6.6 Transformer Foundations & Vaults

The customer shall provide a suitable above ground external site to accommodate a pad-mounted transformer. The site shall have compact, level ground, and not subject to flooding or pooling water. The area selected should avoid high contamination areas and areas subject to vehicle damage (e.g., delivery trucks, garbage trucks, snowplows, large farm equipment, etc.). The provided area shall be of sufficient size to accommodate the installation, removal, maintenance, and upgrades in a safe manner.

For single-phase installations, the customer shall provide the excavation, and provide and install the base material (per Exhibit 29). The Company shall provide and install all single-phase box pad foundations unless arrangements are made for the customer/developer to install them.

For three-phase installations, the customer shall provide the excavation and provide and install the base material, grounds, and a pre-cast box pad or concrete transformer pad in accordance with Exhibits 25, 26, 27, and 28.

If such a site is not available, alternate options will be evaluated for approval by the regional Engineering Services Manager. If a transformer vault is the only option available, the vault shall be furnished and maintained by the customer on the customer's premises at the customer's expense, in accordance with national, local, and Company requirements.

Transformer vaults may contain only the supply transformers and associated primary equipment and, where necessary, customer-owned secondary bus. Under no conditions are service-meters, customer-owned fuses, switches, or other customer-owned equipment to be installed therein. Secondary devices and service meters, however, should be installed as near the transformer vault as practicable, but not in it.

For certain high usage customers, current and voltage instrument transformers constitute a part of the Company's metering equipment. For distribution secondary voltages, they are usually installed in instrument transformer enclosures. For vaults in buildings, these enclosures are located outside the transformer vault, preferably on the vault wall, unless some other more desirable location is approved by the Company. Refer to Exhibit 19 and 20 for a typical metering installation with current transformers.

6.7 Mobile Homes or Mobile Home Parks

Refer to Exhibits 13 and 14 for typical installations.

7.0 METER INSTALLATIONS

7.1 General

Meters and meter testing devices are furnished, installed, and maintained by the Company. These devices are Company-owned and shall not be moved, or the connections changed by any person other than authorized employees of the Company (refer to Section 3.10).

All metering shall be installed on the supply-side of the customer's main disconnecting means except for the following:

- A 480Y/277-volt self-contained metering installation,
- Where the Company requires a non-fusible meter disconnect ahead of the meter (refer to Exhibit 15), or
- Where the NEC requires a main disconnect ahead of a group of more than six (6) meters (refer to Exhibit 16).

The customer shall consult the Company prior to purchasing or installing equipment.

Meter sockets, metering transformer cabinets, and all other enclosures and switch boxes installed on the supply-side of the meter shall be equipped with provisions to accept a Company meter seal before connection will be made by the Company. Meter sockets, transformer cabinets, and other meter service enclosures shall not be used by the customer as junction boxes - only service entrance conductors are permitted. Metered and unmetered conductors shall not be installed in the same conduit, enclosure, or raceway. All energized meter sockets shall be properly covered at all times especially if the meter has been removed. Meter sockets and service conduits shall not be recessed into the wall. Unmetered service entrance cables or service entrance conduits on buildings, poles, or structures shall not be concealed or recessed.

Meter installations that have the meter socket as part of a pedestal, multi-metered equipment, or attached to or an integral part of the customer-owned service equipment shall be approved by the Company prior to purchase and installation by the customer.

The Company, in accordance with the rate schedule selected and the type of service supplied, determines the capacity and type of meter installation to accommodate the customer's load.

7.2 Meter Locations

The customer shall provide space for the installation of the Company's meters and equipment at an outside location designated by the Company. Outdoor meter locations are required for all meters except where the Company gives approval otherwise.

Outdoor

All new outdoor meter installations shall be located on the building at the nearest practical point from Company facilities and readily accessible to authorized Company representatives. If the nearest point is not feasible due to physical obstructions, such as garage doors or windows, the Company shall choose an alternate location closest to its service facilities.

The meter socket shall be installed so that the center of the socket is approximately five feet above the finished grade. Exceptions to this requirement to avoid obstacles or maintain safety shall be approved prior to installation. Meter socket height for pedestals, multi-meter equipment, or meter sockets attached to or an integral part of customer-owned service equipment shall be approved by the Company. For installing meter sockets in FEMA floor zones, refer to Exhibit 31.

Clearance in front of and to the sides of meter sockets and metering equipment shall be maintained per NEC Article 110.26 (30-inch width and 36 inches in front of the meter and extend from the grade, floor, or platform to a height of 6.5 feet or the height of the equipment, whichever is greater). The above clearances shall be maintained regardless of structural changes of the building. The location shall not be subject to severe vibration. Meters and metering equipment shall not be installed in dangerous locations or locations where the meter readers or service personnel may inadvertently damage flowerbeds or shrubbery or where it will be necessary for them to climb over fences or other obstructions (e.g. HVAC equipment, trash containers, and dumpsters) to perform their work on meters. The meter socket shall not be installed in carports, open porches, or other such areas that may be enclosed by walls or screens. Additionally, they shall not be installed in locations where they may be accidentally damaged, such as on buildings where they will extend unguarded into alleys, driveways, drive-thrus, or where they will cause inconvenience to the customer or the Company. Building exhaust fans shall not be vented on or near metering equipment.

A meter may be located on a customer-owned pole with prior Company approval. This pole shall be yellow pine, cedar, or equivalent, pressure-treated and provide proper clearances (refer to Exhibit 2). Before installing the pole, the customer should consult the Company for proper size (length and class) and setting depth. Any metering installation on a Company-owned pole shall have the specific written approval of the Company.

The customer shall install steel concrete filled barrier posts to protect metering equipment where vehicle traffic may interfere with or damage such equipment. Refer to Exhibit 30.

Meters shall not be located closer than three (3) feet to any natural gas equipment. For locations near tanks containing flammable gas or liquid (e.g., propane, gas or oxygen) meters shall be no closer than fifteen (15) feet.

In areas where the municipality requires the meter to be installed above flood stage, a metering deck will be required. Refer to Exhibit 31.

Indoor

Indoor installations shall be preapproved by the regional Engineering Services Manager.

Where an indoor installation is required, the meters should be located on the first floor or in the basement where they shall be readily accessible to authorized Company representatives. The location shall not be subject to severe vibration, excessive dampness, high magnetic fields, or excessive heat and shall be installed in accordance to the NEC.

7.3 Group Meter Installations

In multiple occupancy (two or more occupancies) buildings, where several floors, apartments, stores, etc., are rented separately, meters and service equipment shall be located preferably all together. In high-rise buildings, it may be necessary to have several meter locations, possibly every other floor or every third floor as may be necessary.

The meter room or space shall be readily accessible to all tenants and Company representatives at hours specified in accordance with the filed rates, rules, and regulations.

This room shall be for the sole purpose intended and shall meet local fire codes as well as the NEC. This room shall not be used for the storage of materials or equipment.

Refer to Exhibit 16 for typical indoor/outdoor installation for multiple occupants.

7.4 Meter Relocations

When alterations or additions to a building or its wiring require a change in the meter location, the customer shall notify the Company before proceeding with any work. The customer may be responsible for the Company's cost for facility modifications. The customer shall be responsible for all costs incurred in the moving the meter socket and wiring.

7.5 Minimum Meter Sockets Requirements

<p>Meter sockets for a service of 400 amps or less are supplied and installed by the customer. For other service sizes, refer to Exhibit 1 for customer/Company responsibilities. All customer supplied meter sockets shall meet the minimum requirements as defined below. For services greater than 400 amps, the customer should consult the Company for the appropriate metering equipment.</p>	
<p>Minimum Requirements for All Meter Sockets</p>	
<ul style="list-style-type: none"> • Shall be UL listed and labeled • Meter socket jaws shall be tin plated copper and spring supported • Lugs shall be extruded aluminum tin plated • Sockets shall be 5th terminal adaptable (at the 9 o'clock position) • Sockets shall be ringless type with clasp and slot closure • Sockets shall have ¼-inch ground wire knockout • Cardboard or plastic protector • Triple ground lug (triplex) • Shall accept blanking plate • Meter sockets designed for underground service connections shall be side-wired • Dual use meter sockets designed for both overhead and underground service connections shall be side-wired 	
<p>Residential Single-Phase</p> <ul style="list-style-type: none"> ▪ Shall have horn type bypass 	<p>Commercial Single- & Three-Phase</p> <ul style="list-style-type: none"> ▪ Shall have lever-operated jaw release and by-pass rated for 100% continuous duty (does not apply to single-phase temporary services). ▪ All sockets shall have the Landis & Gyr HQ Series, the Milbank HD Series, or the Eaton/Cutler Hammer MSL Series Block Assembly.
<p>Additional Requirements for Specific Socket Types</p>	
<p>Single-Phase Single-Position Overhead 100 Amperes & 200 Amperes:</p> <ul style="list-style-type: none"> • Small hub opening (minimum) • Lug size - #6 AWG to 2/0 AWG (for 100 A) or #2 AWG to 350 kcmil (for 200 A) • Bottom knockout – 2-½-inch conduit minimum • Hub not included 	

Single-Phase Single-Position Overhead 400 Amperes:
<ul style="list-style-type: none"> • Large hub opening • 3/8-inch stud lug size - #4 AWG to 600 kcmil • Bottom knockout – 3-inch conduit minimum • Large hub opening • Bypass lever with jaw release
Single-Phase Multiple-Position OH/UG 125 Amperes:
<ul style="list-style-type: none"> • Small hub opening (minimum) • Lug size - #6 AWG to 2/0 AWG (load) and #2 AWG to 350 kcmil (line) • Bottom knockout – 3-inch conduit (for incoming utility cable) • Hub not included
Single-Phase Multiple-Position OH/UG 200 Amperes:
<ul style="list-style-type: none"> • Large hub opening • Lug size - #2 AWG to 350 kcmil (load) and #6 AWG to 400 kcmil (line) • Minimum 2-inch conduit per position bottom knockout, additional bottom knockout – 3-inch conduit (for incoming utility cable) • Hub not included
Single-Phase Multiple-Position OH/UG 125 Amperes with disconnect switch:
<ul style="list-style-type: none"> • Small hub opening (minimum) • Lug size - #6 to 2/0 AWG (load) and #4 AWG to 350 kcmil (line) • Bottom knockout – 3-inch conduit (for incoming utility cable) • Hub not included • Disconnect switch • Side-wired
Single-Phase Multiple-Position OH/UG 200 Amperes with disconnect switch:
<ul style="list-style-type: none"> • Large hub opening • Lug size - #2 AWG to 350 kcmil (load) and 1/0 AWG to 600 kcmil (line) • Bottom knockout – 3-inch conduit (for incoming utility cable) • Hub not included • Disconnect switch
Single-Phase Single-Position UG 200 Amperes:
<ul style="list-style-type: none"> • Lug size - #2 AWG to 350 kcmil • Bottom knockouts – two 3-inch conduits • Side-wired
Single-Phase Single-Position UG 400 Amperes:
<ul style="list-style-type: none"> • 3/8-inch stud with lug size - #4 AWG to 600 kcmil • Bottom knockouts – two 4-inch conduits • Bypass lever with jaw release • Side-wired

Single-Phase Single- and Double-Position UG Pedestal 200 Amperes:
<ul style="list-style-type: none"> • Lug size - #2 AWG to 350 kcmil • Stabilizing foot or base • A hasp for a padlock may be provided in place of barrel lock • Grounding provisions (if the pedestal is metal, it shall be grounded to meter socket ground or have another method of grounding it) • 36-inch minimum below grade (including stabilizing foot or base) • Series main breaker
Poly-Phase Single-Position Self-Contained OH 125 Amperes & 200 Amperes:
<ul style="list-style-type: none"> • Small hub opening (minimum) • Lug size - #6 to 2/0 AWG (for 125 A) or #6 AWG to 350 kcmil (for 200 A) • Bottom knockout (min) – 2-inch conduit (125 A) or 3-inch conduit (200 A) • Seven-terminal three-phase four-wire
Poly-Phase Single-Position Self-Contained OH/UG 400 Amperes:
<ul style="list-style-type: none"> • Large hub opening • 3/8-inch stud with lug size - #6 AWG to 600 kcmil • Bottom knockout – 4-inch conduit • Seven-terminal three-phase four-wire or five-terminal three-phase three-wire • Side-wired
Poly-Phase Single-Position Self-Contained UG 200 Amperes:
<ul style="list-style-type: none"> • Lug size - # 6 AWG – 350 kcmil • Bottom knockout (min) – 3-inch conduit • Seven-terminal three-phase four-wire • Side-wired
Gangable Sockets:
<ul style="list-style-type: none"> • Maximum height to center of top socket 72 inches • Minimum height to center of bottom socket 24 inches (indoor) or 30 inches (outdoor) • Minimum spacing between meters eight (8) inches • Five-jaw standard for three-phase in, single-phase out (for 120/208 V three-wire applications) • 400-A units approved on a case-by-case basis • Residential units – bypass horns required; Commercial units – bypass lever required • A hasp for a padlock may be provided in place of barrel lock • 480-V units shall have disconnecting means on source side of each socket with provisions for meter seal and/or padlock

7.6 Metering Equipment Installation Guideline Summary

- The Company shall approve all metering equipment locations.
- The meter socket shall be mounted level.
- Mount the meter socket on a solid part of the structure.
- Use corrosion inhibited mounting hardware.

- Do not mount the meter socket with nails.
- Meter socket shall be surface mounted. Do not build-in or enclose the meter socket or meter within the structure.
- Do not recess the meter socket in brick, masonry, or siding.
- The installation shall meet the requirements set forth by the NEC and any local, state, or federal codes that apply to the installation. For installations that require electrical inspection, the inspection is required before the installation is connected to the Company's system.
- It is recommended that a qualified electrical contractor perform all work on customer facilities.
- Customer's meters, auxiliary devices, relays, etc., shall normally not be connected to the Company's metering circuits.
- The Company shall furnish the metering facilities required in accordance with its standard rate schedules.
- After an installation is made, changes in location of meters for the convenience of the customer will be at the customer's expense, after the necessary service entrance wiring to the new location has been completed by the customer.
- Only service entrance conductors may run through meter sockets or meter connection boxes.
- Meter sockets/enclosures shall not be used as junction boxes.
- All equipment furnished by the Company shall remain its exclusive property and the Company shall have the right to remove the same after termination of service for any reason whatsoever.
- For identification purposes, it is necessary that wherever two or more meters are grouped at one location, all sockets/metering equipment (inside and out) and breakers shall be plainly and permanently marked to designate the specific apartments, suites, or offices served (e.g., Apt 1A). Likewise, the apartment or suite entrance(s) shall be identified accordingly (e.g., APT 1A). Tags shall be used marking entrance equipment or service or service conductors, whereas sockets or meter connection boxes may be marked by neat stencils with paint as well as using permanent tags (label maker tags are not acceptable). These identification markings shall be located as follows:
 - ✓ Inside main disconnect electrical panel in the apartment or suite,
 - ✓ Inside the meter socket near the jaw assembly, or
 - ✓ On the cover of both main disconnect panel and meter socket.
- For multi-meter installations, any unmetered positions shall have the cardboard shipping covers replaced by plastic protectors.
- Metered and unmetered conductors shall not be in the same trough, conduit, or wireway.
- For typical installations, refer to Exhibits 6, 8, 11, 12, 13, 14, 15, 16, 17, 18, 19, 20, and 21. In unusual cases, the customer should contact the Company.

7.7 Minimum Size Meter Socket - 480-Volt Services

The smallest permissible size meter socket on 480Y/277-volt three-phase four-wire services is 200 amps.

7.8 Installations Requiring 400 Amperes & Less of Continuous Metering Load

Typically, on new customer installations or on existing customer installations where the service entrance conductors, service entrance panel, or main disconnect switch are rearranged, the meters shall be installed outdoors. If an indoor installation is required, the customer shall consult the Company before starting the installation.

7.9 Installations Requiring Over 400 Amperes of Continuous Metering Load

The regional Metering Services Section shall determine in each case (either new or to be rebuilt) the type of meter installation to be made.

Instrument transformers are required for these installations. In most situations, the customer will supply and install a current transformer cabinet or mounting facility in accordance with Company requirements. Refer to Exhibits 19 and 20. These instrument transformer cabinets shall not be used as junction boxes or raceways (troughs). Other alternative current transformer locations (e.g., in pad-mounted transformer), as determined by the regional Metering Services Section, may be applicable as per Exhibit 21. All instrument transformer locations shall be readily accessible to authorized Company representatives for checking and testing. However, before such an installation is made, the Company shall be consulted regarding the meter location and facilities required.

When a telephone connection to the meter is required by the customer's rate schedule or requested by the customer, the customer shall provide a telephone line and conduit to the meter socket. Monthly charges for the telephone connection are the customer's responsibility. Customer shall contact the regional Metering Services Section for details.

When the space above the instrument transformer cabinet is intended as the location for the meter or meters, it is necessary that adequate space be reserved for this purpose.

Where the instrument transformer and/or service conductors are of such size that it is not practical to use instrument transformer cabinets, the current transformers may be mounted, at the customer's expense, in a bus structure. The current transformer compartment shall have a hinged lockable door. However, before such an installation is made, the Company shall be consulted regarding the meter location and facilities required.

For services exceeding 2400 amperes, the customer shall provide a switchgear enclosure for metering. Switchgear compartments meeting IEEE C57.12.28 shall be a minimum of 36-inches high by 30-inches wide by 20-inches deep with a bus separation of at least 10.5 inches on center, 7.5-inch minimum separation from the enclosure sides, and located on the supply-side of any protective equipment. The bus dimension shall be a maximum of five (5) inches to allow for window type current transformers. The neutral connection is required to be in the front of the enclosure. The customer shall provide conduit or raceway for metering cables. The customer shall contact the regional Metering Services Section to determine specific details and if the proposed installation allows for an alternative metering arrangement.

7.10 Approved Current Transformer Cabinets

When a current transformer cabinet is required, the customer shall provide an approved unit from the table shown below. These cabinets shall not be used as junction boxes for circuit extensions and shall have line and load sides identified.

All current transformer cabinets listed below are rated for indoor/outdoor use unless otherwise noted.

The short-circuit current ratings that will be labeled on the current transformer cabinets are included next to the catalog numbers listed below. This information is being provided so that the customer can select a unit with a short-circuit current rating equal to or greater than the available short-circuit current at the cabinet as may be required by the local or state inspection authority.

Current-Transformer Cabinets (400 Amperes to 2400 Amperes):

- Shall be UL listed and labeled as a “Metering Transformer Cabinet,”
- Use 14 gauge electroplated galvanized or equivalent gray painted steel (or aluminum with equivalent physical strength and corrosion resistance),
- Outdoor type shall be weatherproofed,
- Double door with stainless steel hinges (or equivalent hinges for aluminum cabinet),
- Padlockable handle (for Company lock) on door with internal mechanism for three points of latching: top of door, bottom of door, and handle,
- Each door shall be equipped with a non-detachable door stop for holding it in a fixed open position,
- Typical dimensions for cabinets rated 400 A to 800 A: 36-inch wide, 36-inch high, and 10-inch deep,
- Typical dimensions for cabinets rated 1000 A to 2400 A: 42-inch wide, 60-inch high, and 20-inch deep,
- Removable copper bus bar on each phase for installation of window-type current transformers (Company will provide current transformer dimensions upon request),
- Each bus bar shall be drilled and tapped on both ends with a 10-32 screw to facilitate connection of meter potential wires, and
- Bus support brackets on each phase shall be spaced to accommodate installation of standard bar-type current transformers.

Approved Manufacturer/Catalog Numbers		
Manufacturer	CT Cabinet Catalog Number	Short-Circuit Current Rating
Size: 600 - 800 Amperes		
East Coast Panelboard	CTJ-800-A (indoor)	50,000 amps *
	CTJ-800RA-G (outdoor)	
	CTJ-800R-A (outdoor) **	
Erickson Electrical	CT-84-FECD	85,000 amps
Hoffman Enclosures	A800HCT1R	50,000 amps
Lake Shore Electric	JCTC-Series	50,000 amps
Meter Devices	507U7591-1	10,000 amps
Milbank	U5990-O	50,000 amps
The Durham Company	1011245	50,000 amps*
Nav-Tech	CT-800 (indoor)	50,000 amps*
	CT-800R (outdoor)	
Size: 1000 Amperes		
East Coast Panelboard	CTJ-1000-A (indoor)	50,000 amps *
	CTJ-1000R-A (outdoor)	
Erickson Electrical	CT-124-FECD	85,000 amps
Lake Shore Electric	MCTC-Series	50,000 amps
Size: 1200 Amperes		
East Coast Panelboard	CTJ-1200-A (indoor)	50,000 amps *
	CTJ-1200R-A (outdoor)	
Erickson Electrical	CT-124-FECD	85,000 amps
Lake Shore Electric	MCTC-Series	50,000 amps
Size: 1600 Amperes		
East Coast Panelboard	CTJ-1600-A (indoor)	50,000 amps *
	CTJ-1600R-A (outdoor)	
Erickson Electrical	CT-164-FECD	85,000 amps
Lake Shore Electric	SCTC-Series	100,000 amps
Size: 2000 Amperes		
East Coast Panelboard	CTJ-2000-A (indoor)	50,000 amps *
	CTJ-2000R-A (outdoor)	
Erickson Electrical	CT-204-FECD	85,000 amps
Lake Shore Electric	SCTC-Series	100,000 amps
Size: 2400 Amperes		
East Coast Panelboard	CTJ-2500-A (indoor)	50,000 amps *
	CTJ-2500R-A (outdoor)	
Erickson Electrical	CT254-FECD	85,000 amps
Lake Shore Electric	SCTC-Series	100,000 amps
* To achieve rating, customer must wrap line cables together and load cables together with nylon rope per manufacturer's instruction.		
** East Coast Panelboard CTJ-800-A is no longer manufactured but may still be installed.		

7.11 **Service at Voltages Greater Than 600 Volts**

Service at primary distribution, subtransmission, or transmission voltage level may be available dependent upon the size of the load served, location of the facility, and other economic factors, and may be provided at the discretion of the Company. The customer should contact the local Engineering Services Section for additional information. The customer shall contact the Company well in advance of the time such service will be

required so that the customer's and the Company's engineering, design, and construction work may be properly coordinated, and equipment made available.

7.12 Disconnect Requirements

Central Business District Network Areas

The customer shall provide a lockable (for Company padlock) disconnecting means with overcurrent protection (fuses) before entering the metering equipment on all underground services in Central Business District network systems.

Multiple Meter Installations

Disconnect requirements on installations with multiple meters vary dependent upon the nature of the installation and level of load served. A metering disconnect shall be installed by the customer on the supply-side of the current transformer cabinet on multiple services served from a single overhead or pad-mounted transformer. For disconnect (main and/or individual meter) requirements the customer shall contact the regional Metering Services Section.

480-Volt Self-Contained Meter Installations

For all single-phase and three-phase 480-volt services with self-contained metering, a non-fused disconnecting means is required on the source side of the meter socket. (If the fault current is greater than 10 kA, a fused disconnect is permitted). The disconnecting means shall be installed, owned, and maintained by the customer. The disconnecting means shall have provisions for a Company meter seal and/or padlock. Refer to Exhibit 15 for details.

For 480-volt multiple metering units (i.e., gang sockets), a disconnecting means is required on the source side of each socket as specified above for single meter installations. This requirement also applies to 480-volt multiple metering units having a main disconnect. Refer to Exhibit 16 for details.

The customer shall contact the Company's Metering Services Section during the electrical design stage to discuss the 480-volt meter disconnect requirements and to obtain approval for the proposed installation.

8.0 CUSTOMER EQUIPMENT

8.1 Motors (Inrush Limitations & Motor Protection)

Single-Phase Motors

1. All single-phase motors with ratings of one hp and larger should be connected for supply at 240 volts whenever it is practical, to minimize voltage fluctuation in the wiring system. Where service is supplied from a 208Y/120-volt system, these motors should be purchased for operation at 208 volts.
2. Motor installations for air conditioning equipment, farm applications, and heat pumps in ratings of one to seven and one-half (7-1/2) hp should be of the capacitor start-capacitor run design. The Company shall be notified of each installation of five hp or more. In addition, the customer shall notify the Company before installing central air conditioning or heat pumps.
3. Overload protection must be provided for all motor circuits in accordance with NEC requirements.

4. The use of automatic time-delay circuit breakers for circuit protection is strongly recommended and where fuses are used, they should always be of the time-delay type. In many instances, this time-delay will prevent unnecessary shutdowns due to the tripping of an instantaneous type circuit breaker or blowing of ordinary short-time fuses by large currents resulting from motor starting, temporary overloads, or temporary low-voltage conditions.

Three-Phase Motors

1. Before any three-phase motors are installed, the Company shall be consulted to determine the character and adequacy of the available service.
2. The customer shall provide nameplate information for all motors 10 hp or greater to the Company. The Company will provide the maximum permissible inrush for the location and for the conditions of that specific installation.
3. The use of reverse phase relays, phase failure relays, and low voltage relays, preferably of the adjustable time-delay type, with circuit breakers or equivalent devices, is highly recommended. These devices are desirable to disconnect motors automatically that cannot be safely reversed or would be damaged by a phase or voltage failure. Such devices shall be furnished, installed, and maintained by the customer at the customer's expense (refer to Section 8.8).

Starting Currents – General

1. Motor starts can produce voltage fluctuations resulting in objectionable flicker on lighting supplied by the same or nearby circuits.
2. Starting of large three-phase motors and operation of furnaces and welders requires special consideration of the power supply and wiring. The Company may assist the customer in planning these installations; and in every case, the Company must be notified so that adequacy of the service facilities may be determined, and changes may be made if necessary.

Starting Currents – Frequently Started Motors

Frequently started (i.e., more than four starts per hour) single-phase motors for general use, such as for refrigerators, oil burners, water pumps, and similar devices, should have a locked rotor current not exceeding 20 amperes for operation at 120 volts and 25 amperes for operation at 240 volts. These motors are permissible on the system.

Starting Currents – Intermittent Started Motors

1. Single-phase motors for installations such as heat pumps, central air conditioners, grain dryers, etc., with locked rotor currents not exceeding 175 amperes served at nominal 120/240 volts or network 120/208Y volts, may be connected to the single-phase service furnished through one meter.
2. Motors that have starting currents exceeding the limits stated in "Starting Currents - Frequently Started Motors" and in item (1.) of Intermittent Started Motors above shall not be installed without the consent of the Company.
3. The maximum permissible motor starting currents, as indicated in item (5.) below, shall apply to the application of manually or infrequently started motors. These values are based on not more than four starts per hour with long periods of continuous operation under maximum load conditions.

4. Where equipment ratings or inrush characteristics other than those covered in this section are being considered, the Company shall be consulted. The starting currents permitted will depend upon the frequency of start of the motor, the size, and character of the customer's load, and the capacity of the Company's system in the area. The maximum allowable starting current will be that value, which in the Company's opinion; can be supplied without causing undue interference with service to other customers.

5. Maximum Permissible Motor Starting Currents

a. Equipment with motors rated in horsepower:

<u>Equipment Rated at:</u>	<u>Total Locked Rotor Current not to Exceed:</u>
120 volts, single-phase	50 amps
<u>208 or 240 volts, single-phase</u>	
2 hp or less	60 amps
2 hp to 6.5 hp	60 amps plus 20 amps/hp when over 2 hp
Over 6.5 hp	Consult the Company
<u>208 or 240 volts, three-phase</u>	
2 hp or less	50 amps
2 hp to 19.9 hp	50 amps plus 14 amps/ hp when over 2 hp
Over 19.9 hp	Consult the Company

b. Room and unitary air conditioning or heat pump equipment rated in Btu per hour (Btu/h). Note: 12,000 Btu/h equals one ton.

<u>Equipment Rated at:</u>	<u>Total Locked Rotor Current not to Exceed:</u>
120 volts, single-phase	50 amps
<u>208 or 240 volts, single-phase</u>	
20,000 Btu/h or less	60 amps
20,000 Btu/h to 43,333 Btu/h	60 amps plus 3 amps/1000 Btu/h when over 20,000 Btu/h
Over 43,333 Btu/h	Consult the Company
<u>208 or 240 volts, three-phase</u>	
20,000 Btu/h or less	50 amps
20,000 Btu/h to 50,000 Btu/h	50 amps plus 2.5 amps/1000 Btu/h when over 20,000 Btu/h
Over 50,000 Btu/h	Consult the Company

6. Definitions & Notes for Motor Starting Requirements:

a. Total locked rotor current is defined as the steady state current taken from the supply line with the motor rotor or rotors locked, with all other power-consuming components including a current-reducing starter if used connected in the starting position, and with rated voltage and frequency applied.

b. Where the equipment contains more than one motor and some motors are arranged for sequence starting, locked rotor current applies to that, combination of power-consuming components simultaneously started that produces a higher draw of starting current than any other combination. In such sequence arrangements, the subsequent motor(s) shall not be started for a minimum of 1/2 second after the preceding motor(s) have completed their starting mode.

- c. Where the design of the equipment is such that unequal currents appear in the supply wires (i.e., auxiliary motors on single-phase equipment or single-phase auxiliary motors on three-phase equipment), locked rotor current applies to the supply wire carrying the largest current.
- d. For three-phase motors and equipment rated at voltages other than 240 volts, the locked rotor currents specified shall be multiplied by the inverse ratio of the voltages [For example, for a 480-volt motor, the locked rotor current would be the value in the table in item (5) above multiplied times the ratio 240/480 (0.5)].

8.2 Power Factor

It is desirable to maintain the power factor of any load as near to unity as possible.

The Company shall not be obligated to furnish service when the power factor is not maintained at or above the level specified in the Tariffs. The customer shall maintain a power factor in the range of 87% to 100% coincident with the customer's maximum on-peak monthly demand. If power factor corrective equipment is necessary, it, together with required switching equipment, shall be provided and maintained by the customer at the customer's sole expense.

In general, capacitors must be applied more carefully than most types of electrical equipment in order that satisfactory operation and maintenance will result. The customer should consult with the Company before any installations of this type of equipment are made.

8.3 Welders & Industrial Furnaces

The Company may assist its customers in planning installations of electric welders and industrial type furnaces. To have ample time to determine the electrical supply requirements, the customer shall consult the Company when such installations are being planned and before the customer commits to the purchase of the equipment.

8.4 Commercial Cooking, Space Heating, Water Heating, & Ice / Snow Melting

In some instances, installations of commercial cooking, space heating, water heating (including tank-less), ice and snow melting, and similar equipment require additional service capacities for satisfactory operation. The customer shall contact the Company before any such installations are made. The customer shall contact the Company before installing water heating (including tank-less) more than a total of 5,500 watts.

8.5 Low-Voltage Surge Arresters (600 Volts or Less)

When low-voltage surge arresters are installed by the customer, they shall not be connected to the service drop conductors, to the service entrance conductors, or installed in the meter socket. Where installed to protect utilization equipment, low-voltage surge arresters may be either inside or outside the enclosure containing the equipment or installed at the service equipment. These arresters should never be considered as taking the place of the bond between the neutral or grounded conductor and the metallic systems at ground potential such as: metallic siding, water, waste lines, central heating, television towers and antennas, and sometimes lightning rods, but only as devices, which may help to reduce appliance failures.

8.6 UPS, Cogeneration, Back-up Generation, & Interconnected Generation

The customer shall consult the Company before considering or commencing design of a UPS, cogeneration, back-up generation, or interconnected generation system, due to the potential safety hazard involved. In addition, if generation can run in parallel with the Company supply system, the customer shall obtain additional information on interconnection requirements from the Company's local Engineering Services Section. It is specifically prohibited to operate generation in parallel with Company facilities unless the Company has approved the interconnection design.

When installing emergency generators, customers shall employ a switch that will prevent electrical backfeed onto Company facilities when the generator is in operation.

Retail Interconnection applies to current retail customers who add generation to their side of the utility meter and interconnect to the electric grid to reduce the energy delivered by their electric utility. Retail interconnections are governed by the rules and regulations identified in the Company's Tariffs, which are filed with and approved by the NJ BPU. Additional information on interconnected generation can be found at www.firstenergycorp.com. Then choose Jersey Central Power & Light from the drop-down menu at the top of the page, and then click on "Generator Interconnection Process" under General Information."

8.7 Harmonic Producing Equipment

Customers shall meet the requirements of IEEE Standard 519 Section 10, Recommended Practices for Individual Customers. Typical examples of harmonic producing equipment are rectifiers, Silicon-Controlled Rectifier (SCR) drives, power supplies, inverters, arc-furnaces, welders, etc.

8.8 Protective Devices

When requested, the Company shall provide necessary information regarding the required interrupting capacity of protective devices to be installed at the customer's point of delivery. Where service is supplied from high short-circuit current systems, special power fuses, or breakers of high interrupting capacity shall be used. This is of particular importance where protective devices are to be installed in underground secondary network Central Business District. While the Company will endeavor, where possible, to anticipate system changes, which may affect these values, the Company does not assume responsibility or liability with respect to such protective devices, nor guarantee their continuing adequacy against increased interrupting capacity requirements resulting from system changes.

The service equipment installed, irrespective of type, should be of such capacity as to permit the full utilization of the capacity of the service entrance conductors installed at the time of the original installation. Circuit breaker type service equipment is preferable in all cases, and its use is strongly recommended. However, fused type equipment is also acceptable.

Protection against loss of voltage, voltage unbalance, undervoltage transient, sustained overvoltage, phase reversal, loss of synchronism, overcurrent, short circuit and single phasing is highly recommended for three-phase equipment and is the responsibility of the customer. Reverse phase relays must be provided on three-phase motors for elevators, cranes, hoists, or any other equipment requiring constant direction of rotation, where reversal of power would result in damage to the equipment or personal injury.

As indicated in Section 3.6, the Company shall not be responsible in any way for damage to the customer's equipment that is due to failure of the customer to provide adequate protection.

8.9 Special Equipment

It is also necessary that the installation of any special equipment not covered in this section shall be referred to the Company for advice before any commitments for purchase or installation are made. Such special equipment shall include X-ray, induction and dielectric heating equipment, sign flashers, compressors or radio transmission rectifiers, and other similar devices.

Overhead Service

MATERIAL	SUPPLIED BY	INSTALLED BY
Service Drop w/ connectors	Company	Company
Service Entrance	Customer	Customer
Connectors @ meter socket	Customer	Customer
Self-Contained Meter Socket 400 Amp or less	Customer	Customer
480-Volt Meter Disconnecting Means ¹	Customer	Customer
Current transformer Cabinet ⁸	Customer	Customer
Current Transformers	Company	Note 5
Metering Conduit	Customer	Customer
Metering Conductors	Company	Company
Transformer Rated Meter Socket	Company	Customer
Meter	Company	Company

Underground Service

MATERIAL	SUPPLIED BY	INSTALLED BY
Service Lateral (UG Cable) Residential Commercial	Note 6 Customer	Note 6 Customer
Trench / Backfill / Conduit ⁷	Customer	Customer
Service Entrance	Customer	Customer
Riser Pole Material Residential Commercial	Note 6 Customer	Note 6 Customer
Transformer Foundation Single-Phase Three-Phase	Company Customer	Customer Customer
Connectors ² @ Source Transformer, Pedestal, or Handhole	Company	Company
Connectors @ Meter Socket	Customer	Customer
Self-Contained Meter Socket 400 Amp or less	Customer	Customer
480-Volt Meter Disconnecting Means ¹	Customer	Customer
Current transformer Cabinet ⁸	Customer	Customer
Current Transformers	Company	Note 5
Metering Conduit	Customer	Customer
Metering Conductors	Company	Company
Transformer Rated Meter Socket	Company	Customer
Meter	Company	Company

**SERVICE MATERIAL GUIDELINE
FOR NEW JERSEY
OPERATING COMPANIES**



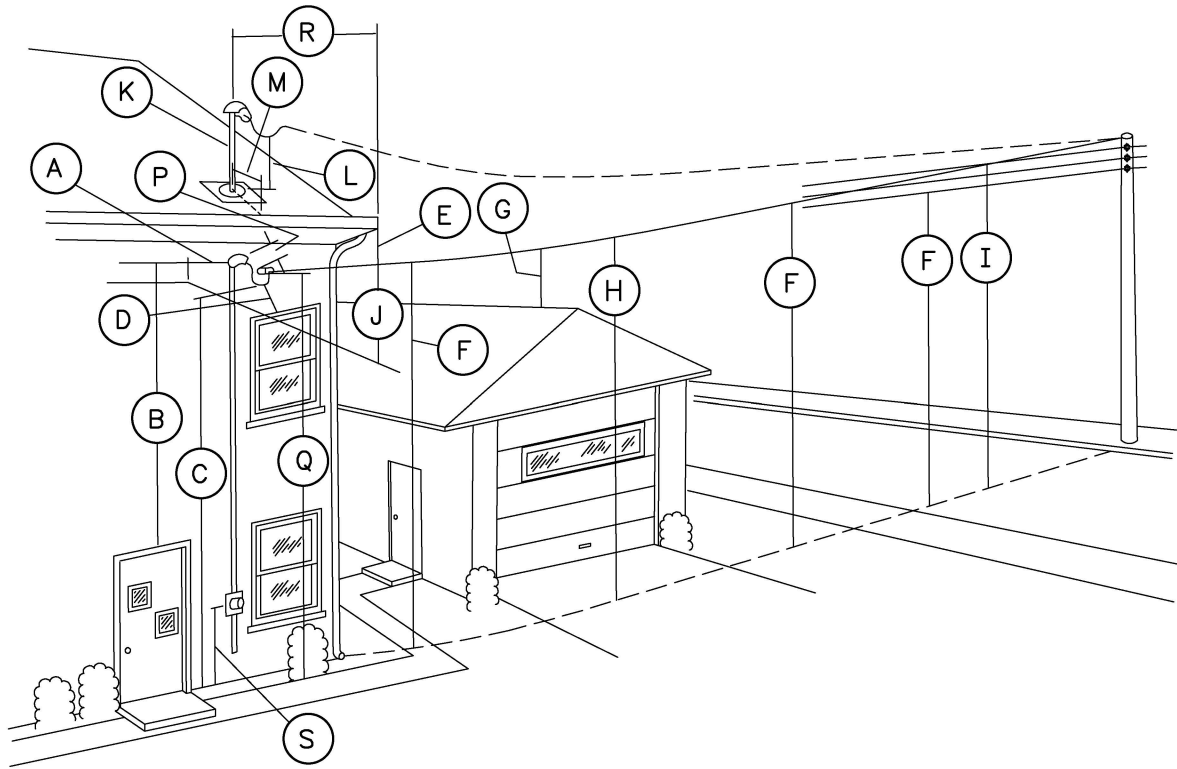
Service Guide

EXHIBIT 1

REV.	1
DATE	12/17

Notes:

1. For all single-phase and three-phase 480-volt services with self-contained metering, a disconnect shall be installed by customer on the source side of the meter socket (refer to Exhibit 15 for details).
2. For connections at pedestals, handholes, overhead transformer riser installations, and single-phase pad-mounted transformers, cable size is limited to 750 kcmil. For connections at three-phase padmount transformers, cable size is limited to 16 conductors of 750 kcmil per phase or 8 conductors of 1000 kcmil per phase.
3. The metering method for services greater than 400 amps is a current transformer cabinet or current transformers installed in the pad-mounted transformer. Customer shall contact the Company for details.
4. Customer shall contact the Company for network applications.
5. The Company will install 400 to 800 amp current transformers in the CT cabinet and all current transformers mounted in pad-mounted transformers. The customer/contractor shall install all current transformers greater than 800 amps in the CT cabinet.
6. An individual residential customer, who is not located in a development, may elect to install the underground service lateral in conduit at their cost and expense in accordance with the Company's specifications. At the customer's option, the Company will install and connect the underground service lateral, upon the customer making a non-refundable contribution. In either case, the Company will assume ownership and responsibility for maintenance (per tariff - Part II, Section 8.03). If an existing residential customer chooses to relinquish ownership of the customer-owned service which was built prior to January 17, 2007, the customer shall contact the Company for details and conditions.
7. All new and upgraded services shall be installed in conduit (minimum 3-inch Schedule 40 PVC electrical grade). The conduit shall run the entire length of the trench and shall have a 1/4-inch nylon or polypropylene pull line installed inside the conduit.
8. A metering disconnect shall be installed by the customer on the supply-side of the current transformer cabinet on multiple services served off of a single overhead or pad-mounted transformer.
9. When a phone connection to the meter is required by the customer's rate schedule or requested by the customer, the customer shall provide a telephone line and conduit to the meter socket. Monthly charges for the phone connection are the customer's responsibility. Customer shall contact the regional Metering Services Section for details
10. For customers who are rebuilding or elevating homes located in coastal areas identified as FEMA flood zones, refer to the JCP&L meter connection guidelines in Exhibit 31.



A	Communication lines (e.g., telephone, CATV) at point of attachment	1 ft
B	Doors, porches, fire escapes, and similar locations	3 ft
C	Lowest point of the drip loop: Multiplex (< 150 V to ground) Open-wire (< 300 V to ground)	10 ft 12 ft
D	Windows: Beside or below Above a window	3 ft 4 inches
E	Gutters and downspouts	3 inches
F	Sidewalks and final grade: Multiplex (< 300 V to ground) Open-wire (< 300 V to ground)	12 ft 12.5 ft
G	Refer to Section 3.15 for conductors not attached to, but crossing over buildings	-
H	Residential driveways	16 ft
I	Public street, alley, public parking lot, and areas subject to truck traffic	18 ft
J	Communication line drop at crossing	2 ft
K	Optional method by use of mast: Conduit coupling shall be located near meter socket (Only power service drop conductors shall be attached to the mast.)	-
L	Overhanging roof: (Roof slope not less than 4" in 12") If service overhang "R" is 6 feet or less and "M" is 4 feet or less If service overhang "R" is greater than 6 feet, the vertical clearance above the roof for the remainder of horizontal distance	18 inches 3 ft
M	Distance from service mast to edge of the roof (see dimension "L")	-
P	Point of attachment shall not be higher than the weatherhead	-
Q	Electrical service drop attachment	12 ft
R	Length of electrical service overhanging roof (see dimension "L")	-
S	Height of meter socket (approximately)	60 inches

**SERVICE DROP CLEARANCE MINIMUM
FOR SERVICES UNDER 600 VOLTS**

FirstEnergy.

Service Guide

REV.

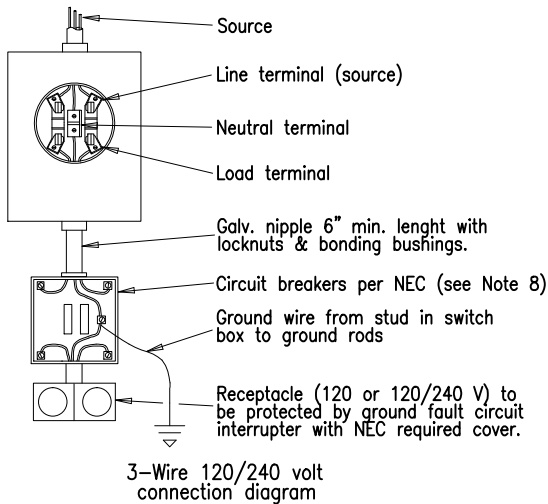
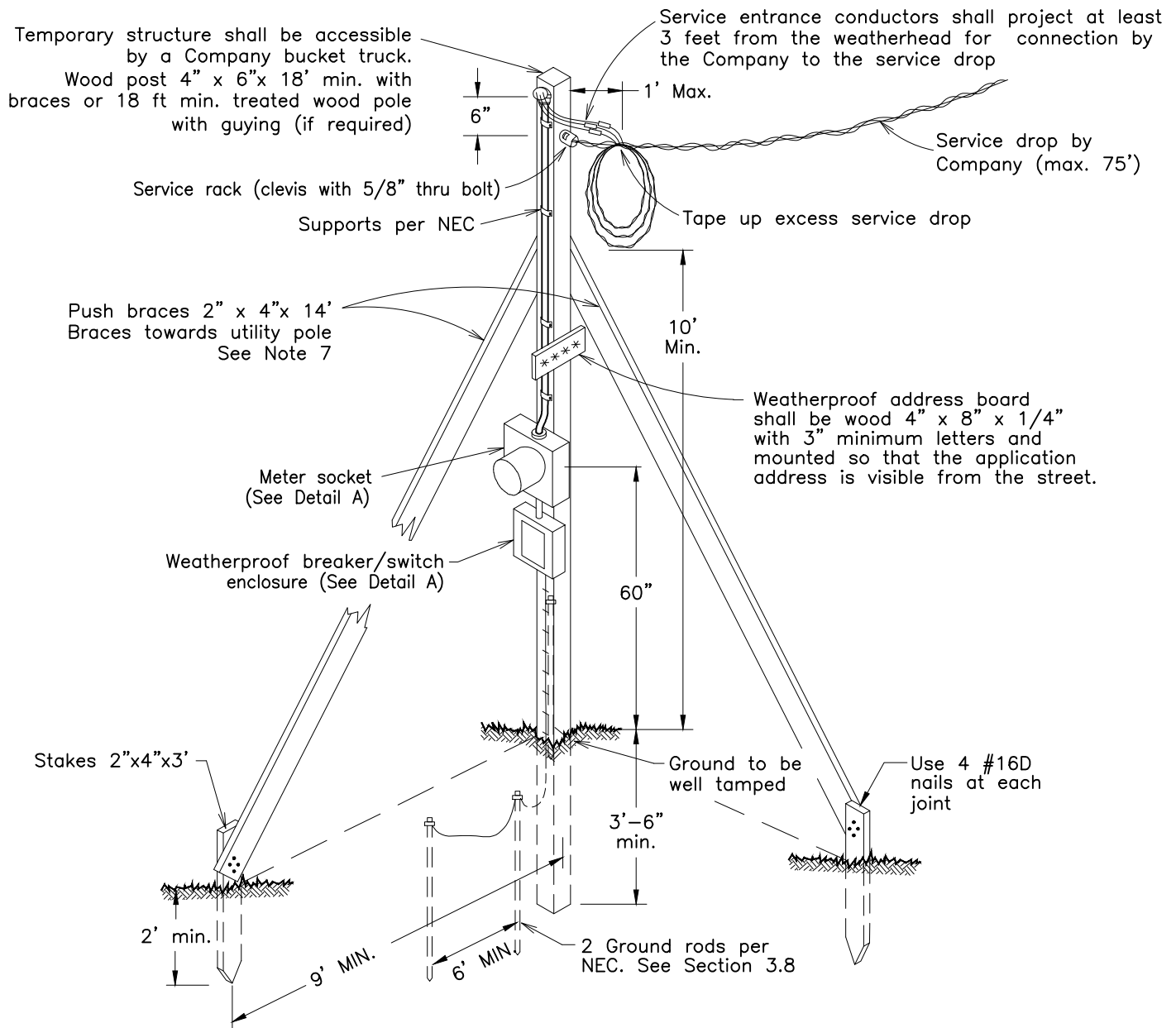
EXHIBIT 2

1

DATE

12/17

Temporary structure shall be accessible by a Company bucket truck.
Wood post 4" x 6" x 18' min. with braces or 18 ft min. treated wood pole with guying (if required)



Detail "A"

Notes:

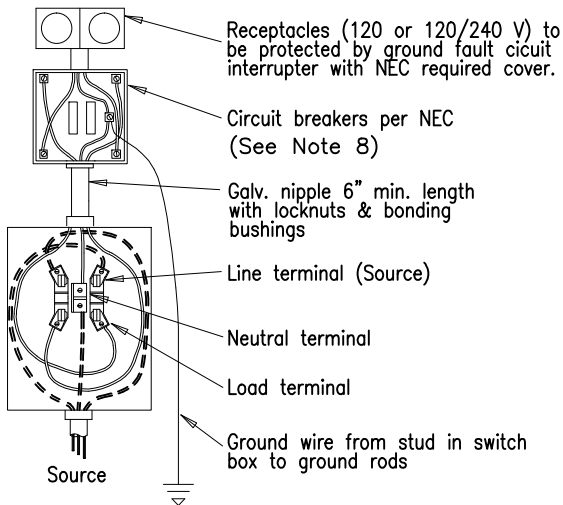
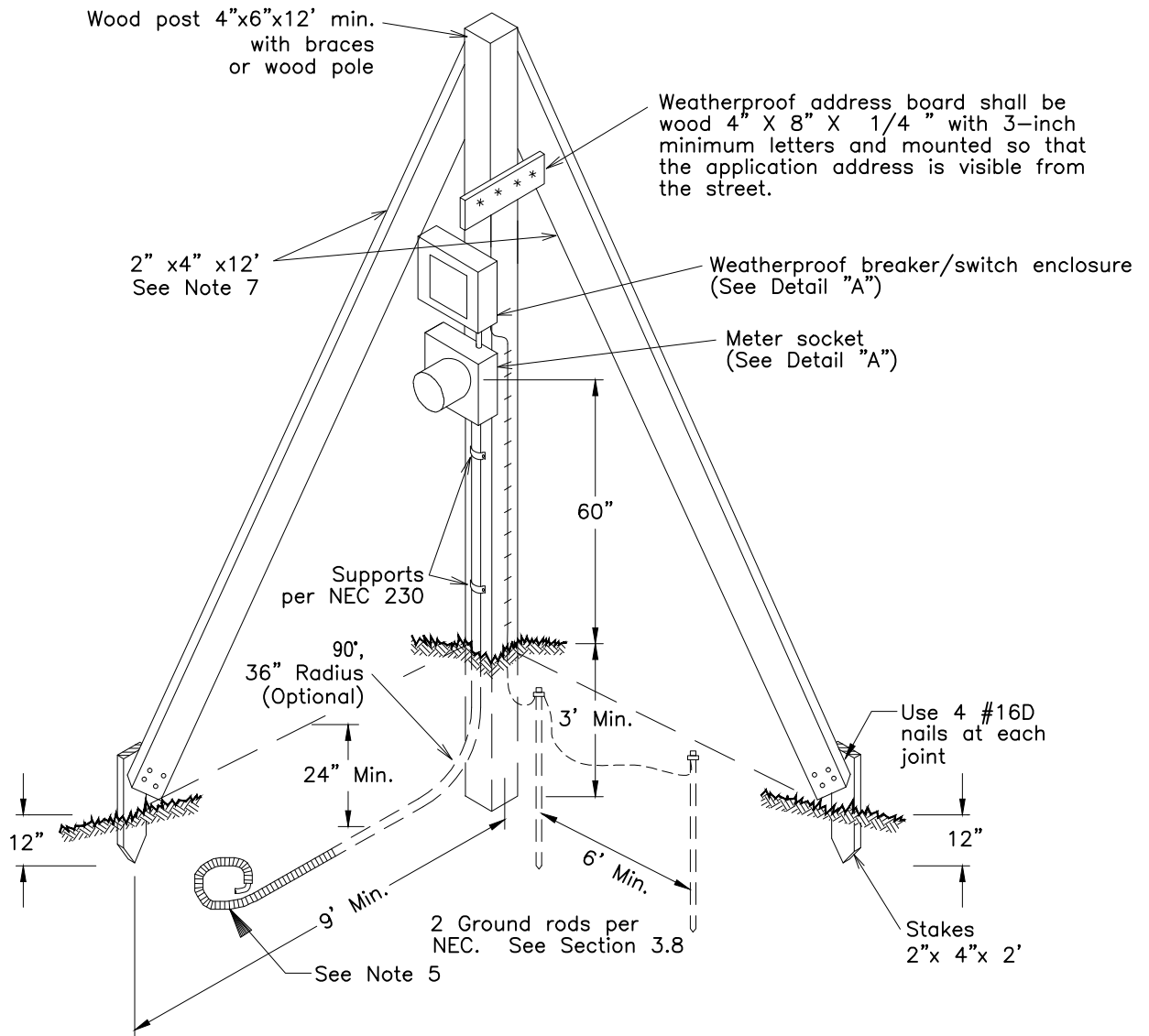
1. For customer/Company responsibilities, see Exhibit 1.
2. Pole & temporary service placement shall be approved by the Company.
3. This structure is for typical temporary service of short duration only (see Section 4.0).
4. Service drop clearance above all driveways, alleys, parking lots, and areas subject to truck traffic, shall be in accordance with the NESC (see Exhibit 2). Minimum ground clearance of 10 ft to the bottom of the drip loop is required per NEC.
5. Ground fault protection shall meet NEC Article 305.
6. Company shall connect service upon receipt of fee and inspection release.
7. All wood products shall be pressure treated.
8. For installations within 30 ft of a 50 kVA or larger transformer, contact Company representative for available fault current to determine breaker rating.
9. Call state One-Call Agency 3 days before construction. Refer to Sections 3.13 & 3.14.

TYPICAL TEMPORARY SERVICE OVERHEAD INSTALLATION

FirstEnergy

Service Guide	REV.
EXHIBIT 3	1
	DATE
	12/17

NJ



3-Wire 120/240 volt Connection diagram

Detail "A"

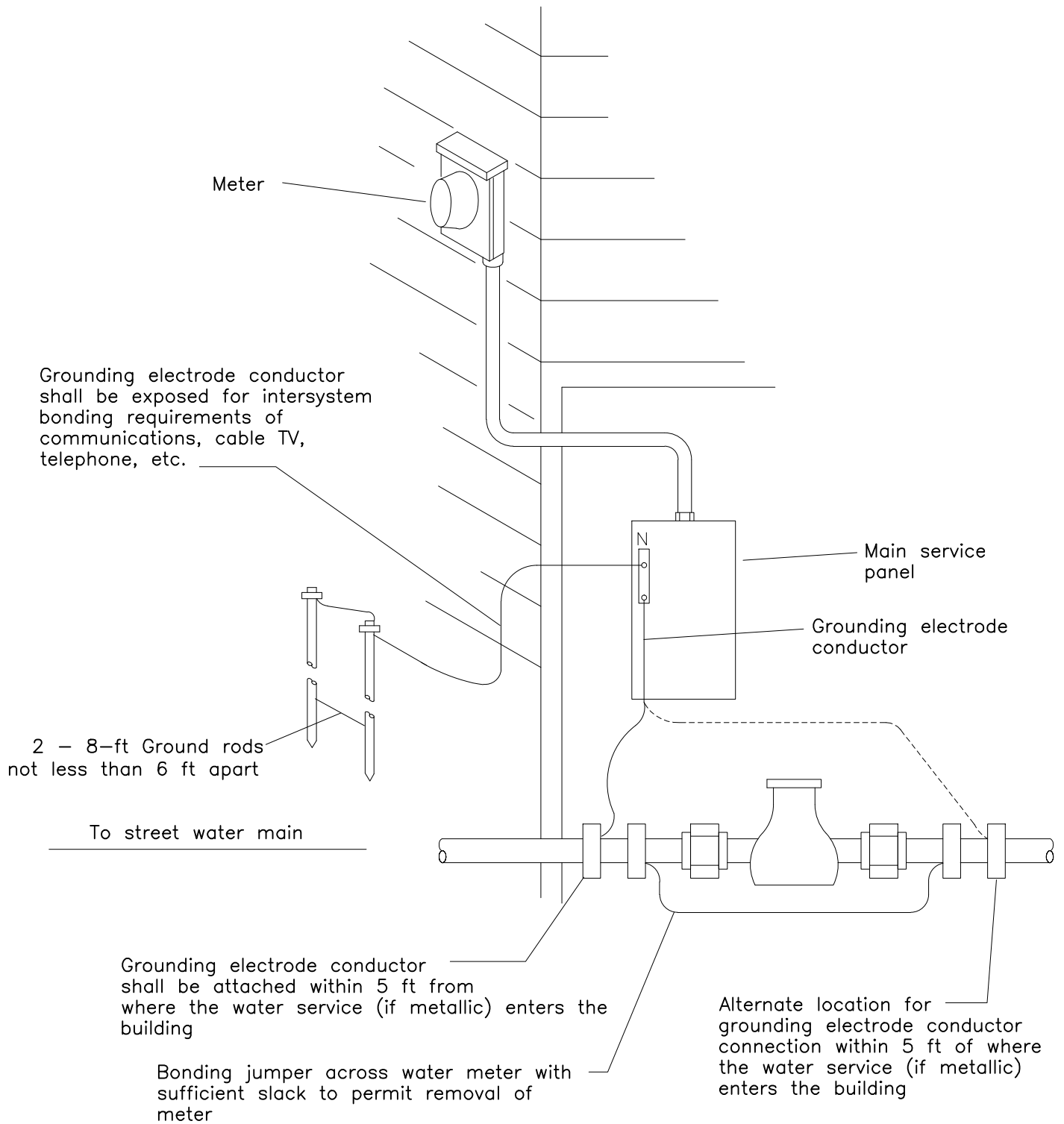
Notes:

1. For customer/Company responsibilities, see Exhibit 1.
2. Pole and temporary placement shall be approved by the Company.
3. This structure is for typical temporary service of short duration only see Section 4.0.
4. Base of temporary pole shall be a minimum of 3 ft from any building foundation or permanent structure.
5. Contractor shall run service lateral cables to the Company pedestal, handhole, or transformer. Contractor to leave 5-ft coil of cable for hookup at a pedestal/handhole or 10-ft coil at a transformer. Cable shall be either 3-conductor with a ground or a 2-conductor with ground cable with the white wire permanently marked as hot per NEC 310 and 200. "Tape is not approved" for marking 2-conductor cable.
6. Ground fault protection shall meet NEC Article 305.
7. All wood products shall be pressure treated.
8. For installation within 30 ft of a 50 kVA or larger transformer contact Company representative for available fault current to determine breaker rating.
9. Call state One-Call agency 3 days before construction. Refer to Sections 3.13 & 3.14.

TYPICAL TEMPORARY SERVICE UNDERGROUND INSTALLATION

FirstEnergy.

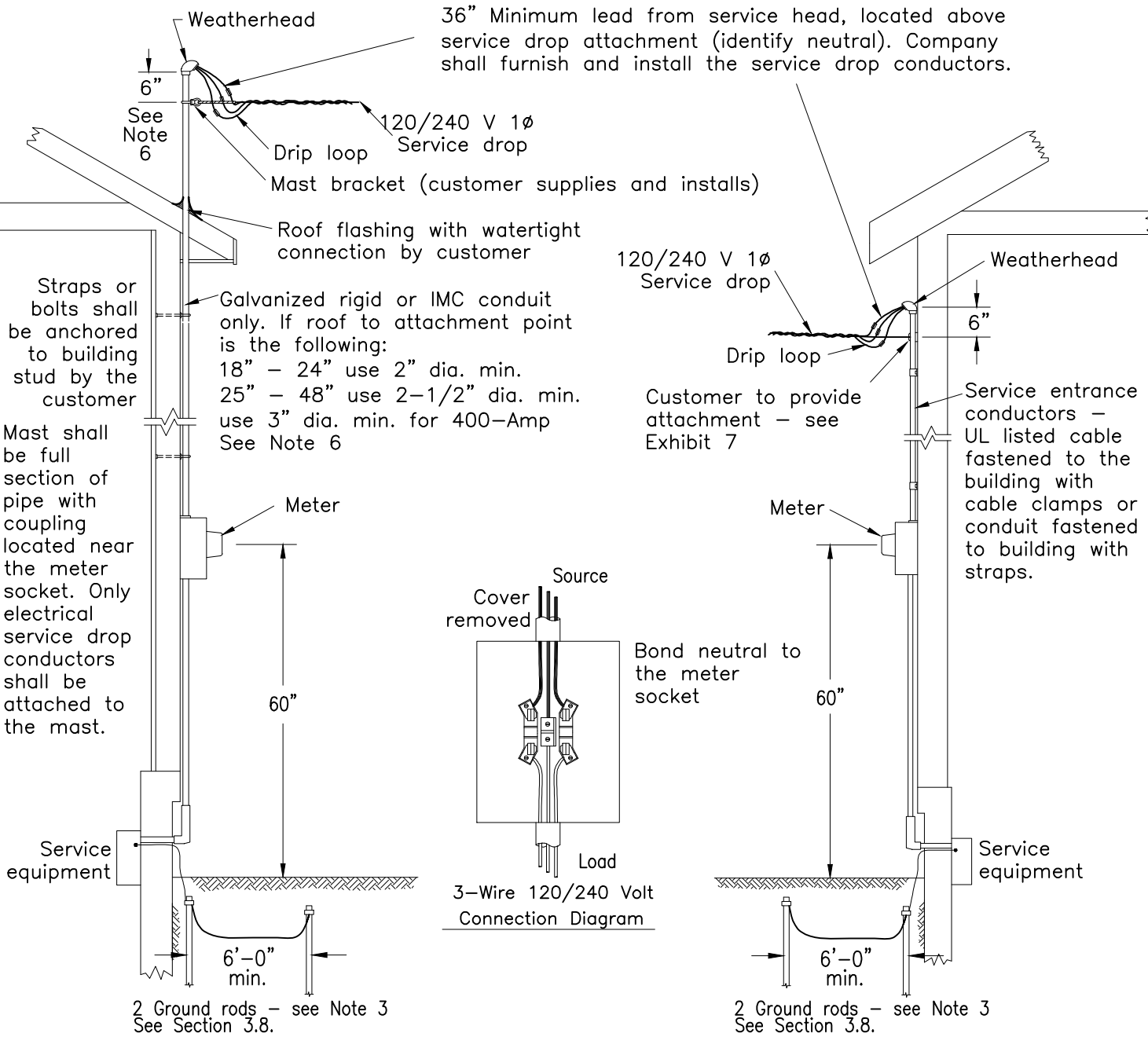
Service Guide	REV.
EXHIBIT 4	1
	DATE
	12/17



TYPICAL GROUNDING DETAILS

FirstEnergy.

Service Guide	REV. 1
EXHIBIT 5	DATE 12/17



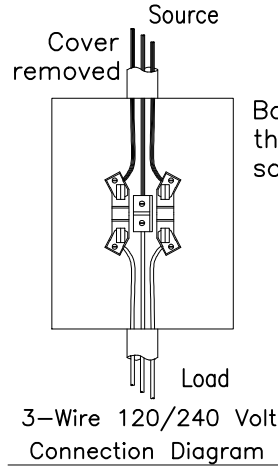
36" Minimum lead from service head, located above service drop attachment (identify neutral). Company shall furnish and install the service drop conductors.

Straps or bolts shall be anchored to building stud by the customer
 Mast shall be full section of pipe with coupling located near the meter socket. Only electrical service drop conductors shall be attached to the mast.

Galvanized rigid or IMC conduit only. If roof to attachment point is the following:
 18" - 24" use 2" dia. min.
 25" - 48" use 2-1/2" dia. min.
 use 3" dia. min. for 400-Amp
 See Note 6

Customer to provide attachment - see Exhibit 7

Service entrance conductors - UL listed cable fastened to the building with cable clamps or conduit fastened to building with straps.



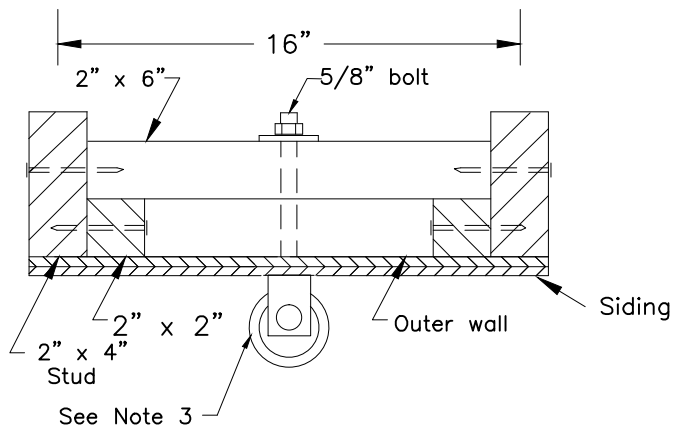
Notes:

1. For customer/Company responsibilities, see Exhibit 1.
2. Customer shall consult the Company for point of attachment and meter socket location. See Exhibit 2 for service drop clearance requirements.
3. Two 8-ft ground rods required - spaced a minimum of 6 ft apart (see Section 3.8).
4. See Section 7.0, for meter socket details.
5. Inhibitor compound shall be used on all aluminum wire terminations.
6. Guying may be required for a service mast mast over 36 inches or long service drops. Customer shall contact the Company for mast heights above 48 inches.

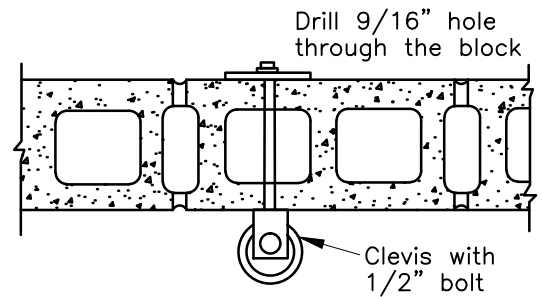
TYPICAL OVERHEAD SINGLE-PHASE SERVICE ENTRANCE INSTALLATION 400 AMP OR LESS



Service Guide	REV.
EXHIBIT 6	1
	DATE
	12/17

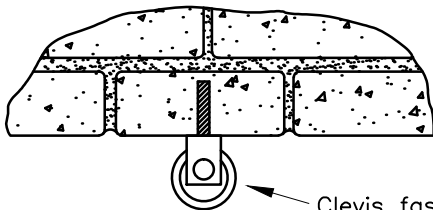


Wood, Aluminum, or Composition Siding



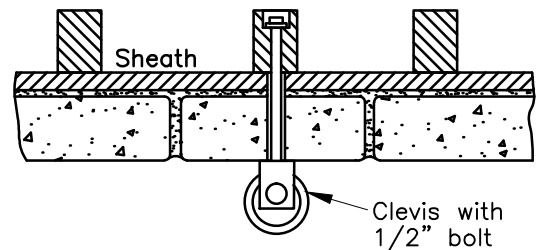
Cinder or Cement Block

To be installed in the brick or poured cement only, not in the brick mortar

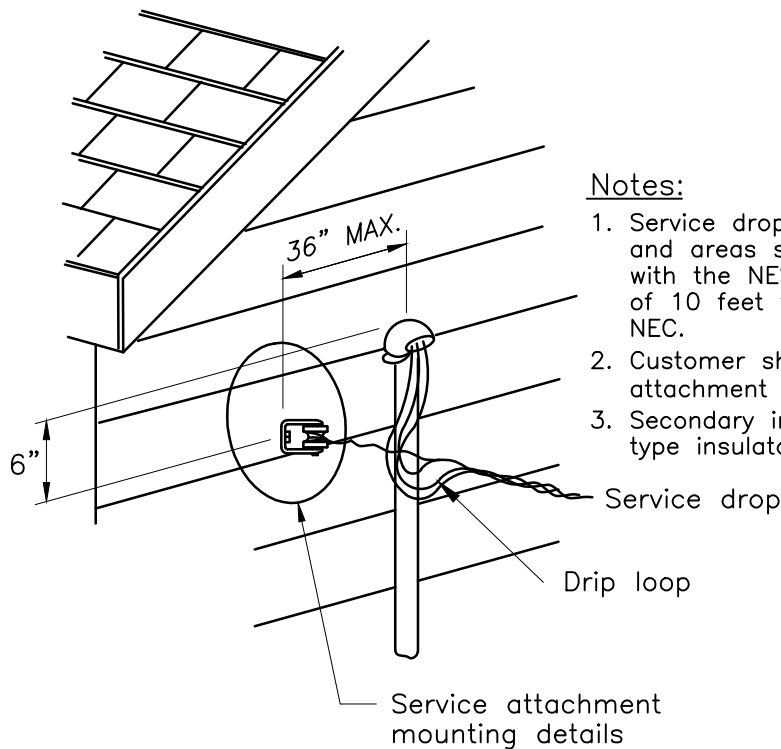


Solid Brick or Concrete Masonry

Drill 9/16" hole in stud and countersink bolt head Bolt shall be installed before brickwork is started.



Brick Veneer



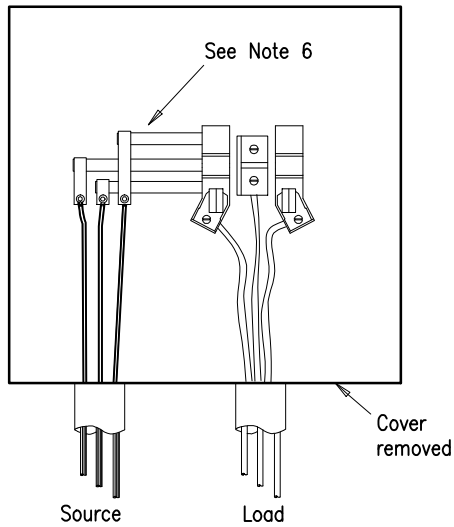
Notes:

1. Service drop clearances above grade, alleys, driveways, and areas subject to truck use, shall be in accordance with the NESC (see Exhibit 2). Minimum ground clearance of 10 feet to the bottom of the drip loop is required per NEC.
2. Customer shall provide, install, and maintain the service attachment at location approved by the Company.
3. Secondary insulators with clevis and 5/8" bolt. Screw-in type insulators are not acceptable.

**OVERHEAD SERVICE
TYPICAL SERVICE DROP ATTACHMENT**

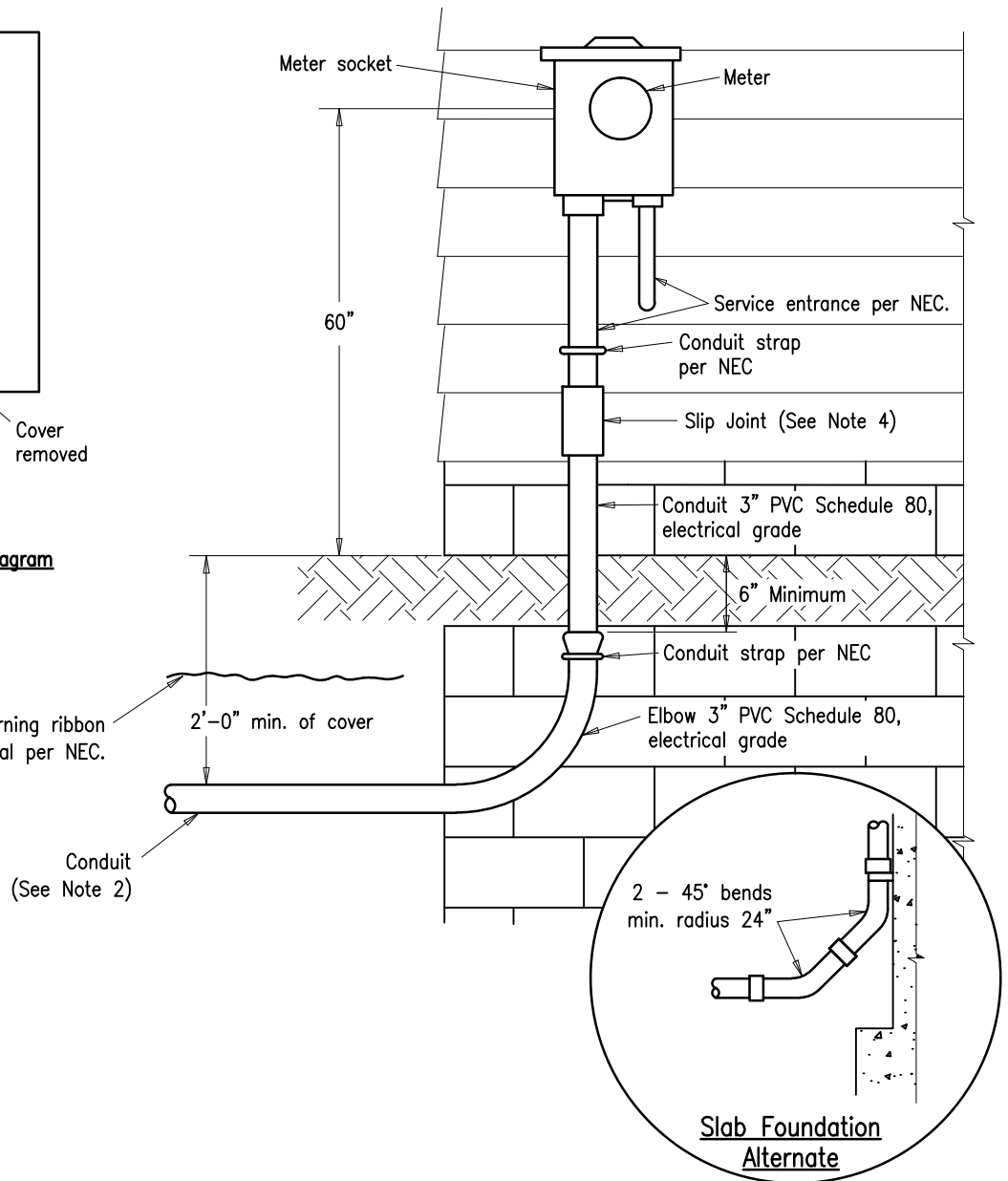
FirstEnergy.

Service Guide	REV.
	0
EXHIBIT 7	DATE
	2/15



3-Wire 120/240 Volt Connection Diagram

Customer supplied/installed warning ribbon
12" above customer service lateral per NEC.



Notes:

1. For customer/Company responsibilities, see Exhibit 1. Customer shall furnish and install meter socket (side-bussed), 3" conduit riser with slip-joint product, conduit straps, and a 3" 90° elbow. For slab foundations, 2 - 45° bends may be substituted for the 90° elbow (See Slab Foundation Alternate).
2. For trenching and conduit details, see Exhibit 24.
3. See Section 6.0 for underground service details.
4. Side-bussed meter socket only.

**TYPICAL SINGLE-PHASE UNDERGROUND
SERVICE LATERAL INSTALLATION
400 AMP OR LESS**

NJ

FirstEnergy.

Service Guide

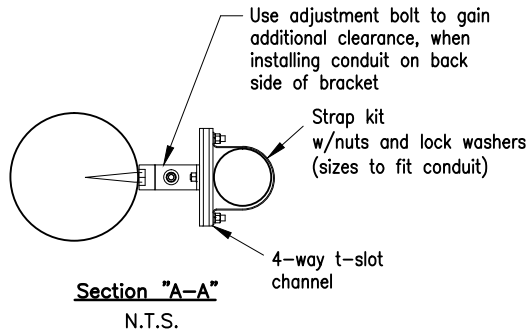
REV.

1

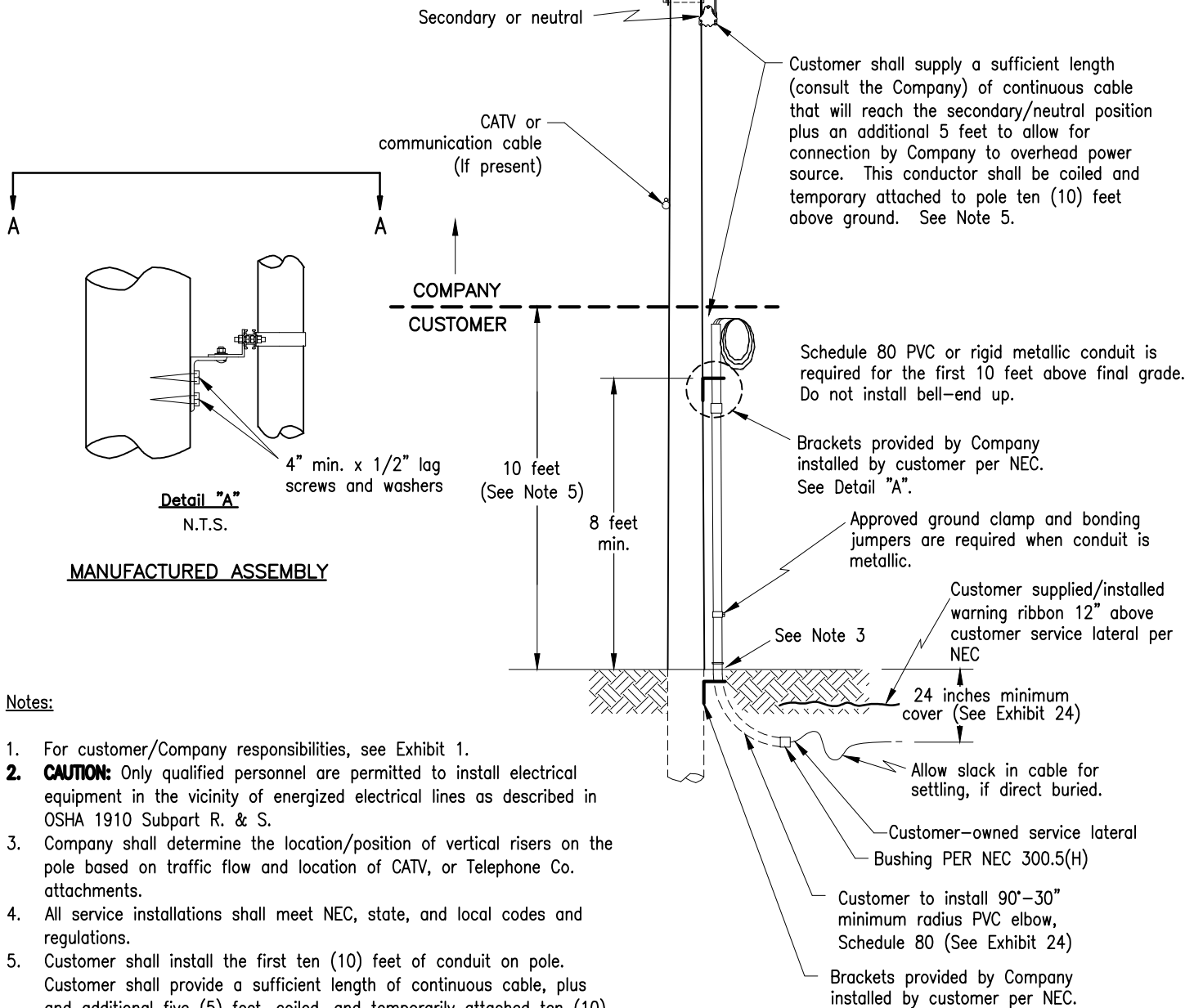
EXHIBIT 8

DATE

12/17



DANGER
HIGH VOLTAGE ABOVE
DO NOT CLIMB OR EXTEND
CONDUIT/WIRES ABOVE 10
FEET FROM GROUNDLINE
SEE NOTES 2 & 5



Detail "A"
N.T.S.

MANUFACTURED ASSEMBLY

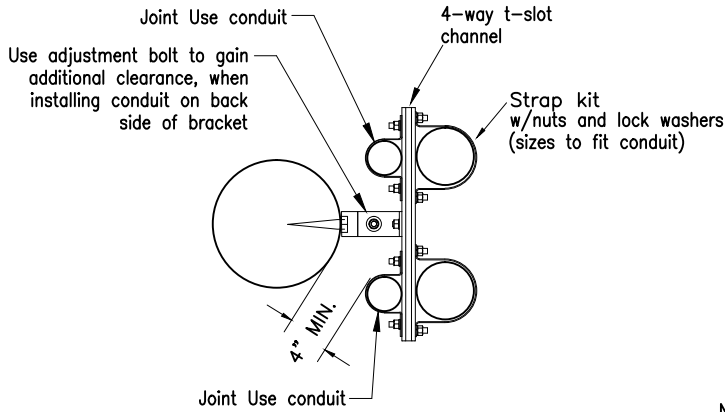
Notes:

1. For customer/Company responsibilities, see Exhibit 1.
2. **CAUTION:** Only qualified personnel are permitted to install electrical equipment in the vicinity of energized electrical lines as described in OSHA 1910 Subpart R. & S.
3. Company shall determine the location/position of vertical risers on the pole based on traffic flow and location of CATV, or Telephone Co. attachments.
4. All service installations shall meet NEC, state, and local codes and regulations.
5. Customer shall install the first ten (10) feet of conduit on pole. Customer shall provide a sufficient length of continuous cable, plus and additional five (5) feet, coiled, and temporarily attached ten (10) feet above ground, on pole to connect with overhead source. Company will complete the installation above 10 feet on pole.
6. Conduit size is limited to 4" dia. conduit size. For conduit diameter greater than 4", see Exhibit 10A.

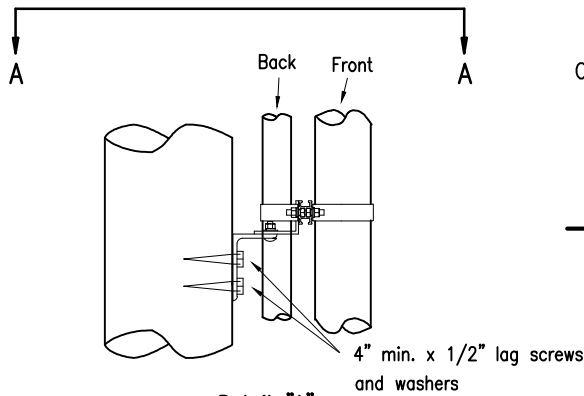
**STANDOFF ATTACHMENT OF SINGLE CUSTOMER-OWNED
UNDERGROUND SECONDARY SERVICE LATERAL
ON NEW JERSEY OPERATING COMPANY'S POLES**

FirstEnergy

Service Guide	REV.
EXHIBIT 9	1
	DATE
	10/18

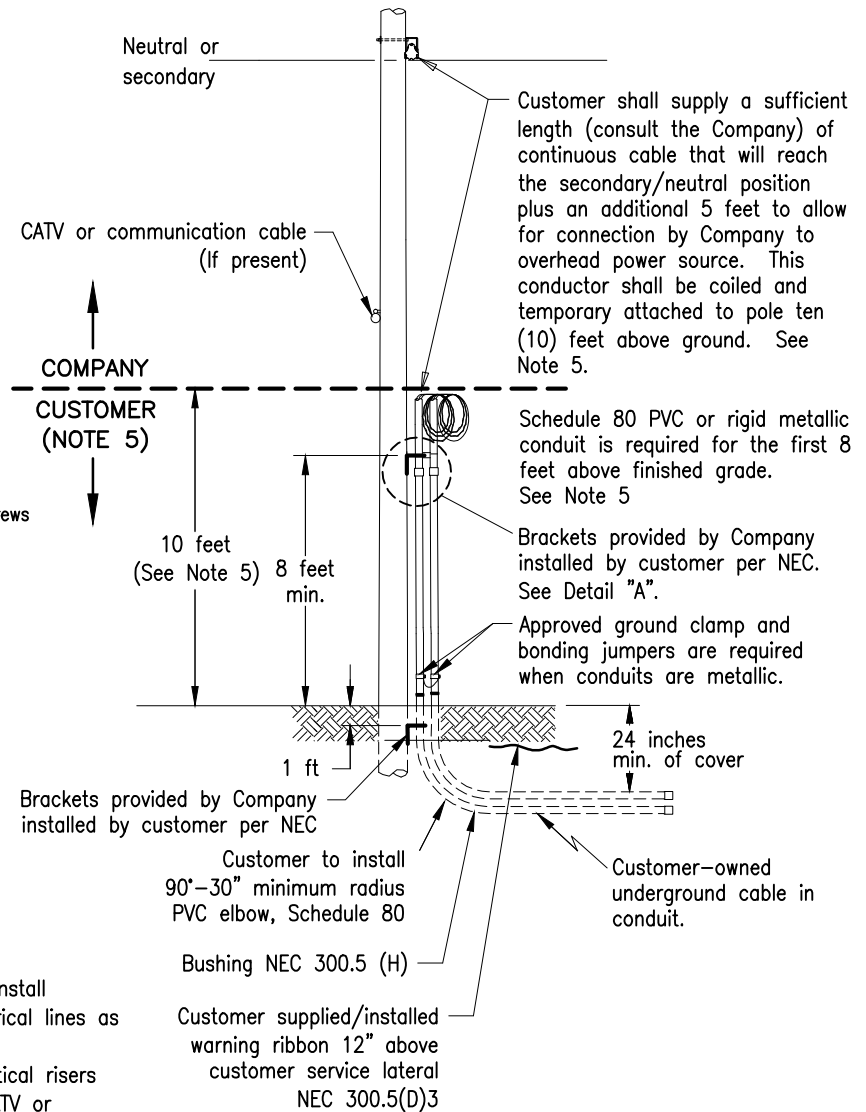


Section "A-A"
N.T.S.



MANUFACTURED ASSEMBLY

DANGER: HIGH VOLTAGE ABOVE. DO NOT CLIMB OR EXTEND CONDUIT/WIRES ABOVE 10 FEET FROM GROUNDLINE. SEE NOTES 2 & 5.

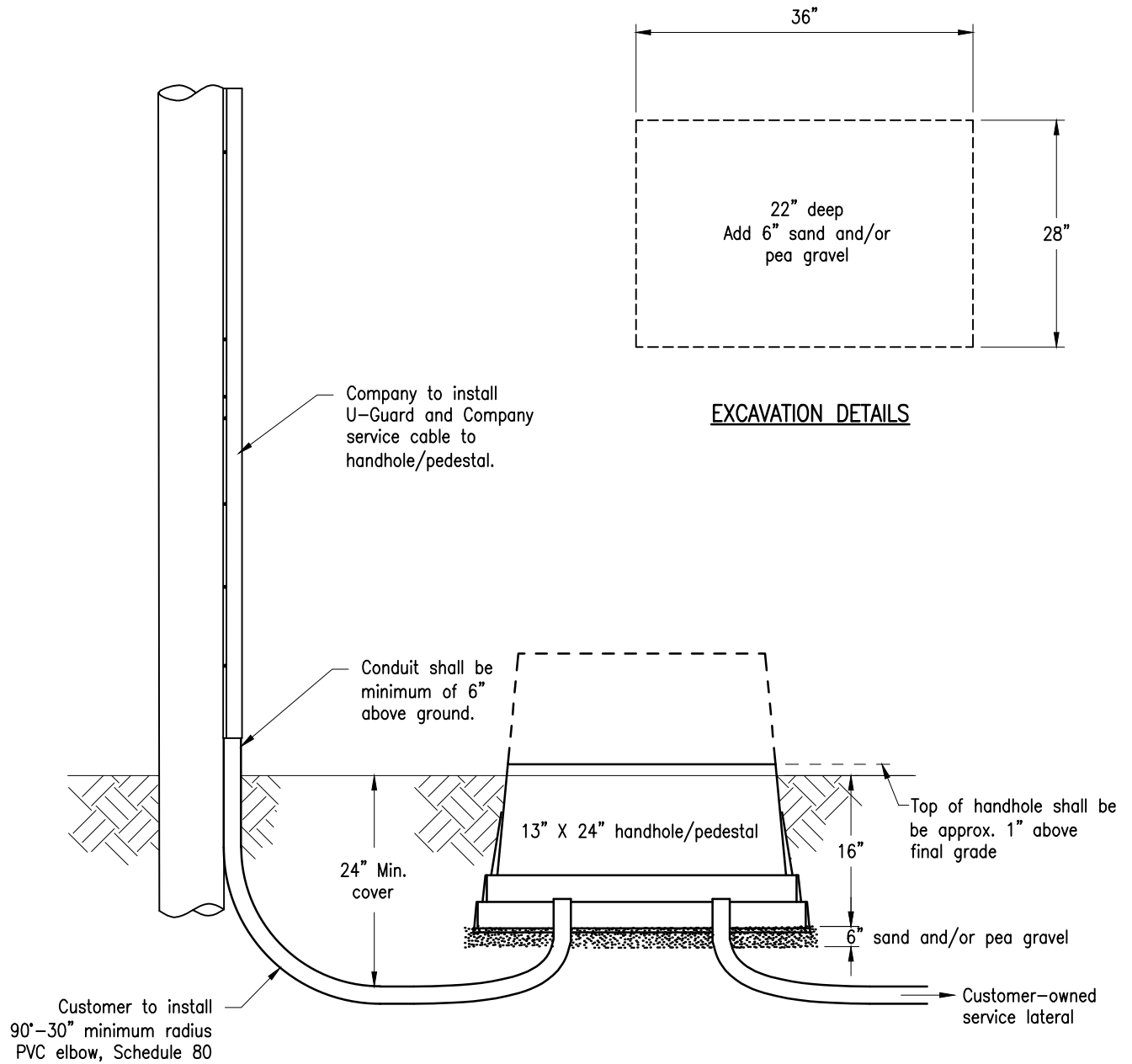


Notes:

1. For customer/Company responsibilities, see Exhibit 1.
2. **CAUTION:** Only qualified personnel are permitted to install electrical equipment in the vicinity of energized electrical lines as described in OSHA 1910 Subparts R. & S.
3. Company shall determine the location/position of vertical risers on the pole based on traffic flow and location of CATV or Telephone Co. attachments. Conduit shall maintain a minimum clearance of 6" below the secondary or neutral.
4. All service installations shall meet NEC, state, and local codes and regulations.
5. Customer shall install the first ten (10) feet of conduit on pole. Customer shall provide a sufficient length of cable coiled, and temporarily attached ten (10) feet above ground, on pole to connect to overhead source. Company will complete installation above ten (10) feet on pole.

STANDOFF ATTACHMENT OF MULTIPLE CUSTOMER-OWNED UNDERGROUND SECONDARY SERVICE LATERALS ON NEW JERSEY OPERATING COMPANY'S POLE

FirstEnergy	
Service Guide	REV. 1
EXHIBIT 10A	DATE 12/17



The use of this Exhibit requires Company approval.

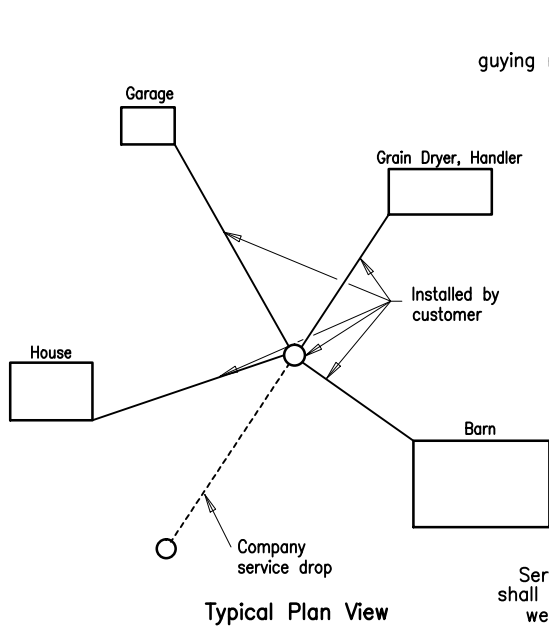
Notes:

1. For customer/Company responsibilities, See Exhibit 1.
2. Customer to excavate for handhole/pedestal and provide and install conduit on supply-side of handhole/pedestal. Company to provide and install handhole/pedestal and make connections to customer's service lateral conductors.

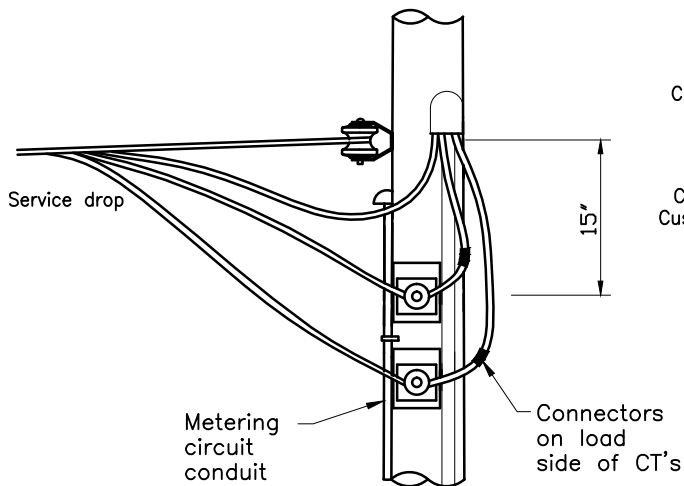
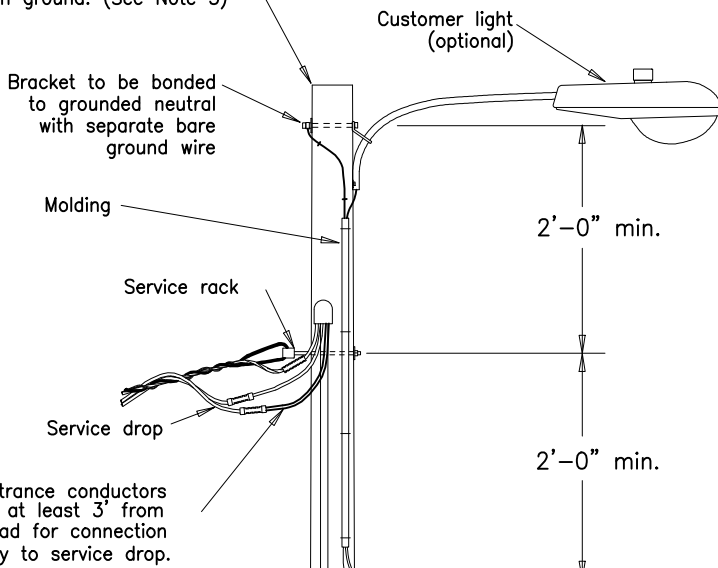
**CUSTOMER-OWNED UNDERGROUND
SECONDARY SERVICE LATERAL TO HANDHOLE/PEDESTAL**

FirstEnergy.

Service Guide	REV.
	0
EXHIBIT 10B	DATE
	9/18



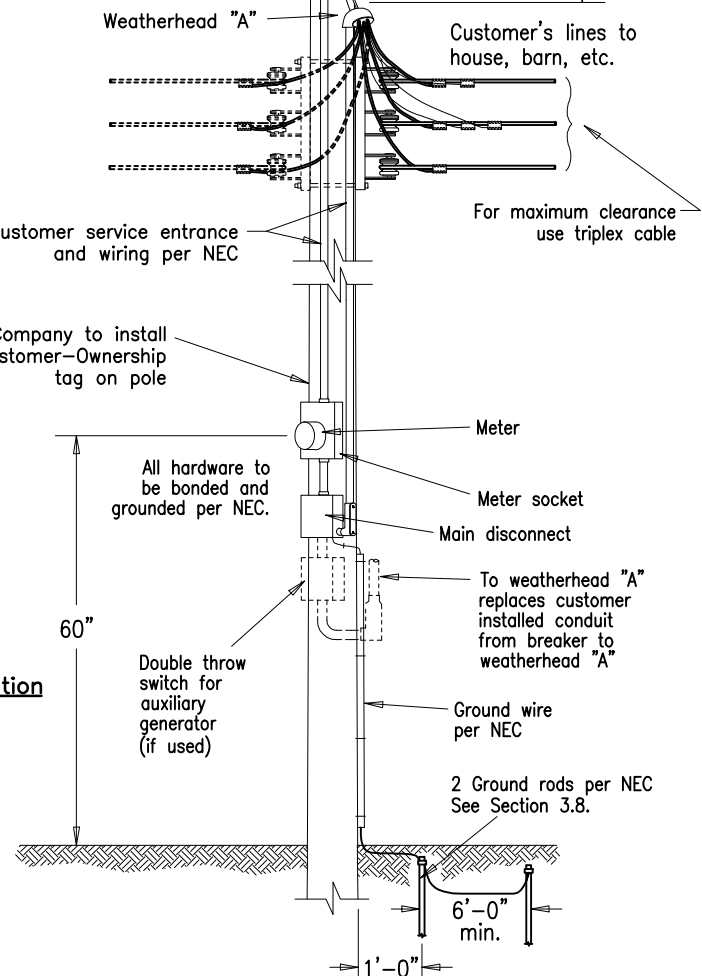
Customer-owned pole
Consult Company for location,
guying requirements, height, class and
depth in ground. (See Note 5)



Company-Approved Current Transformer Location
See Note 4

Notes:

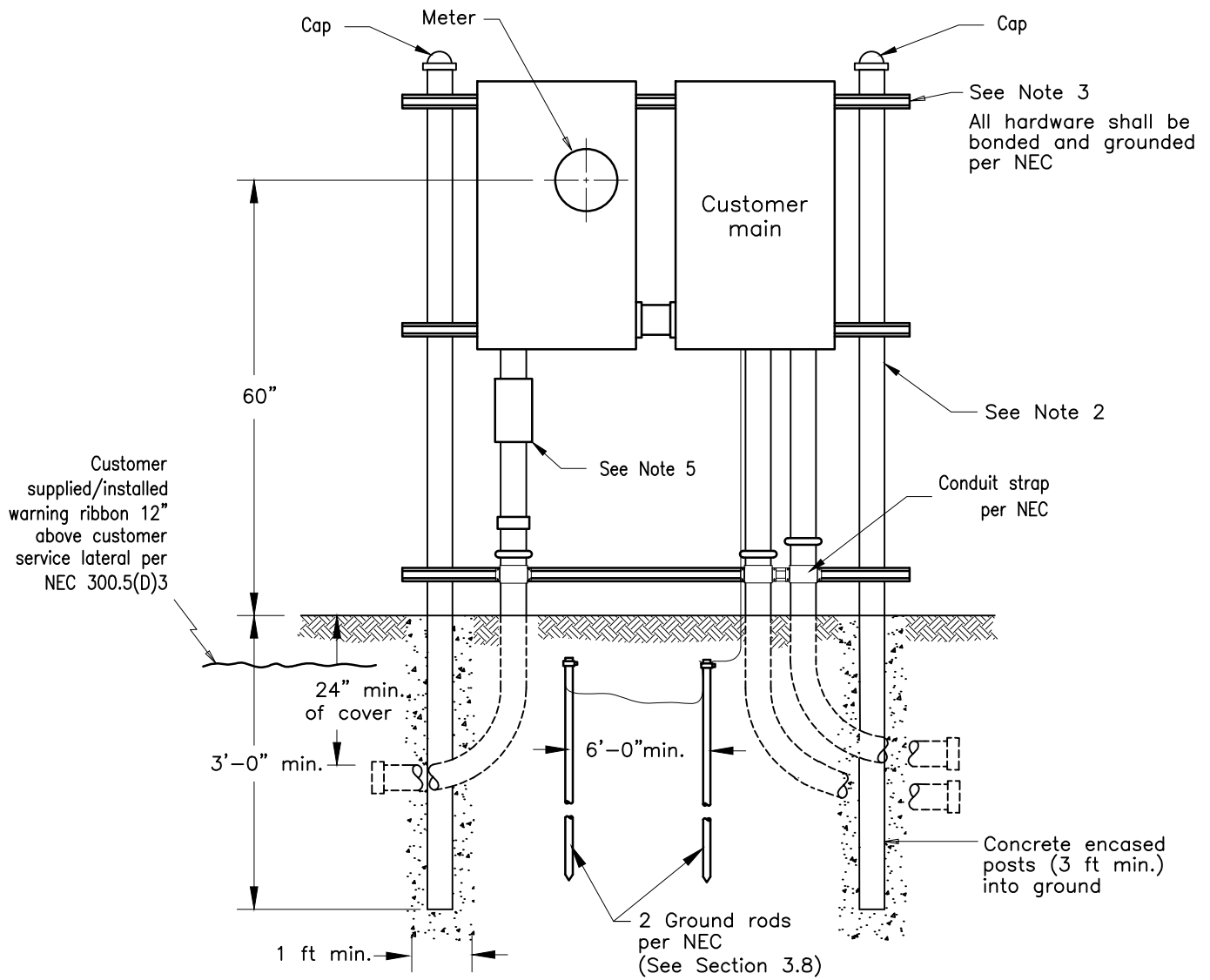
1. For customer/Company responsibilities, see Exhibit 1.
2. Service drop clearances above grade, alleys, driveways, and areas subject to truck use, shall be in accordance with NESC. Minimum ground clearance of 10 feet to the bottom of the drip loop is required per NEC (see Exhibit 2).
3. Service attachment shall be a secondary insulator with clevis and 5/8" dia. bolt fastened through the pole.
4. For services larger than 400 amps, current transformers are required – contact the Company for prior approval.
5. Minimum pole size 30 ft, Class 6, treated, installed 5 ft in ground.



TYPICAL OVERHEAD SERVICE CENTRAL DISTRIBUTION INSTALLATION

FirstEnergy

Service Guide	REV.
	0
EXHIBIT 11	DATE
	7/14



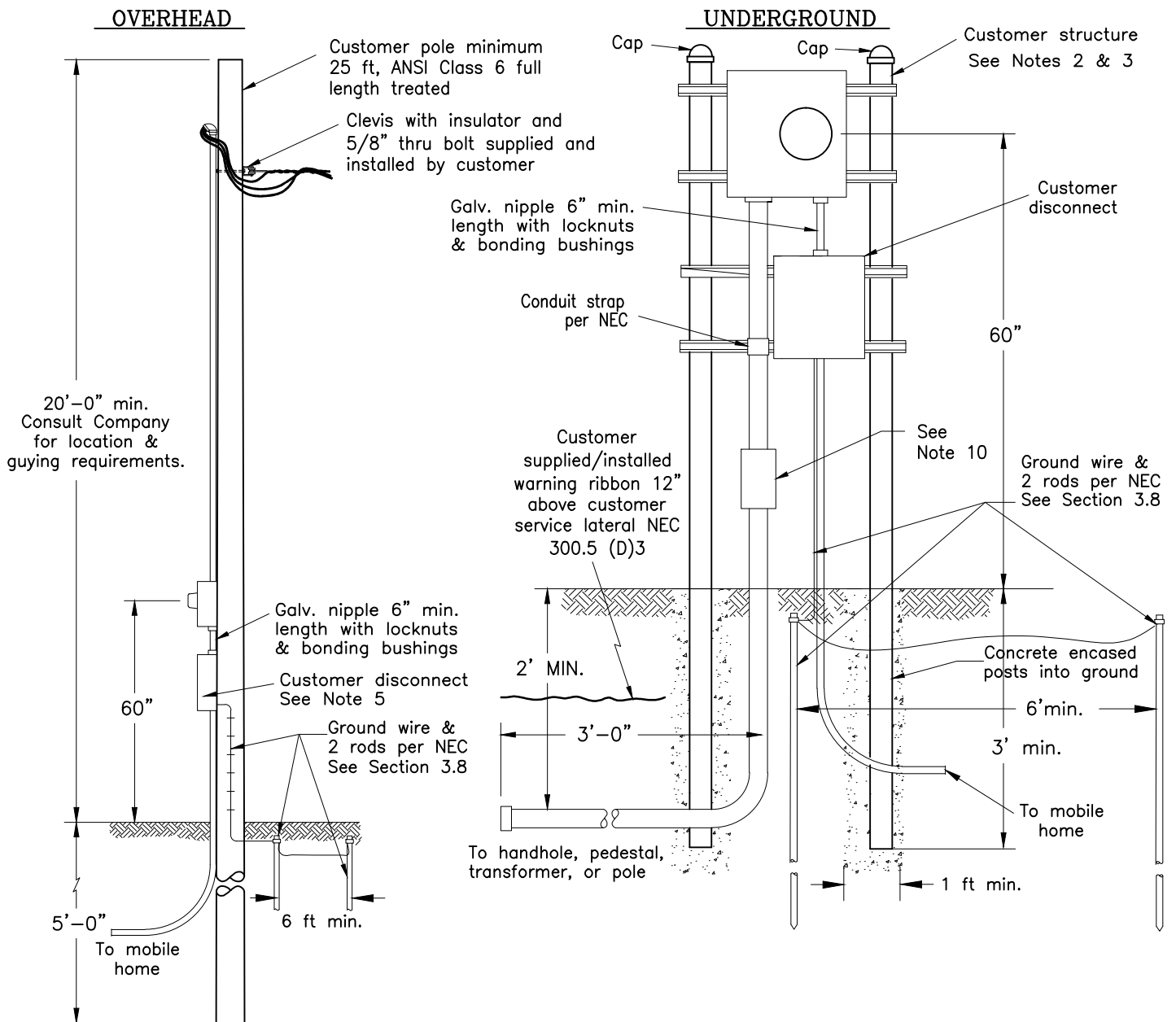
Notes:

1. For customer/Company responsibilities, see Exhibit 1.
2. Support post (customer-owned): use two 3-inch min. galvanized rigid metal conduit (RMC) – steel (min. 0.205" thick) capped and concrete encased in ground.
3. Mounting hardware: use three 12 gauge 1-5/8" x 1-5/8" continuous slot hot dipped galvanized channel (e.g., unistrut) complete with 1-1/4" x 5/16" dia. 13 thd. spring nut (2 per channel), 5/16" hex nut, and lock washer securely mounted to support posts.
4. Supply-side conduit shall be rigid galvanized or IMC steel, or Schedule 80 PVC (electrical grade).
5. The customer shall provide ground movement protection per NEC 300.5 (J) to prevent damage due to settling.
6. This Exhibit can also be used for stand-alone, self-contained metering.

**TYPICAL UNDERGROUND SERVICE
STAND-ALONE METERING/CENTRAL
DISTRIBUTION INSTALLATION**

FirstEnergy.

Service Guide	REV.
	1
EXHIBIT 12	DATE
	12/17



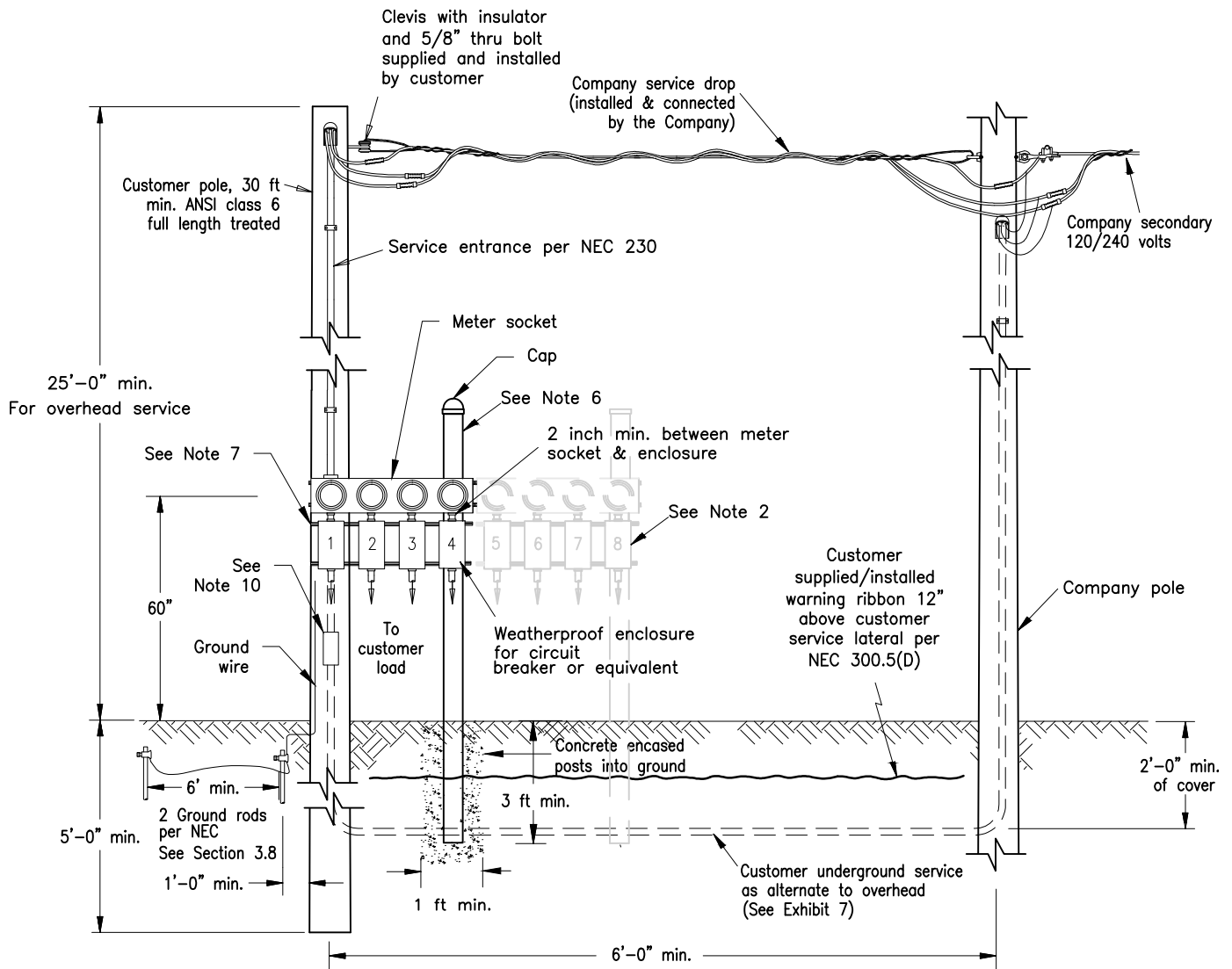
Notes:

1. For customer/Company responsibilities, see Exhibit 1.
2. Support post (customer-owned): use two 3-inch min. galvanized rigid metal conduit (RMC) – steel (min. 0.205" thick) capped and concrete encased in ground.
3. Mounting hardware: use four 12 gauge 1-5/8" x 1-5/8" continuous slot hot dipped galvanized channels (e.g., unistrut) complete with 1-1/4" x 5/16" dia. 13 thd spring nut (2 per channel), 5/16" hex nut, and lock washer securely mounted to support posts.
4. Prefabricated meter pedestal may be substituted for 2 & 3 above. Contact regional Metering Services.
5. Customer disconnect per NEC (located within sight of and within 30 feet of the mobile home).
6. Customer security light can be installed on the pole if a clearance of 2'-0" min. above or below the weatherhead is maintained and Company approval is obtained.
7. For identification purposes, the socket (inside & out) and breaker shall be permanently and plainly marked to designate the address number being served.
8. See trenching details Exhibit 24.
9. Supply-side conduit shall be rigid galvanized or IMC steel, or Schedule 80 PVC (electrical grade).
10. The customer shall provide ground movement protection per NEC 300.5 (J) to prevent damage due to settling.

**TYPICAL SINGLE MOBILE HOME SERVICE
OVERHEAD & UNDERGROUND**

FirstEnergy

Service Guide	REV.
	1
EXHIBIT 13	DATE
	12/17



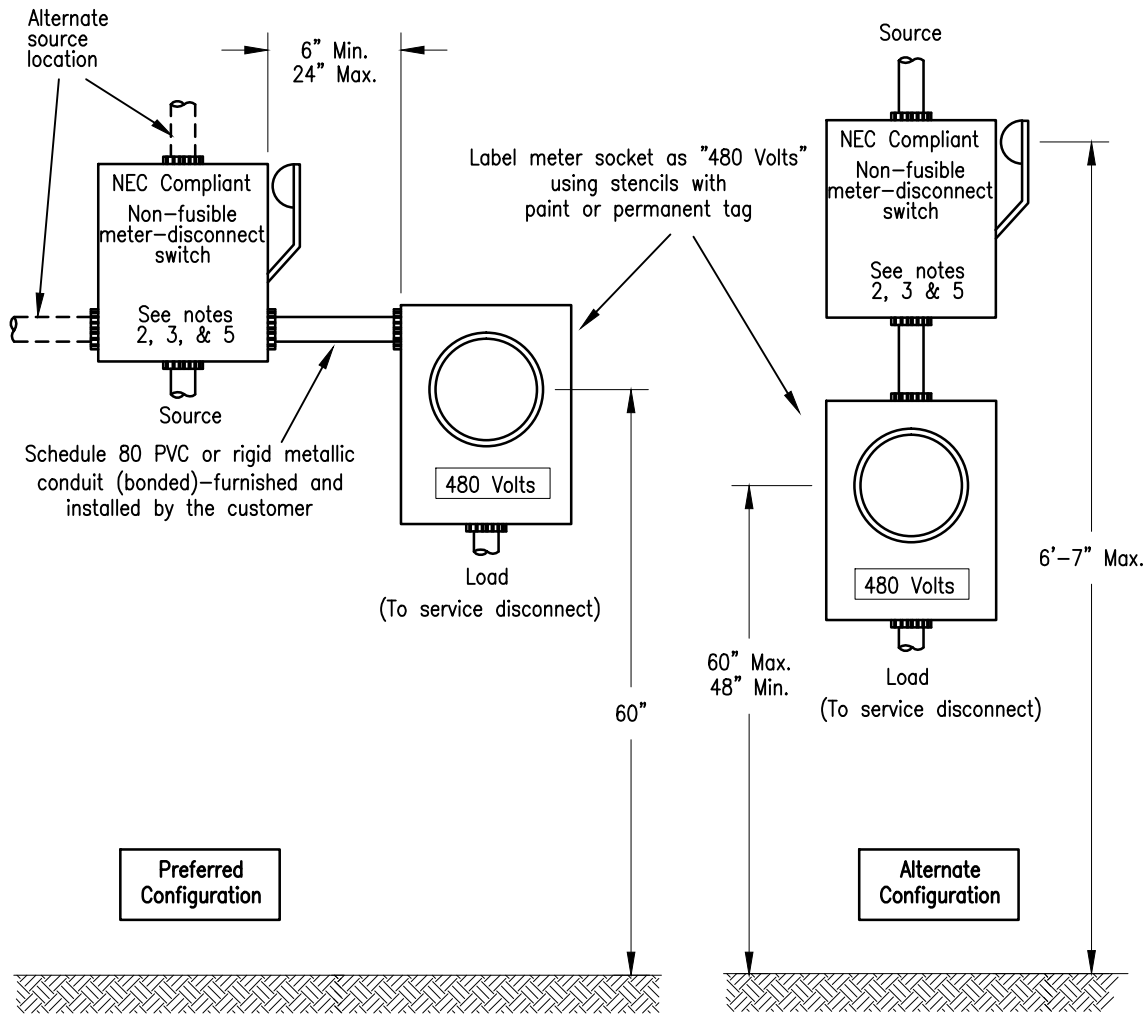
Notes:

1. For customer/Company responsibilities, see Exhibit 1.
2. All sockets (inside & out) and breakers shall be permanently and plainly marked to designate the particular unit served.
3. If more than six meters, a main disconnect is required (per NEC).
4. Wood poles shall be pressure treated.
5. All hardware shall be bonded and grounded per NEC.
6. Support post (customer-owned): use 3-inch min. galvanized rigid metal conduit (RMC) steel (min. 0.205" thick) capped and concrete encased in the ground for three or more meters
7. Mounting hardware: use four 12 gauge 1-5/8" x 1-5/8" continuous slot hot dipped galvanized channels (e.g., unistrut) complete with 1-1/4" x 5/16" dia. 13 thd. spring nut (2 per channel), 5/16" hex nut, and lock washer securely mounted to support posts.
8. Prefabricated meter pedestal may be substituted for 6 & 7 above. Contact regional Metering Services.
9. Supply-side conduit shall be rigid galvanized or IMC steel, or Schedule 80 PVC (electrical grade).
10. The customer shall provide ground movement protection per NEC 300.5 (J) to prevent damage due to settling.

**METERING & SERVICE FACILITIES
FOR MOBILE HOME & TRAVEL TRAILER PARKS
FOUR OR MORE METERS**

FirstEnergy

Service Guide	REV.
	1
EXHIBIT 14	DATE
	12/17



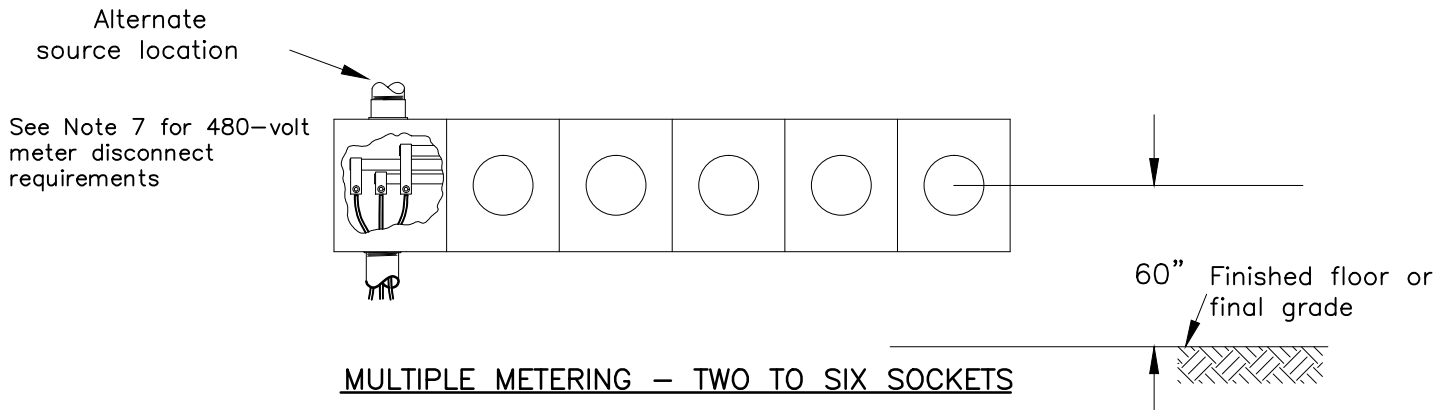
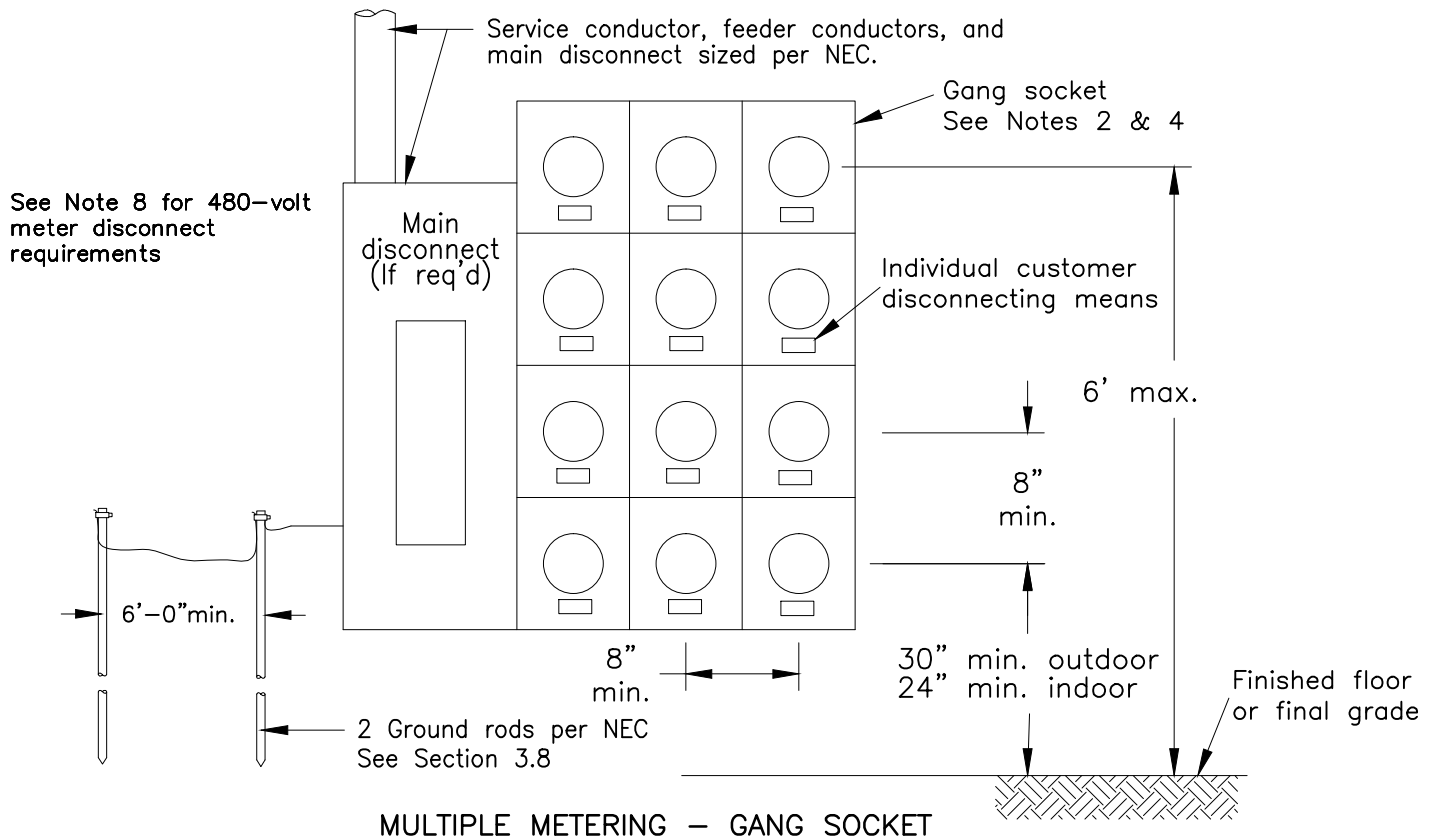
Notes:

1. For customer/Company responsibilities, see Exhibit 1.
2. NEC compliant non-fusible meter disconnect switch shall be supplied, installed, and maintained by the customer on the source side of the meter socket. Contact the Company's Metering Services Section for details regarding the requirements and to obtain approval for the proposed installation.
3. The non-fusible meter disconnect switch shall be lockable in the open and closed positions. The switch enclosure shall have provisions for a Company seal and/or padlock.
4. See Exhibit 16, for 480-volt gang- and multiple-socket unit installations.
5. For fault current greater than 10 kA, a fusible disconnect may be permitted. Customer shall contact the Company.

**METERING INSTALLATION
SINGLE-PHASE & THREE-PHASE 480 VOLT SELF-
CONTAINED METER WITH SOURCE-SIDE DISCONNECT
400 AMP OR LESS**

FirstEnergy.

Service Guide	REV.
	1
EXHIBIT 15	DATE
	12/17



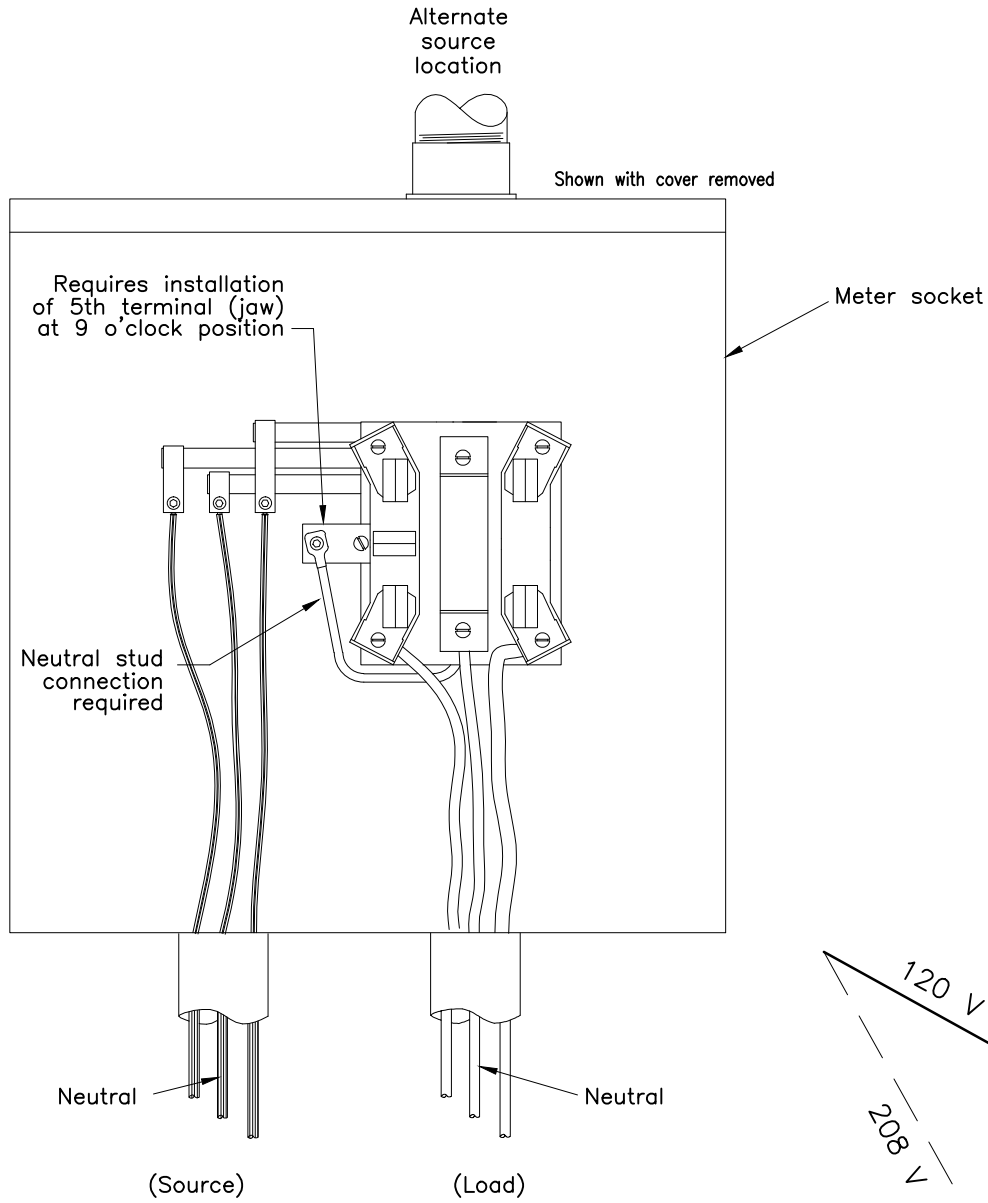
Notes:

1. For customer/Company responsibilities, see Exhibit 1.
2. Contact the regional Metering Services Section before installation of ganged sockets.
3. Main Disconnecting means not required for six meters or less.
4. Height shall not exceed 4-meter positions.
5. All sockets (inside and out) and breakers shall be permanently and plainly marked to designate the specific unit served.
6. If installation contains poly-phase or 480-volt meter sockets, these must be plainly marked.
7. For 480-Volt services, a disconnecting means is required on the source-side of each meter socket (see Exhibit 15 for details).

**MULTIPLE METER INSTALLATION
SELF-CONTAINED METERING
400 AMP OR LESS**

FirstEnergy.

Service Guide	REV. 1
EXHIBIT 16	DATE 12/17



NETWORK 120/208Y VOLT – 3-WIRE

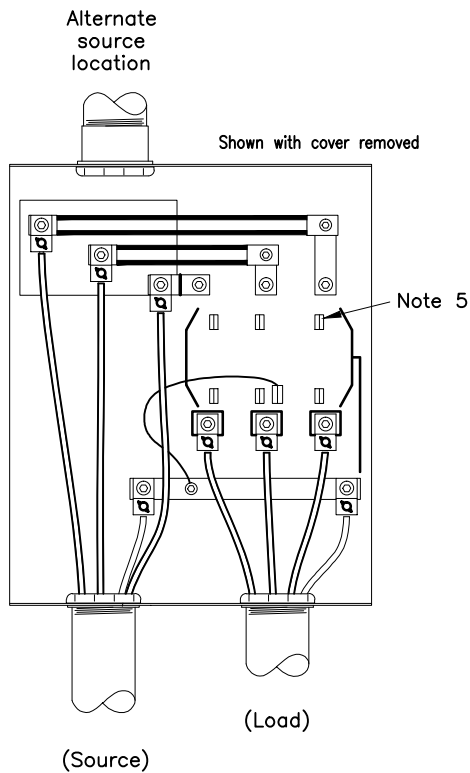
Notes:

1. For customer/Company responsibilities, see Exhibit 1.
2. Meter locations shall be approved by Company (regional Metering Services Section).
3. Customer service equipment shall be grounded per NEC (see Section 3.8).

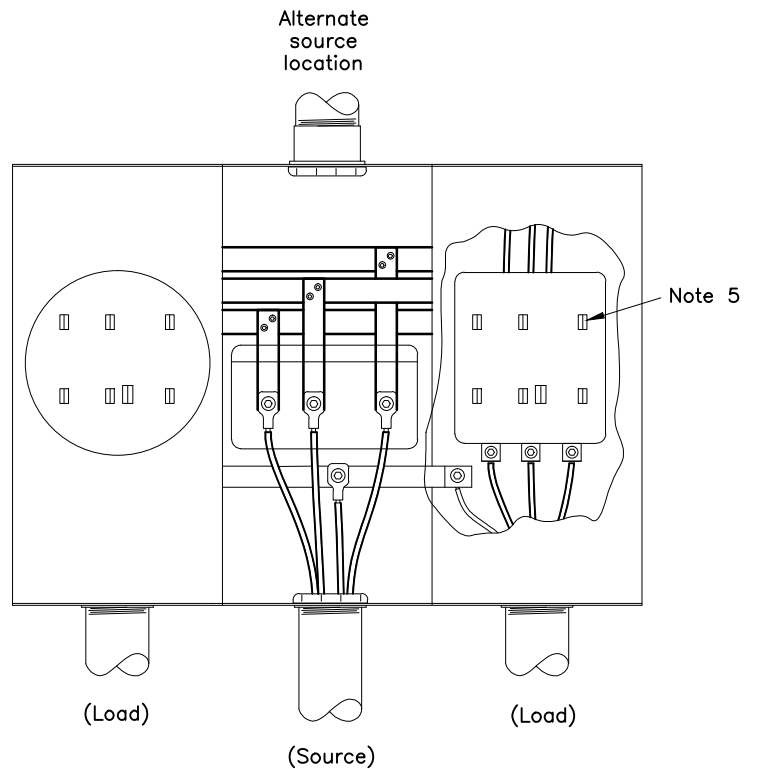
**METERING INSTALLATION – SELF-CONTAINED
SINGLE-PHASE 120/208Y V NETWORK
400 AMP OR LESS**

FirstEnergy.

Service Guide	REV. 1
EXHIBIT 17	DATE 12/17



SINGLE-SERVICE METERING



MULTI-SERVICE METERING

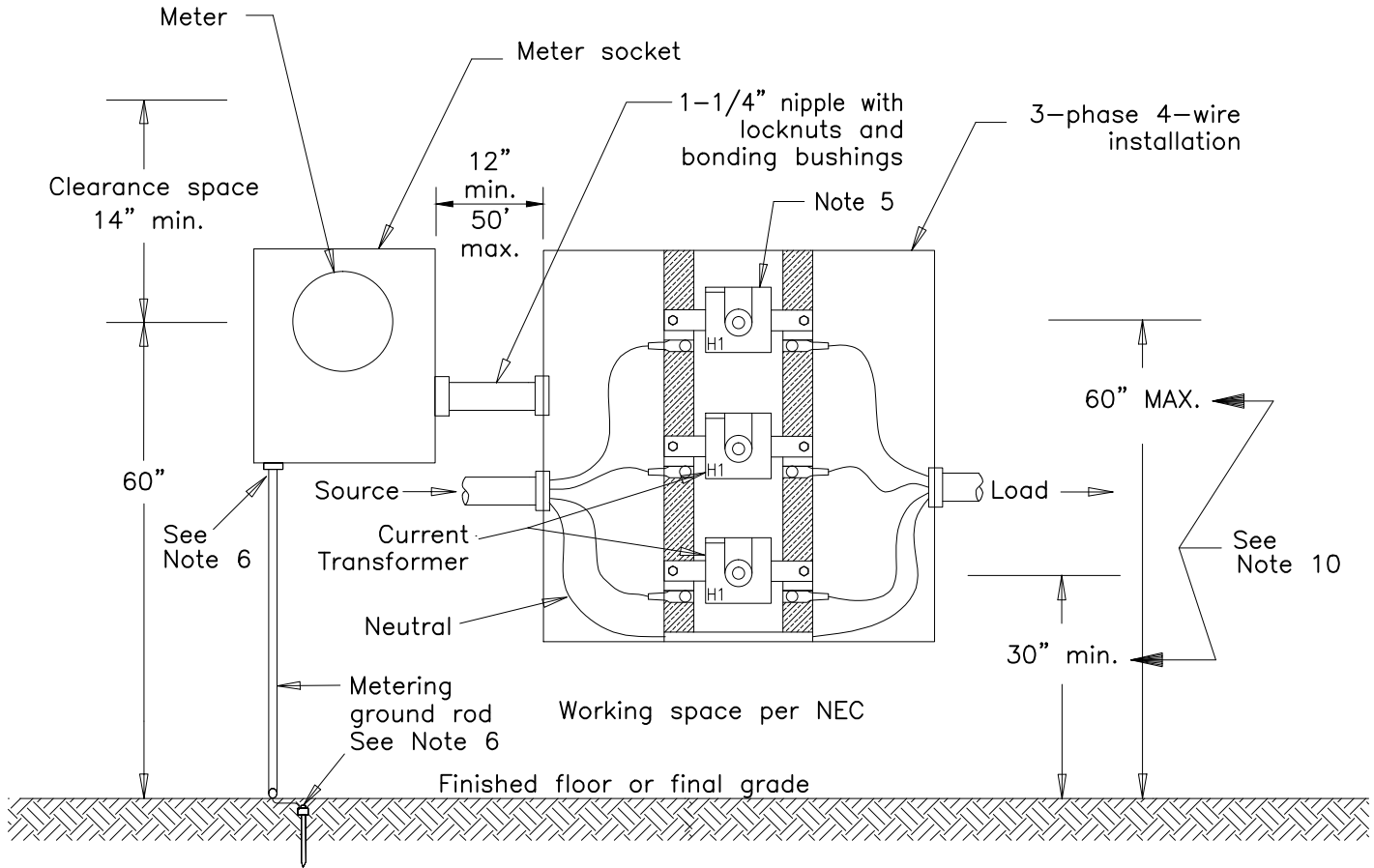
Notes:

1. For customer/Company responsibilities, see Exhibit 1.
2. All meter locations shall be approved by the Company.
3. Customer service equipment shall be grounded per NEC. (See Section 3.8.)
4. For 480-Volt services, a disconnecting means is required on the source side of the meter socket (see Exhibit 15 for details).
5. For three phase, 4-wire, delta services, the "high leg" (the phase with the highest voltage to ground) shall be terminated on the right jaw of the meter socket and shall be color-coded orange per NEC.

**METERING INSTALLATION
THREE-PHASE SELF-CONTAINED METERS
400 AMP OR LESS**

FirstEnergy.

Service Guide	REV. 1
EXHIBIT 18	DATE 12/17



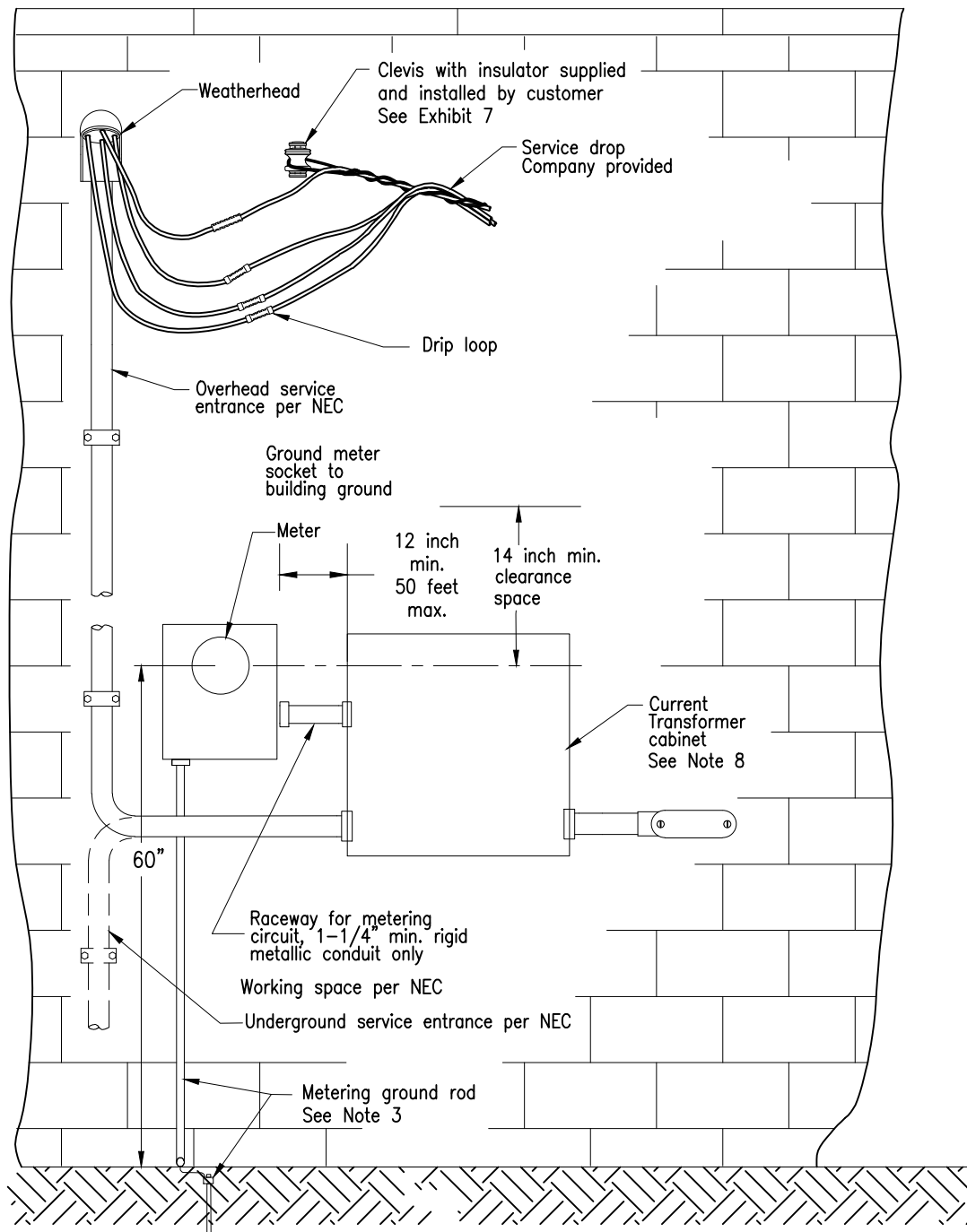
Notes:

1. For customer/Company responsibilities, see Exhibit 1.
2. See Section 7.10 for approved CT cabinets.
3. Customer shall provide bonding, grounding, and working space per NEC.
4. Mount H1 toward the source.
5. Arrange bus phases 1-2-3 top-to-bottom (shown above) or left-to-right for three-phase four-wire wye installations. For four-wire delta installations, the high leg shall be located on the top bus location and marked per NEC.
6. Customer shall furnish and install 5/8-inch x 8-foot ground rod with a #6 AWG copper ground wire connected to the meter socket ground lug. Protect the wire with non-metallic conduit.
7. Customer may be required to provide a telephone link to the meter socket location. Contact the regional Meter Services Section for requirements.
8. Current Transformer (CT) cabinet to be installed on exterior building wall, unless approved by the regional Metering Services Section.
9. No conduits shall enter the top of CT cabinet.
10. Mounting height of any CT above final grade or floor shall be 30 inch min. and 60 inch max. Refer to Exhibit 20 for mounting details.

**METERING INSTALLATION
OUTDOOR – METERING CABINET
WITH CURRENT TRANSFORMERS DETAILS**

FirstEnergy.

Service Guide	REV.
	1
EXHIBIT 19	DATE
	12/17

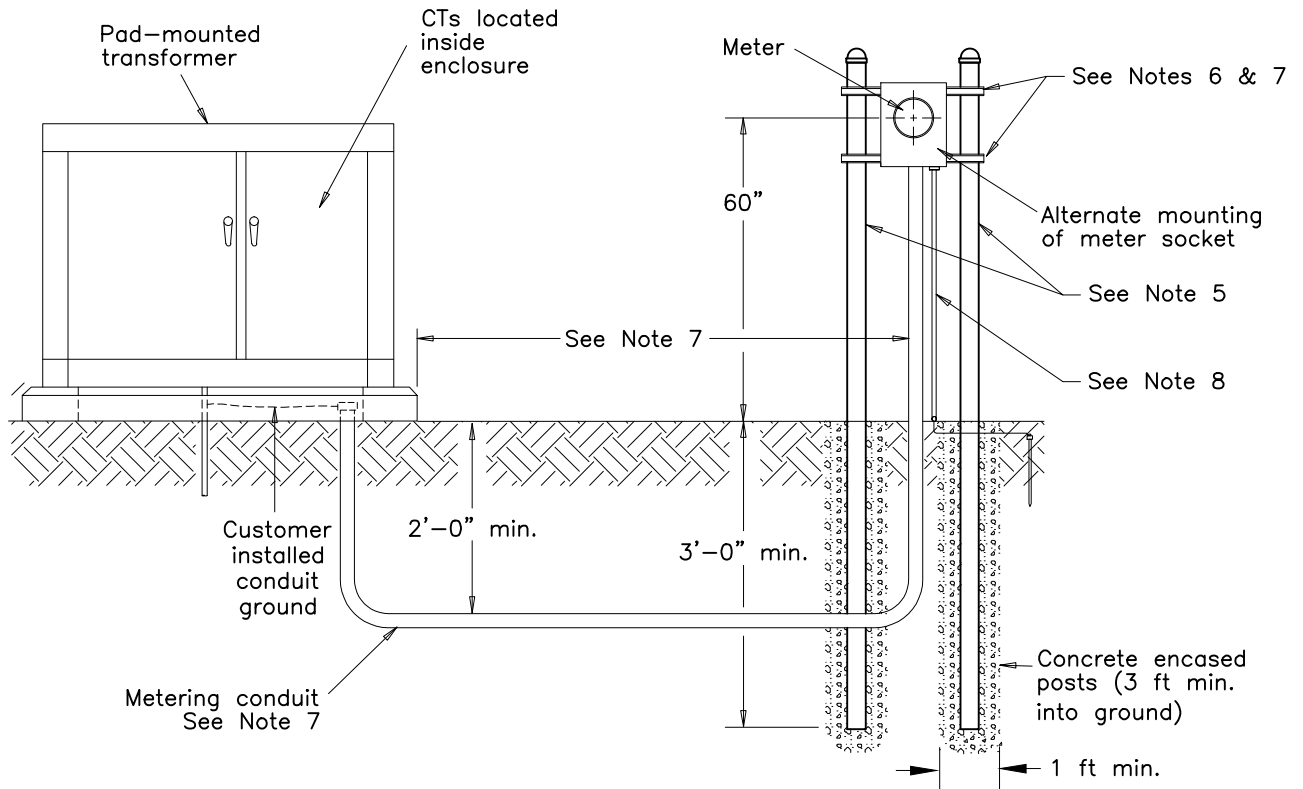


Notes:

1. For customer/Company responsibilities, see Exhibit 1.
2. Customer shall provide bonding, grounding, and working space per NEC.
3. Customer to furnish and install 5/8-inch diameter x 8-foot ground rod with a #6 copper ground wire connected to the meter socket ground lug. Protect the wire with non-metallic conduit.
4. Customer may be required to provide a telephone link to the meter socket location. Contact the regional Metering Services Section.
5. Where meter is exposed to vehicle traffic, customer shall install protective bumper posts 36" from meter. Post shall be 6" rigid galvanized steel pipe filled with concrete, capped, and painted bright yellow. (see Exhibit 30)
6. Current transformer (CT) cabinet to be installed on exterior building wall. (For indoor CT cabinet installations, contact the regional Metering Services Section)
7. No conduit shall enter the top of CT cabinet.
8. See Exhibit 19 for CT cabinet mounting, installation, and information.

**METERING INSTALLATION
OUTDOOR CURRENT TRANSFORMER CABINET
MOUNTED ON A BUILDING**

FirstEnergy.	
Service Guide	REV.
	1
EXHIBIT 20	DATE
	12/17



The use of this Exhibit requires Company approval.

Notes:

1. For customer/Company responsibilities, see Exhibit 1.
2. Customer shall consult the Company for the trench termination point and length of additional service cable to be provided for final connection by the Company.
3. The meter socket mounting may be on the customer's building. If this is not feasible, approval shall be obtained from the Company to use a stand-alone meter installation as described on this page.
4. All dimensions not defined are variable to accommodate metering apparatus.
5. Support post (customer-owned): use two 3-inch min. galvanized rigid metal conduits (RMC) – steel (min. 0.205" thick) capped and concrete encased in the ground.
6. Mounting hardware: use two 12-gauge 1-5/8" x 1-5/8" continuous slot hot dipped galvanized channels (e.g., Unistrut) complete with 1-1/4" x 5/16" dia. 13 thd. spring nut (2 per channel), 5/16" hex nut, and lock washer securely mounted to support posts.
7. Metering conduit: use 1-1/4" min. galvanized rigid metallic conduit with all threaded joints and insulated bonding bushings on both ends. Total length shall not exceed 50 feet. Conduit shall be grounded at the transformer.
8. Customer to furnish and install 5/8-inch x 8-foot ground rod with a #6 AWG copper ground wire connected to the meter socket ground lug. Customer shall protect the wire with non-metallic conduit.
9. Customer may be required to provide a telephone link to the meter socket location. Contact the regional Meter Services Section.
10. Where meter is exposed to vehicle traffic, customer shall install protective bumper posts 36 inches from the meter. Posts shall be 6-inch rigid galvanized steel pipe filled with concrete, capped, and painted bright yellow. Refer to Exhibit 30.

**UNDERGROUND SECONDARY SERVICE
IN PAD-MOUNTED TRANSFORMER
WITH CURRENT TRANSFORMERS**

NJ

FirstEnergy.

Service Guide

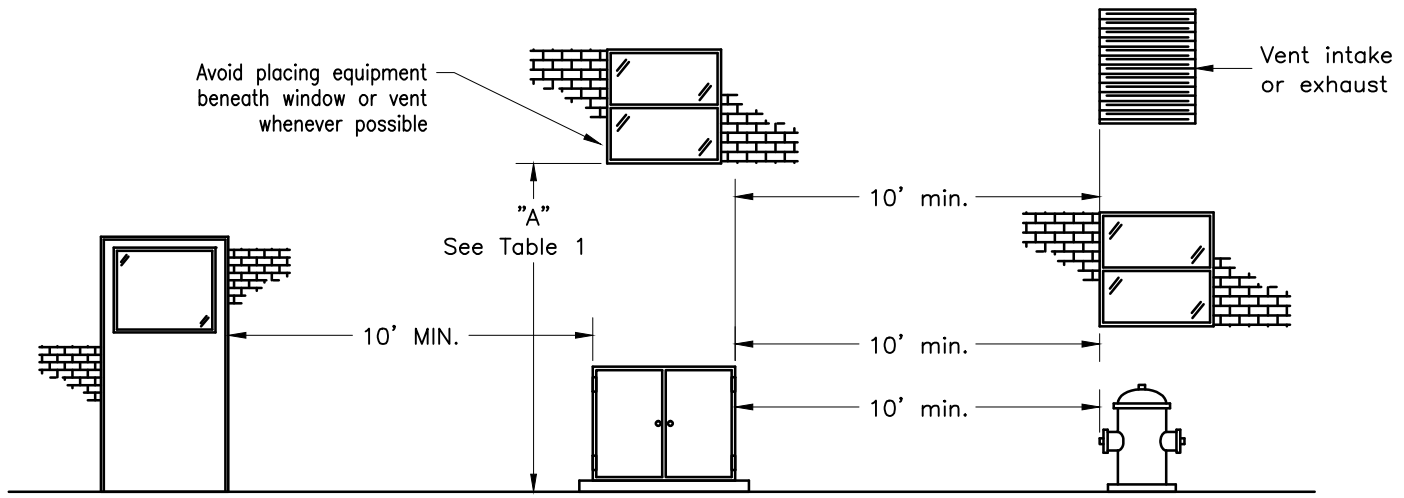
REV.

0

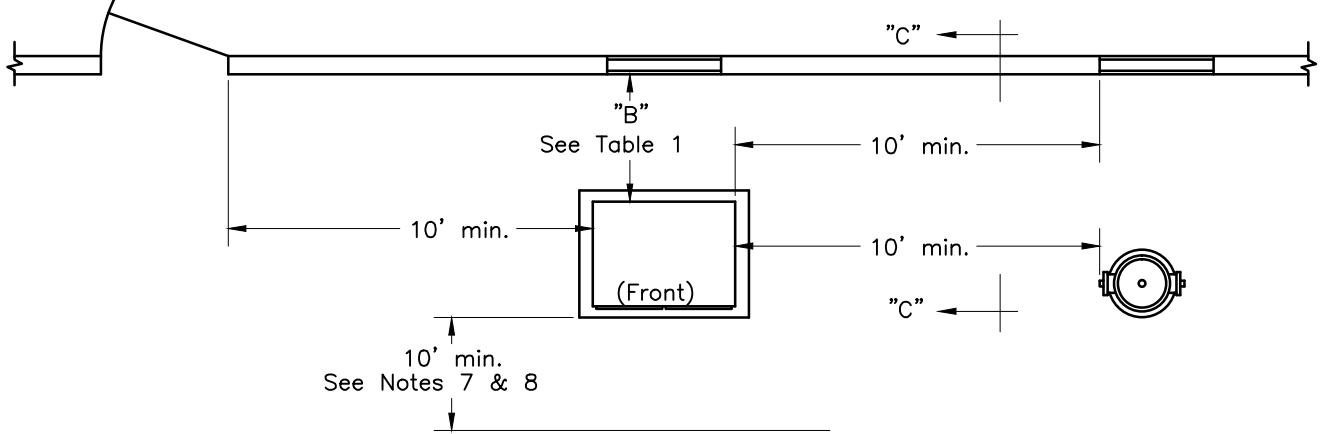
EXHIBIT 21

DATE

6/15

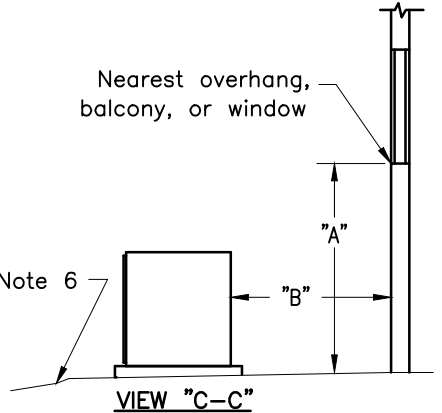


ELEVATION VIEW



PLAN VIEW

Building Surface Type	Minimum Distance "B" in feet to building vertical surface	
	"A" > 18 ft	"A" ≤ 18 ft
Steel or masonry *	4 ft	10 ft
Wood, vinyl, or aluminum	10 ft	10 ft



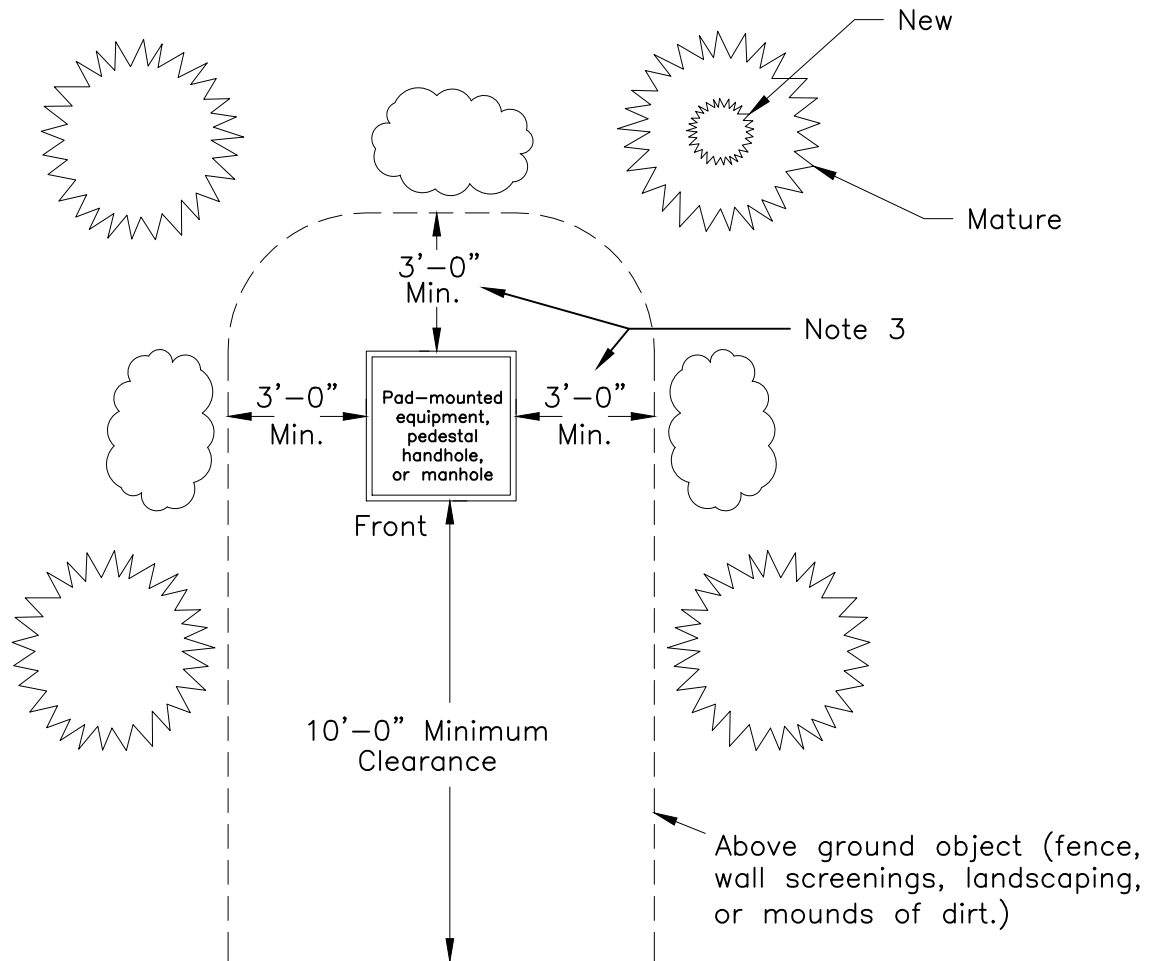
VIEW "C-C"

A = vertical distance in feet to nearest overhang, balcony, or window.
 * 2-hour fire rating (minimum)

Notes:

1. Adequate passageways shall be provided to accommodate line trucks or other necessary lifting equipment for maintenance or replacement.
2. Building overhangs or balconies shall not extend over the top of pad-mounted equipment.
3. 3 ft minimum clearance to gas meter.
4. 10 ft minimum clearance to fire hydrants, fire escapes, sprinkler valves, standpipes, doorways, & open stairways.
5. 15 ft minimum clearance to storage tanks containing flammable liquids or gases (e.g., propane, gas, oxygen).
6. Area around pad-mounted equipment shall slope away from the building or be curbed to confine oil from a ruptured tank.
7. The front of the pad-mounted equipment shall face away from the building. If equipment must face a building, 10 ft minimum clearance shall be maintained.
8. No vegetation (e.g., shrubs), fences, or other permanent objects shall be set within 3 ft from the sides and back or 10 ft from the front or any side with a door of any pad-mounted equipment (refer to Exhibit 23).
9. Customer is responsible to comply with any and all building codes, local ordinances, and insurance regulations associated with the equipment installation.
10. If TABLE 1 minimum clearances cannot be met, the customer shall construct a fire resistant barrier.

MINIMUM CLEARANCES FROM STRUCTURES FOR OIL-FILLED PAD-MOUNTED EQUIPMENT	FirstEnergy.	
	Service Guide	REV. 1
	EXHIBIT 22	DATE 2/15



Notes:

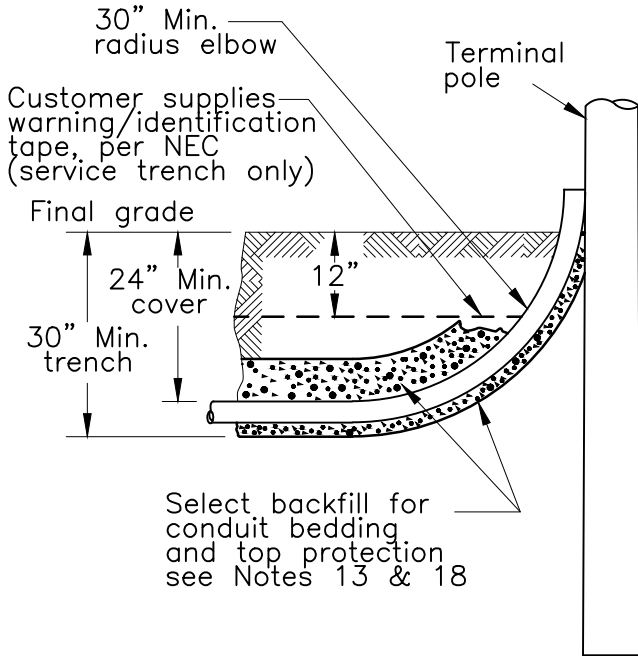
1. **Warning:** Pad-mounted transformers and pad-mounted equipment have underground electric cables entering and exiting them below grade. When it is decided to install plants or objects around a pad, call the appropriate state One-Call agency found in Section 3.13 before digging so that underground cable locations can be marked.
2. Three (3) feet minimum clearance shall be maintained even after all plants have reached their maturity. **To allow future growth, plant vegetation should be placed at least seven (7) feet from the back and side of the pad-mounted device, pedestal, or hardware.** Avoid planting shrubs or setting posts directly over cables.
3. If pad-mounted equipment is a switch or other similar device with front, side, or rear doors, the minimum 3-foot clearance shall be increased to 10 feet.
4. Minimum safety clearances to gas meters shall be three (3) feet and to tanks containing flammable liquids or gases (e.g., propane, gas, oxygen) fifteen (15) feet.
5. For minimum clearances to buildings or structures – see Exhibit 22.
6. Company shall not be responsible for replacing shrubs, plants, fences, wall screenings, and other obstructions that need to be removed for maintenance or restoration work.

CLEARANCES OF PAD-MOUNTED EQUIPMENT, PEDESTALS, HANDHOLES, OR MANHOLES FROM SHRUBS, PLANTS, FENCES, WALL SCREENINGS, & OTHER OBSTRUCTIONS

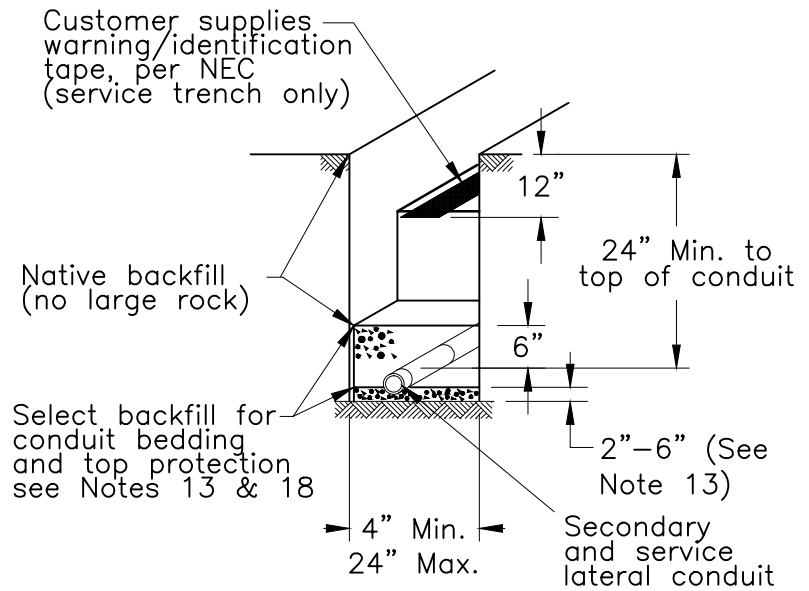
FirstEnergy.

Service Guide	REV.
EXHIBIT 23	1
	DATE
	12/17

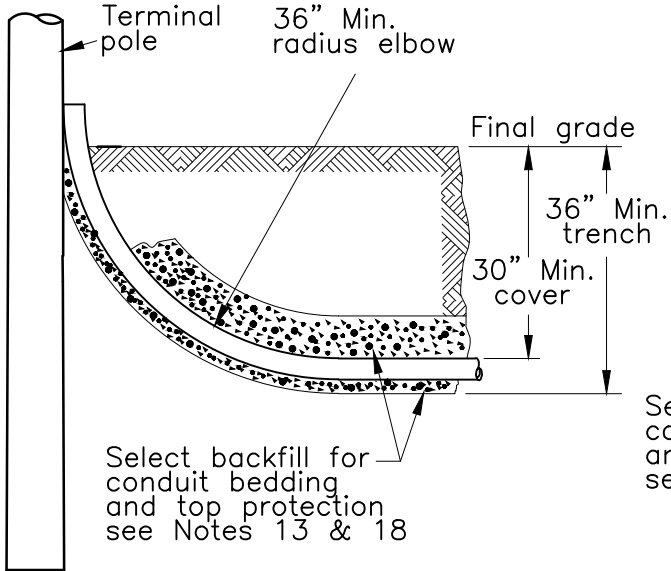
Secondary/Service Conduit at Pole



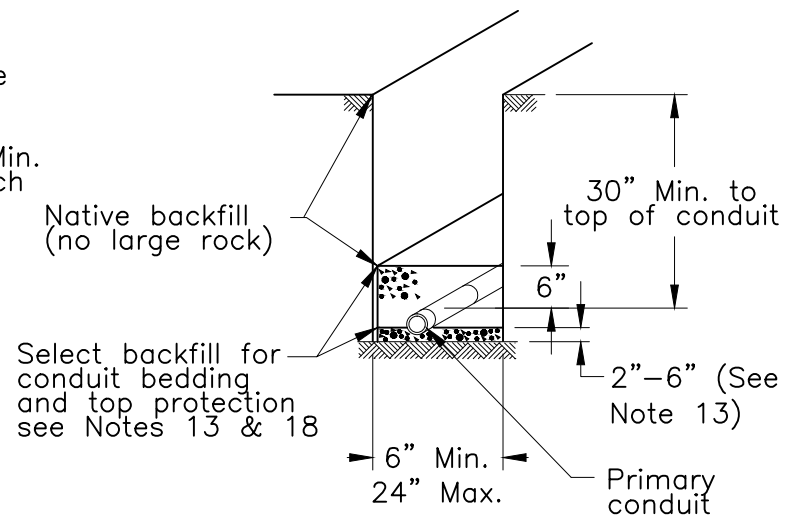
Secondary/Service Lateral Trench



Primary Conduit at Pole



Primary Trench



See Note 5 for joint-use trenches.

**TYPICAL TRENCHING DETAILS FOR INSTALLATION OF
SECONDARY/SERVICE LATERAL & PRIMARY CONDUCTORS
IN CONDUIT**

FirstEnergy

Service Guide	REV.
	1
EXHIBIT 24	DATE
	12/17

1. Customer shall provide trenching, conduit, and backfill to Company requirements.
2. Customer/contractor shall contact Company for location of Company and customer electrical facilities and the approved trench route for connecting them.
3. The contractor shall not deviate from the Company staked trench route unless expressly approved by the Company representative. It shall be the customer's responsibility to notify the Company of any conflicts that the proposed electrical design creates with obstacles, other facilities, or easements. Changes requested following the design acceptance by the developer would require Company to be compensated if facilities need to be relocated.
4. Before excavation begins, the excavator shall notify the appropriate state one-call agency (refer to Sections 3.13 and 3.14). The trench contractor shall be responsible for any damage caused by the excavator.
5. Applicant shall also coordinate the installation of all other buried utilities that are installing their facilities nearby, will jointly occupy the trench, or cross the electrical supply trench.
6. Minimum clearances between electric supply lines and the following utility lines:
 - Steam or cryogenic lines - six (6) feet (use of an approved thermal barrier may reduce this clearance),
 - Fuel lines: low pressure gas, oil, propane, or other – four (4) feet, and high pressure gas – ten (10) feet,
 - Water, sewer, & telecommunication (i.e., telephone & CATV) lines - one (1) foot,
 - Clearances from telephone & CATV lines may be reduced to 0 ft or no deliberate separation (a.k.a., random lay) if all involved parties agree and NESC Rules are met,
 - Other utility companies (e.g., local water, sewer, and fuel) may require greater clearances than stated above,
 - If required (e.g., trenching through solid rock) clearances may be reduced to one (1) foot minimum if all involved parties agree,
 - Other facilities are prohibited from running above/below and parallel to the electrical cable without specific Company's approval.
7. The Company's minimum trench dimensions are based on providing adequate cover per NEC and NESC codes (depth) and acceptable working areas (width). Minimum cover shall be maintained at all times. See drawings for trench dimensions. Customer should contact the Company, if the trench must be more than four (4) feet deep.

Owner (Code)	Customer-Installed Facilities (NEC) (Inches)			Company (NESC) (Inches)
	Rigid Metallic Conduit (RMC)	Rigid Nonmetallic Conduit (RNC)	Street / Road Parking Lot	Conduit
Voltage (Ø - Ø)				
0 – 600 V	6	18	24	24
> 600 V – 22 kV	6	18	24	30
> 22 kV – 40 kV	6	24	24	30

8. Customer shall clear the cable route of trees, tree stumps, boulders, or other obstructions. The trench contractor shall be responsible for any damage caused by the excavator. This includes damage to any tree; whose root system is subsequently damaged from the trenching operation. The excavator shall grade the trench route to final grade level.
9. Customer/contractor shall not use power-excavating equipment within 18 inches of any existing buried cables or other electrical or communications equipment (required by state One-Call agencies).
10. Because of changing weather conditions and possibility of cave-ins, the excavator should not open the trench any more than 24 hours before installing conduit. If a cave-in occurs, it is the customer/contractor responsibility and expense to retrench.
11. Excavated material (“spoils”) should be placed on the field side of the trench (unless directed by the Company otherwise), two (2) feet from the edge of excavations (per OSHA Standard 1926.651(j) (2)).
12. Standing water in the trench should be removed by pumping or draining (per OSHA Standard 1926.651(h)).
13. The bottom of the trench shall be relatively smooth, undisturbed earth, well-tamped earth, or sand, which is free of rock, cinders, or sharp objects. Customer shall consult with the Company.
14. Conduit shall be required in all locations. Customer shall consult with the Company.

**TYPICAL TRENCHING DETAILS FOR INSTALLATION OF
SECONDARY/SERVICE LATERAL & PRIMARY CONDUCTORS
IN CONDUIT GENERAL NOTES**

FirstEnergy

Service Guide

REV.

1

EXHIBIT 24

DATE

12/17

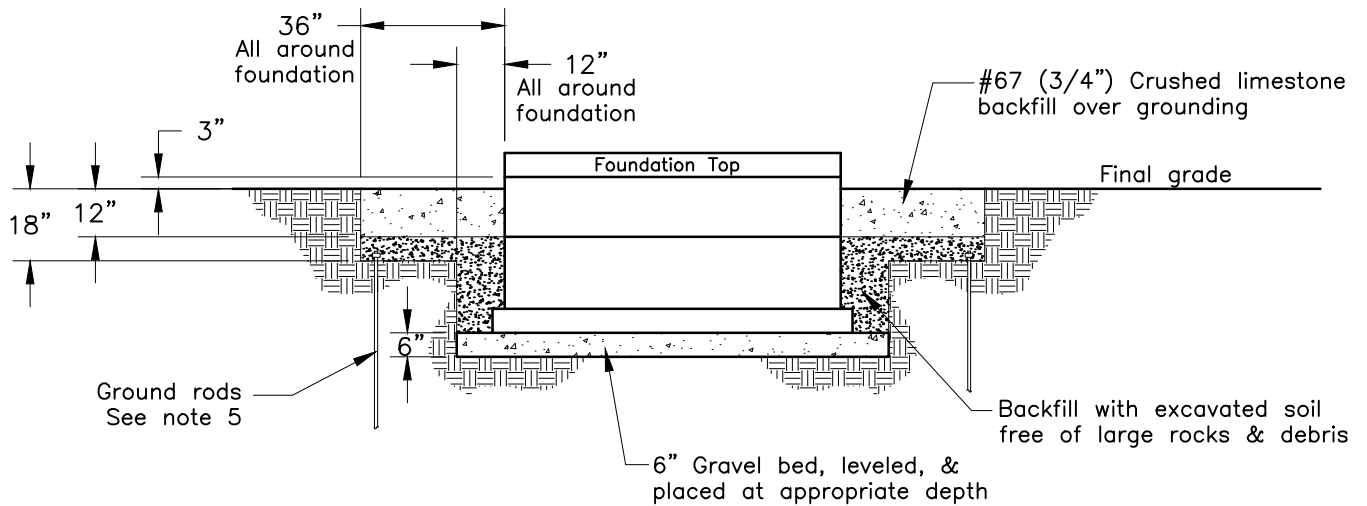
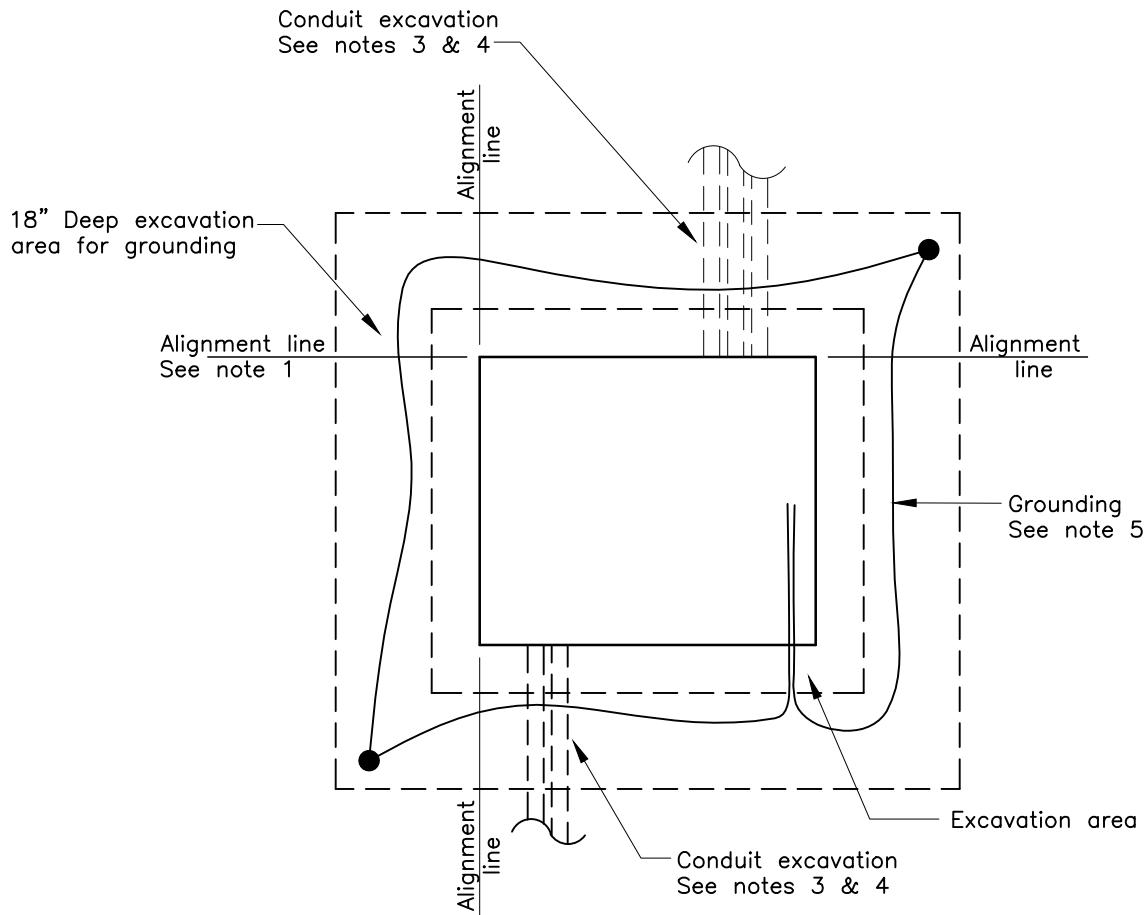
15. Secondary and service conduit shall be sized by the Company. The conduit shall be supplied and installed by the customer. The required conduit shall be rigid PVC, heavy wall, sunlight resistant, listed & labeled, Schedule 40 per NEMA TC2-2013 (i.e., electrical grade). In situations that require a stronger conduit (e.g., first eight feet out of the ground or at certain road crossings), the Company requires rigid PVC, heavy wall, sunlight resistant, listed & labeled, Schedule 80 per NEMA TC2-2013 (i.e., electrical grade). Conduit for the secondary service laterals shall be a minimum of 3-inch diameter conduit and requires 30-inch minimum radius elbow at the terminal pole. Primary conduit shall use a 36-inch minimum radius elbow at the terminal pole. The customer /contractor shall limit the number of bends in the conduit run.
16. All joints shall be glued together. Conduit shall be cleaned and plugged at each end to keep water and dirt out. Customer shall install 1/4-inch, unbroken nylon or polypropylene pull rope inside the conduit. If the Company cannot pull conductors through the conduit run, or if pulling line is broken or unusable because it is glued to the conduit, the customer shall make the necessary repairs.
17. Before backfilling, the customer/contractor shall verify that the Company and local electrical inspector have completed all required inspections of the trench (if required). In addition, the customer shall verify other utilities that were approved to use joint trench have completed their work.
18. The customer/contractor shall backfill around all conduits with six (6) inches of approved backfill. Approved backfill shall be graded sand, stone dust, limestone dust, rock-free (1/4 inch or less diameter stones) earth, or topsoil. Materials that "set up" such as fly ash, culm, and foundry waste are not acceptable. The remainder of the trench shall be backfilled with native soil and not contain large rocks (greater than 4 inch) or rocks with sharp edges. An additional six (6) inches of mounded backfill is recommended to allow for settling.
19. Backfill should be compacted in six-inch layers by hand or using with pneumatic or vibrating tamping equipment to lessen the effects of settling. Note: "Machine compaction should not be used within six (6) inches of the cable" (per NESC Rule 353A).
20. The customer/contractor shall bury warning tape above all customer-owned cables or conduits (per NEC 300.5D (3)). The warning tape shall be placed in the trench at least 12 inches above the cable or conduit.

**TYPICAL TRENCHING DETAILS FOR INSTALLATION OF
SECONDARY/SERVICE LATERAL & PRIMARY CONDUCTORS
IN CONDUIT GENERAL NOTES**

FirstEnergy.

Service Guide	REV.
	1
	DATE
	12/17

EXHIBIT 24

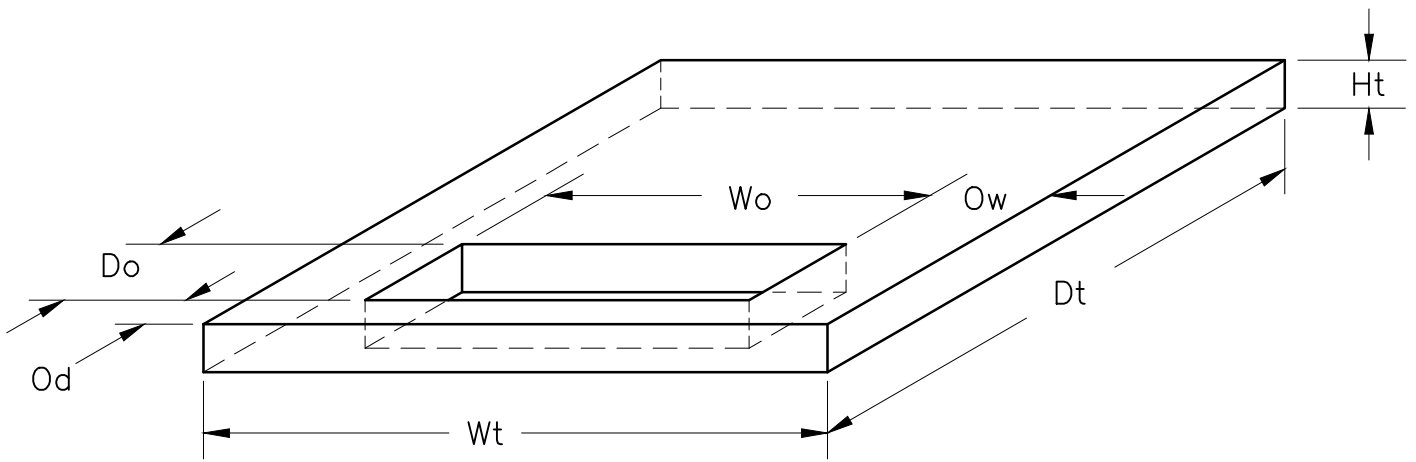


For dimensions see Exhibit 25 page 2 of 3.
 For notes see Exhibit 25 page 3 of 3.

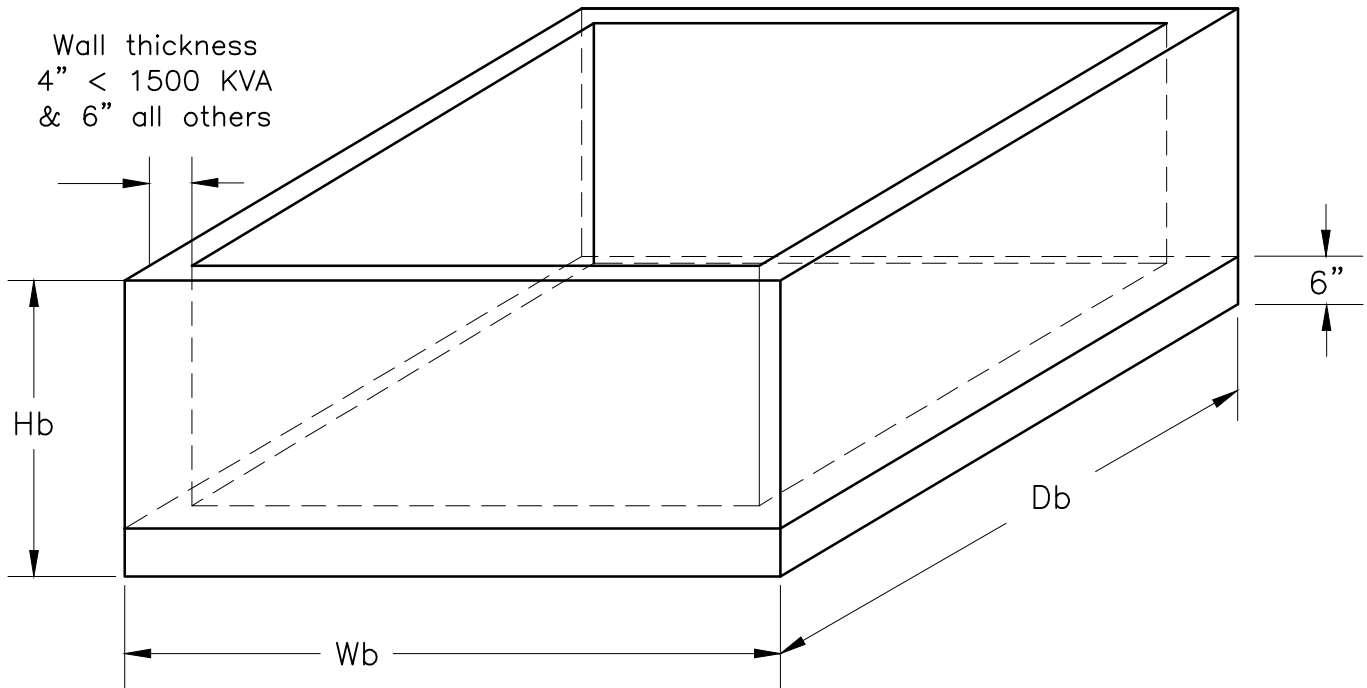
**THREE-PHASE TRANSFORMER
 PRE-CAST CONCRETE FOUNDATION
 (INSTALLATION DETAILS)**



Service Guide	REV.
	0
EXHIBIT 25	DATE
	6/14



Wall thickness
 4" < 1500 KVA
 & 6" all others



PRE-CAST CONCRETE FOUNDATION												
TRANSFORMER	BASE **				TOP				OPENING IN TOP			
SIZE	Wb	Db	Hb	WT.	Wt	Dt	Ht	WT.	Wo	Do	Ow	Od
45 - 150 kVA	72"	54"	42"	4,275#	72"	54"	6"	1,725#	55"	14"	8.5"	6"
225 - 1000 kVA	78"	66"	42"	8,000#	78"	66"	6"	2,400#	60"	19"	9"	6"
1500 - 2500 kVA	96"	96"	42"	12,000#	96"	96"	9"	6,400#	60"	19"	18"	9"
1500 - 2500 kVA	96"	96"	54"	14,000#	96"	96"	9"	6,400#	60"	19"	18"	9"

THREE-PHASE TRANSFORMER
 PRE-CAST CONCRETE FOUNDATION
 (FABRICATION DETAILS)



Service Guide	REV. 0
EXHIBIT 25	DATE 1/14

Notes:

1. Customer shall contact the Company prior to beginning work to discuss the details of transformer foundation position and orientation, working clearances, barrier protection, construction specifications, and inspection procedures. The Customer is responsible for purchasing, owning, and maintaining the pre-cast transformer foundation and associated secondary rack equipment. The contractor/developer shall coordinate site preparations with the desired delivery date. The contractor shall provide a clear and firm approach to the point of delivery and keep the area above the transformer clear of obstructions that may block the use of Company vehicles (e.g., crane access to the transformer).
2. The customer/contractor is responsible for the excavation to install the transformer foundation and for backfilling afterwards. The excavation shall be at least 2 feet wider than the vault dimension and 5 feet -6 inches deep (actual excavation depth may vary, depending upon relation between existing and final grade). Six (6) to eight (8) inches of 2B crushed stone bed shall be spread (tamped and leveled at appropriate depth) in the bottom of the excavation. Pavement (concrete, asphalt, or grasscrete) shall be provided to within ten (10) foot of installation for Company trucks. For delivery, the customer/contractor should provide painted lines or stakes and string for alignment in place and three 4 inch x 4 inch lumber off to side for unloading foundation top (at delivery time).
3. Customer/contractor shall provide, install, and seal a minimum five (5) foot section of PVC conduit through the wall of the foundation base (sloping away from the foundation) for Company primary cable at the Company designated location.
4. Excavation for customer conduits can be done at the same time as for foundation.
5. The customer shall install a continuous loop of #2 AWG bare, seven strand, soft drawn copper ground wire connected to two 5/8-inch diameter x 8-foot ground rods installed in opposite corners of the vault in undisturbed earth (refer to Exhibit 25, page 1 of 3). Both ends of the ground wire shall enter the foundation through a one-inch diameter hole to be drilled or chiseled in the upper right-hand corner of the knockout pane. Each ground wire tail shall extend 15 feet (minimum) inside vault beyond knockout point.
6. The decision to open the sump for drainage or leave it closed will be made by the Company based on field conditions. The customer is responsible for taking corrective action (improve drainage, sump pump, etc.) for a foundation that continuously fills with water and water is leaking through service conduits into the customer's building. The area surrounding the foundation must be graded so that ground water will not collect.
7. The customer/contractor shall provide and install protective barriers when the transformer is located in an area exposed to vehicular traffic (refer to Exhibit 30).

**THREE-PHASE TRANSFORMER
PRE-CAST CONCRETE FOUNDATION
(NOTES)**

FirstEnergy.

Service Guide

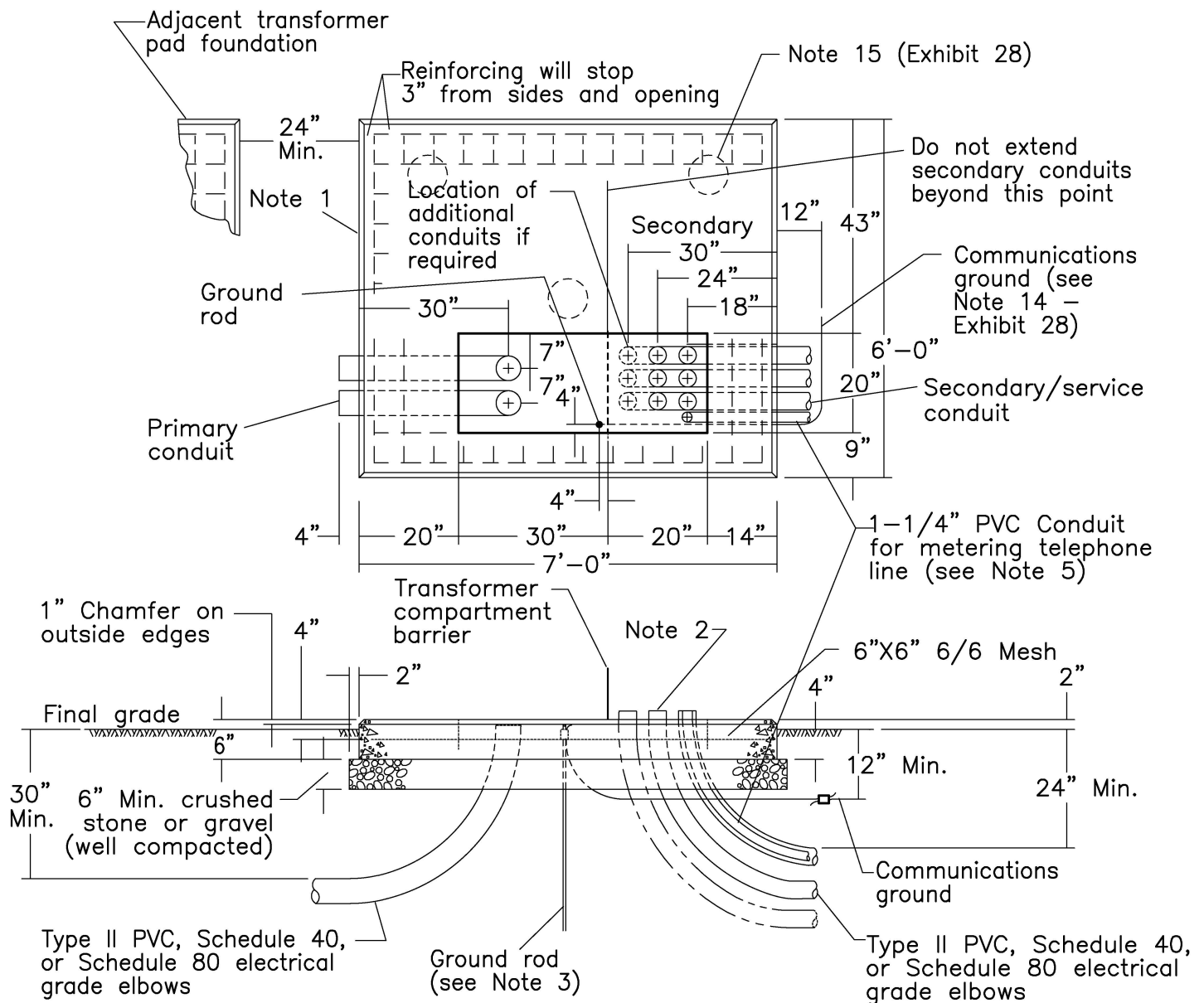
REV.

0

EXHIBIT 25

DATE

6/14

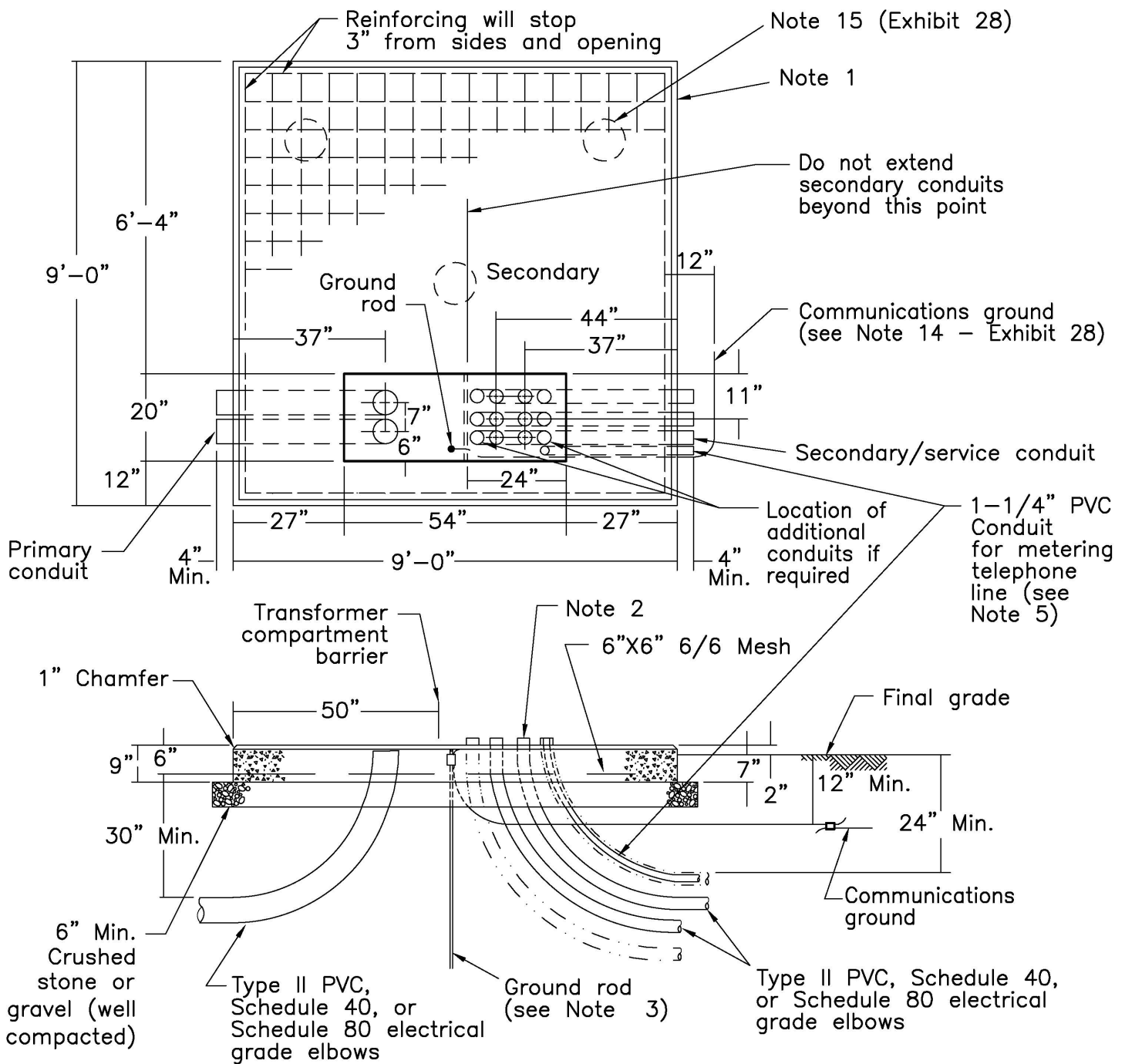


Notes:

1. Refer to Exhibit 28 for concrete pad foundation, pad-mounted transformer General Notes.
2. Secondary conduits should not extend more than 2 inches (maximum) above the top of foundation. Primary conduits should be cut off 2 inches below the top of foundation to allow for terminating the cables.
3. Customer shall furnish and install one 5/8-inch diameter x 8-foot ground rod, grounding connections, and #6 AWG copper communications ground wire (minimum length of wire required – 7-1/2 feet).
4. See Exhibit 22 for clearance from the building wall or other parts of building.
5. When required, extend 1-1/4-inch conduit to location at the customer’s building where telephone line service can be made available at the telephone demarcation point.

**CONCRETE FLAT-PAD FOUNDATION
 PAD-MOUNTED TRANSFORMER 75 TO 500 KVA,
 THREE-PHASE, 34.5 KV & BELOW HIGH-SIDE**

FirstEnergy	
Service Guide	REV. 0
EXHIBIT 26	DATE 8/14



Notes:

1. Refer to Exhibit 28 for concrete pad foundation, pad-mounted transformer General Notes.
2. Secondary conduits should not extend more than 2 inches (maximum) above the top of foundation. Primary conduits should be cut off 2 inches below the top of foundation to allow for terminating the cables.
3. Customer shall furnish and install one 5/8-inch diameter x 8-foot ground rod, grounding connections, and #6 AWG copper communications ground wire (minimum length of wire required - 8-1/2 feet).
4. See Exhibit 22 for clearance from building wall or other parts of building.
5. When required, extend 1-1/4-inch conduit to location at the customer's building where telephone line service can be made available at the telephone demarcation point.

**CONCRETE FLAT-PAD FOUNDATION
PAD-MOUNTED TRANSFORMER 750 TO 2500 KVA,
THREE-PHASE, 34.5 KV & BELOW HIGH-SIDE**

FirstEnergy.

Service Guide

REV.

0

EXHIBIT 27

DATE

8/14

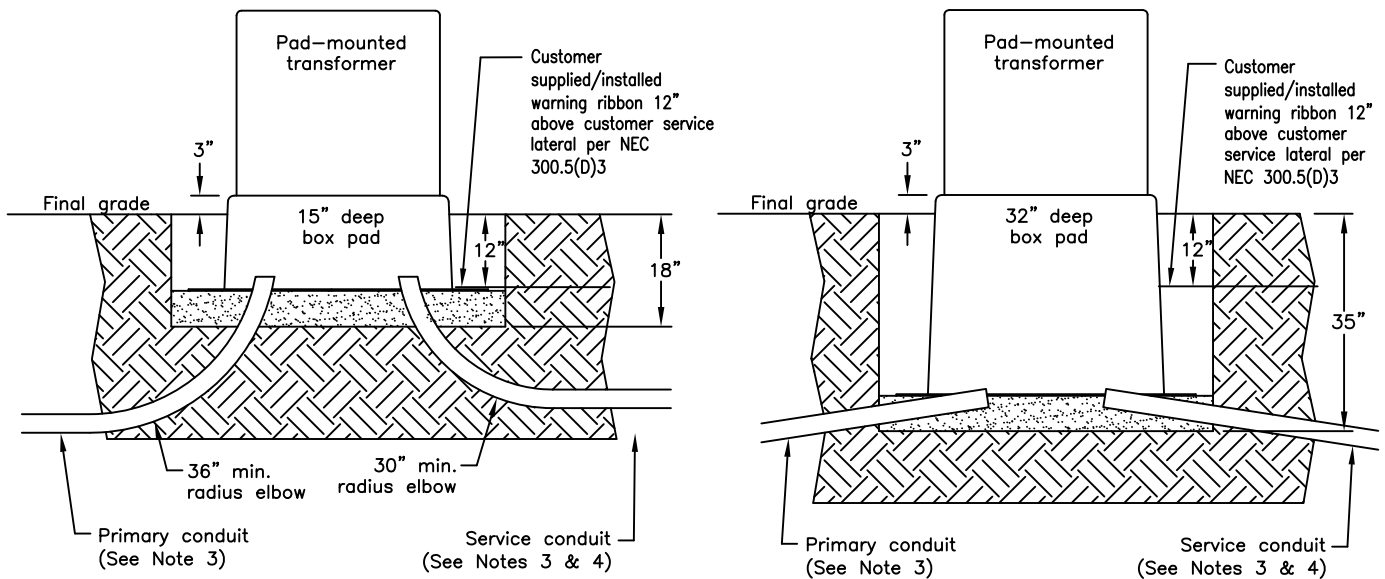
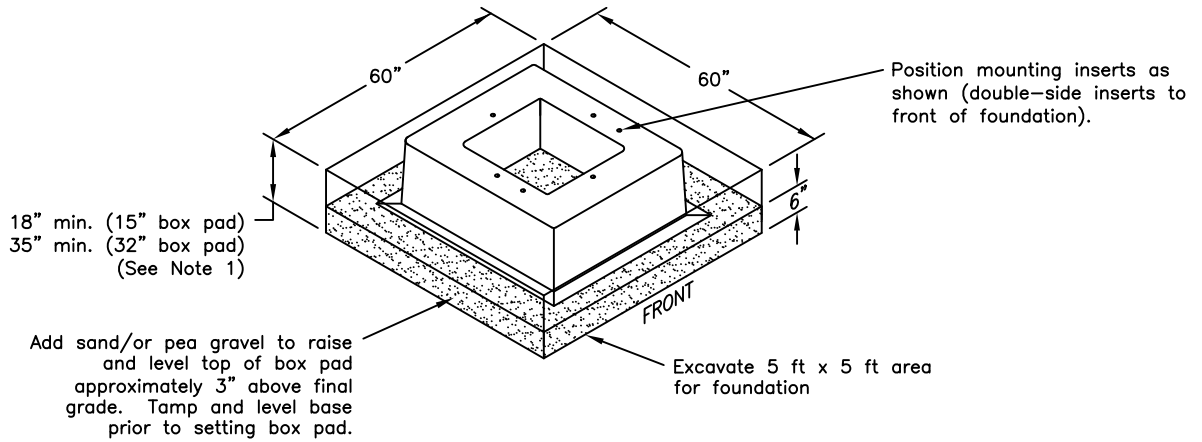
Notes:

1. Customer shall contact the Company prior to beginning work to discuss the details of transformer foundation position and orientation, working clearances, barrier protection, construction specifications, and inspection procedures. The Customer is responsible for installing, owning, and maintaining the transformer foundation. The contractor shall provide a clear and firm approach to the transformer foundation and keep the area above the transformer clear of obstructions that may block the use of Company vehicles (e.g., crane access to the transformer).
2. Customer shall install all conduits before placing pad. Conduits should not be placed under sections of pad supporting transformer so that original ground will not be disturbed.
3. Conduit shall be rigid Type II PVC, Schedule 40 PVC, or Schedule 80 PVC.
4. Backfill shall be clean granular soil, free of large stones and perishable material. All backfill shall be spread and compacted in maximum layers of 8 inches.
5. Customer shall thoroughly compact base crushed stone or gravel.
6. Concrete pad may be poured-in-place or may be precast (4000 min. psi concrete).
7. To prevent water migration from concrete when pouring, place waterproof membrane on crushed stone or gravel before pouring concrete.
8. Reinforcing wire mesh shall conform to ASTM designation A185.
9. Cement to be 1 or 1-A and meeting ASTM designations C-150 and C-175 respectively.
10. Poured pad concrete to develop minimum 4000 psi at 28 days age, contain minimum of 5.5 bags of cement per cubic yard and maximum of 6 gallons of water per 94-pound bag of cement, and conform to ASTM designation C-94. Fourteen (14) days minimum drying time before transformer is set. For Exhibit 26, the volume of concrete is approximately 0.7 cubic yards. For Exhibit 27, the volume of concrete is approximately 1.7 cubic yards.
11. Customer shall seal all openings around conduits with grout; cap all spare conduits to prevent entry of rodents and animals into transformer compartment.
12. If conduit extends into building, it shall be sealed (per NEC) at building end to prevent gas from entering building through the conduit.
13. Where damage to transformer by vehicles is possible, transformer shall be protected by appropriate barriers. See Exhibit 30. Customer shall contact Company for details.
14. Communication ground – The NESC requires bonding of all communications equipment (telephone, CATV, etc.) that are within six (6) feet of the pad-mounted transformer. The wire for bonding communications equipment shall be minimum #6 AWG solid copper wire that is attached directly to ground rod, runs underneath the concrete pad, extends 12 inches beyond the edge of the pad, and finally runs alongside the pad foundation (see Exhibits 26 and 27 for details). The required minimum length of wire for Exhibit 26 is 7-1/2 feet and for Exhibit 27 is 8-1/2 feet.
15. In areas where settling may occur, install three (3) concrete piers, 8-inch minimum diameter, 36 inches deep, in a triangular configuration under foundation. Customer shall contact the Company for details.

**CONCRETE FLAT-PAD FOUNDATION
PAD-MOUNTED TRANSFORMER
GENERAL NOTES**

FirstEnergy

Service Guide	REV. 1
EXHIBIT 28	DATE 12/17



Notes:

1. Customer shall contact the Company before excavating to determine the location and orientation of the foundation. Company shall specify and supply a 15" or a 32" deep fiberglass box pad foundation.
2. Customer shall be responsible for excavation, foundation base material (leveled and tamped), conduit installation (if required), 1/4" nylon or polypropylene pull rope, warning tape, and backfill. Customer is responsible for installing foundation. Remove large rocks in spoils before backfilling. Backfill after foundation is installed.
3. See Exhibit 24 for trenching details.
4. For customer-owned and Company-owned services 350 kcmil or less, use 3" PVC electrical-grade conduit.
5. Customer shall notify the state One-Call agency 3 days before construction. Refer to Sections 3.13 & 3.14.

**TYPICAL SINGLE-PHASE
BOX PAD FOUNDATION
INSTALLATION**

NJ

FirstEnergy.

Service Guide

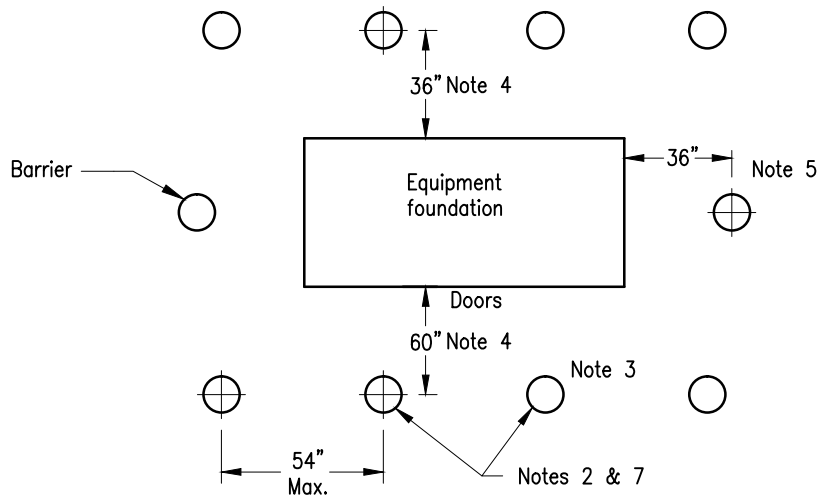
REV.

1

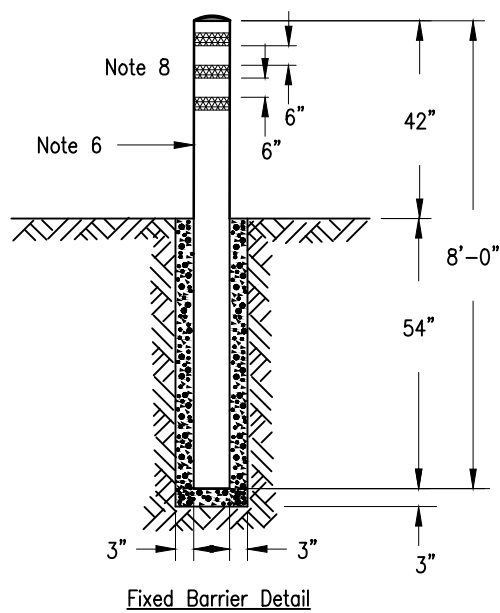
EXHIBIT 29

DATE

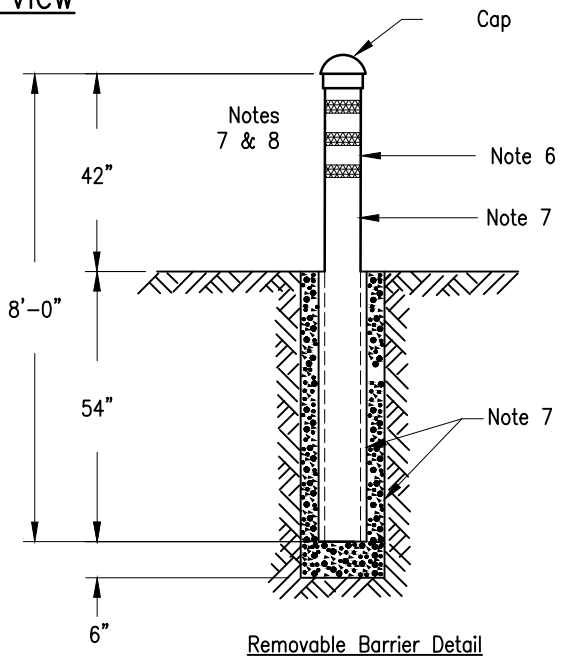
12/17



Plan View



Fixed Barrier Detail



Removable Barrier Detail

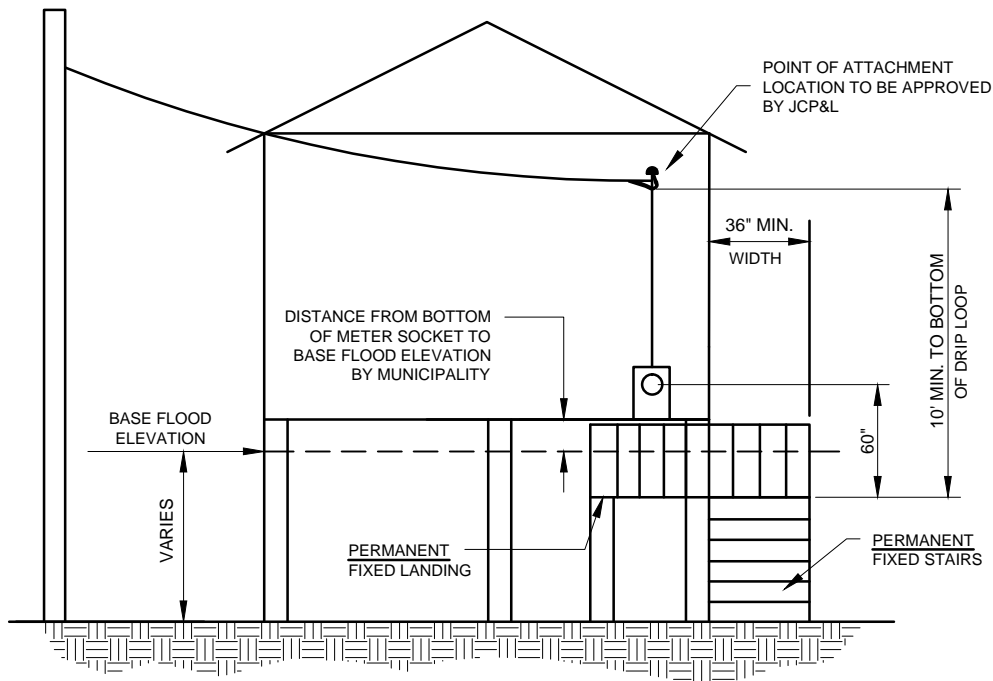
Notes:

1. Use barriers to protect equipment from possible damage from vehicles. Customer shall contact Company for placement.
2. Provide clearance for the operation, removal, or replacement of equipment when overhead obstacles prevent removal of equipment, one barrier shall be removable.
3. When necessary, height of barrier above ground may be increased to prevent large vehicles from striking pad-mounted equipment.
4. Position barriers 60" from equipment foundation on all sides where equipment doors will be located. Removable barriers shall not be installed as a means of providing clearance to open equipment doors.
5. With Company approval this distance may be reduced to 24 inches provided clearances are maintained for items such as transformer radiators and metering.
6. For fixed vehicle barrier, use 6-inch diameter rigid galvanized steel conduit, cut to 8 feet and fill with concrete. Encase in 3 inches of concrete, as shown. Power installed bumper posts (minimum size: 84 inches long, 3-1/2-inch diameter, 8-inch helix) are also approved.
7. For removable vehicle barriers, use 6-inch diameter PVC Schedule 40 conduit, cut to 54 inches and encased in concrete. Insert 8 feet of 5-inch diameter galvanized steel conduit (do not fill with concrete), with cap, into PVC conduit. Use 6 inches of compacted stone or gravel for sump.
8. Vehicle barriers shall be painted yellow with three strips of 3-inch reflective tape.
9. Customer shall notify state One-Call agency before excavation for posts.

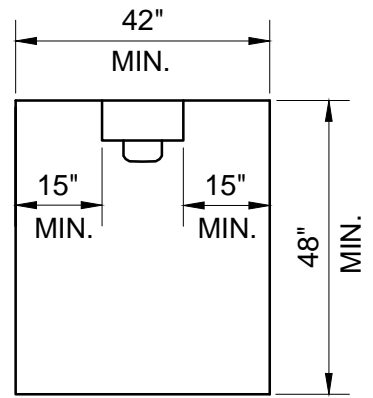
**VEHICULAR BARRIER FOR
PAD-MOUNTED EQUIPMENT**



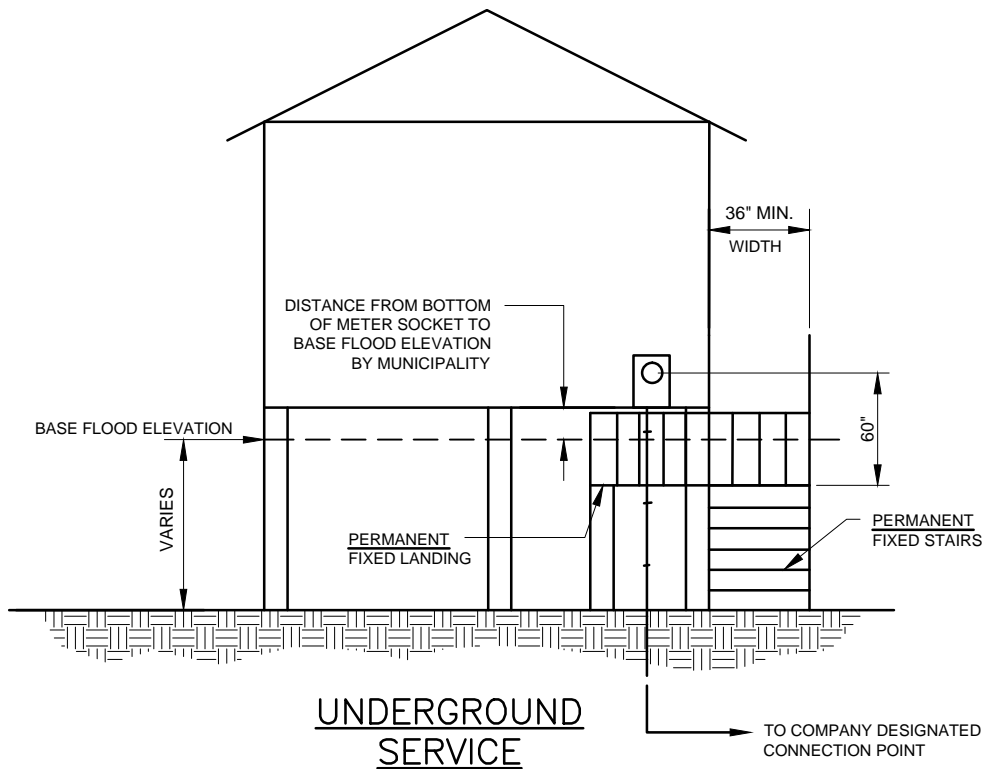
Service Guide	REV.
EXHIBIT 30	1
	DATE
	12/17



OVERHEAD SERVICE



**LANDING PLAN
(MINIMUM CLEARANCES)**



UNDERGROUND SERVICE

TO COMPANY DESIGNATED CONNECTION POINT

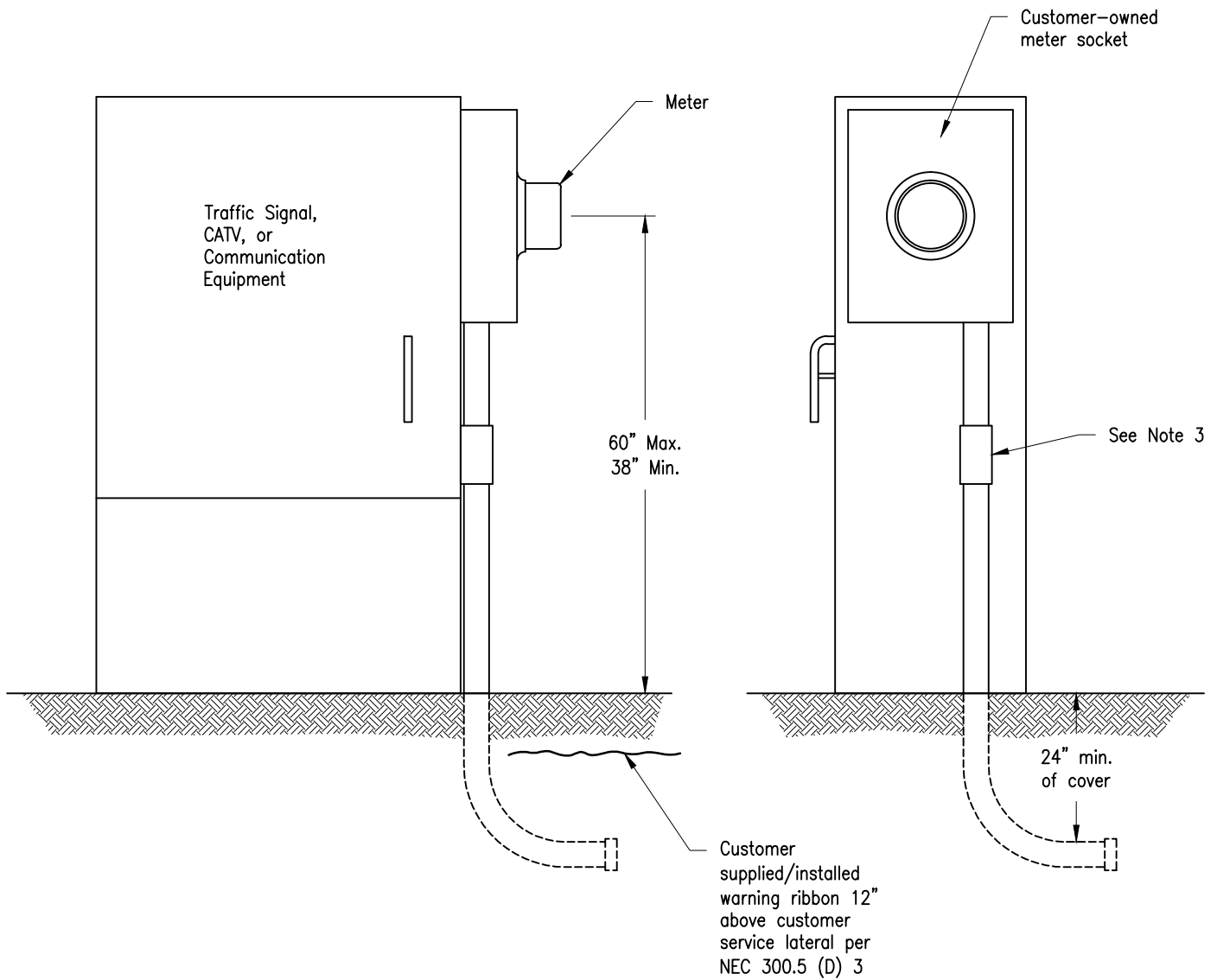
Notes:

1. Contact Company for additional information.
2. Stairs, railing, and landing must be maintained by the owner and meet all applicable building and safety code requirements.
3. Additional information can be found at www.firstenergycorp.com – Our Electric Companies – Jersey Central Power & Light – Guidance on Rebuilding in Designated Flood Zone.

**METER LANDING DETAIL
FEMA FLOOD ZONES – NJ COASTAL AREAS**

FirstEnergy.

Service Guide	REV.
	0
EXHIBIT 31	DATE
	6/15



Notes:

1. For customer/Company responsibilities, see Exhibit 1.
2. Supply-side conduit shall be rigid galvanized or IMC steel, or Schedule 80 PVC (electrical grade).
3. The customer shall provide ground movement protection per NEC 300.5 (J) to prevent damage due to settling.

**TYPICAL UNDERGROUND SERVICE
TRAFFIC SIGNAL, CATV, OR COMMUNICATION
STAND-ALONE EQUIPMENT**

FirstEnergy.

Service Guide	REV.
	0
EXHIBIT 32	DATE
	12/17



Ohio Edison • The Illuminating Company • Toledo Edison
 Met-Ed • Penelec • Penn Power • Jersey Central Power & Light
 West Penn Power • Mon Power • Potomac Edison

BUILDER INSTALL REQUEST

Please Type or Print

Check the Appropriate Boxes Below

FORM 1046 (REV. 03-14)

OPERATING COMPANY

<input type="checkbox"/> OHIO EDISON PHONE 1-800-633-4766 FAX 1-877-289-3674	<input type="checkbox"/> THE ILLUMINATING CO. PHONE 1-800-589-3101 FAX 1-877-289-3674	<input type="checkbox"/> TOLEDO EDISON PHONE 1-800-447-3333 FAX 1-877-289-3674	<input type="checkbox"/> PENN POWER PHONE 1-800-720-3600 FAX 1-877-289-3674	<input type="checkbox"/> POTOMAC EDISON PHONE 1-800-686-0011 FAX 1-877-289-3674
<input type="checkbox"/> MET-ED PHONE 1-800-545-7741 FAX 1-877-289-3674	<input type="checkbox"/> PENELEC PHONE 1-800-545-7741 FAX 1-877-289-3674	<input type="checkbox"/> JCP&L PHONE 1-800-662-3115 FAX 1-877-289-3674	<input type="checkbox"/> MON POWER PHONE 1-800-686-0022 FAX 1-877-289-3674	<input type="checkbox"/> WEST PENN POWER PHONE 1-800-686-0021 FAX 1-877-289-3674

DETAILS OF SERVICE REQUIREMENTS

TEMPORARY ONLY (Fee Will Be Assessed) PERMANENT TEMP TO PERM (Fee May Be Assessed)

BUILDER INFORMATION

REQUESTED BY	BUILDING COMPANY NAME	COMPANY PHONE NO.
CONTACT PERSON	CONTACT PHONE NO.	FAX NO.

* If service application is in the "builder's "name, the "buyer" must contact us when it is time to transfer service.

BILLING NAME AND MAILING INFORMATION

NAME OF PARTY RESPONSIBLE FOR THE ELECTRIC BILL	SOCIAL SECURITY NO./TAX ID	CONTACT PHONE NO.	
E-MAIL ADDRESS			
STREET ADDRESS (MAILING)	CITY	STATE	ZIP CODE

LOCATION WHERE SERVICE IS NEEDED

NAME OF DEVELOPMENT OR ALLOTMENT	LOT NO.		
BUILDING NO.	FLOOR NO.	ROOM/APARTMENT/UNIT NO.	
STREET ADDRESS	CITY	STATE	ZIP CODE
COUNTY/TOWNSHIP/BOROUGH/TAX DISTRICT	NEAREST CROSS STREET/POLE NO.		

CONNECTION TYPE

<input type="checkbox"/> UNDERGROUND	SQ. FT. OF STRUCTURE	SET BACK FROM ROAD (In Feet)
<input type="checkbox"/> OVERHEAD		

PREMISE TYPE

Is this application for a multi-tenant structure? YES NO If yes, how many units? _____
Please attach a separate page with the list of street addresses and lot numbers.

RESIDENTIAL
 HOUSE MOBILE HOME APARTMENT DUPLEX TOWNHOUSE OTHER _____

NON-RESIDENTIAL
 COMMERCIAL INDUSTRIAL CABLE COMPANY EQUIPMENT TYPE OF STRUCTURE/SITE USE _____

SERVICE ENTRANCE

AMPERAGE <input type="checkbox"/> 100 <input type="checkbox"/> 200 <input type="checkbox"/> OTHER _____	VOLTAGE <input type="checkbox"/> 120/240 <input type="checkbox"/> 120/208 <input type="checkbox"/> 277/480 <input type="checkbox"/> OTHER _____	PHASE <input type="checkbox"/> SINGLE PHASE <input type="checkbox"/> THREE PHASE
--	--	---

DETAILS REGARDING STRUCTURE

HEATING SYSTEM	HEAT SOURCE	HEAT TYPE
	<input type="checkbox"/> ELECTRIC <input type="checkbox"/> PROPANE <input type="checkbox"/> OIL <input type="checkbox"/> KEROSENE <input type="checkbox"/> GAS <input type="checkbox"/> UNKNOWN <input type="checkbox"/> OTHER (DESCRIBE) _____	<input type="checkbox"/> GEOTHERMAL HEAT PUMP <input type="checkbox"/> HOT WATER/STEAM <input type="checkbox"/> BASEBOARD <input type="checkbox"/> ADD-ON HEAT PUMP <input type="checkbox"/> HOT AIR/ELECTRIC FURNACE <input type="checkbox"/> UNKNOWN <input type="checkbox"/> OTHER (DESCRIBE) _____

WATER HEATER	HOT WATER SOURCE	HOT WATER TYPE
	<input type="checkbox"/> ELECTRIC <input type="checkbox"/> GAS <input type="checkbox"/> OIL <input type="checkbox"/> PROPANE	<input type="checkbox"/> STORAGE TANK <input type="checkbox"/> OTHER _____ <input type="checkbox"/> TANK LESS <input type="checkbox"/> SIZE IN GALLONS _____

AIR CONDITIONER <input type="checkbox"/> YES <input type="checkbox"/> NO TONS _____	COOLING TYPE <input type="checkbox"/> CENTRAL AIR <input type="checkbox"/> HEAT PUMP <input type="checkbox"/> WINDOW/WALL	WELL PUMP <input type="checkbox"/> YES <input type="checkbox"/> NO <input type="checkbox"/> UNKNOWN
---	--	--

OTHER HIGH USAGE APPLIANCES/EQUIPMENT:

NAME OF ELECTRICIAN:	PHONE NO.:
----------------------	------------

STAGE OF CONSTRUCTION STAKED FOUNDATION FRAMED UNDER ROOF OTHER _____

DIRECTIONS/COMMENTS