

**AMERICAN TRANSMISSION SYSTEMS,  
INCORPORATED  
A FIRSTENERGY COMPANY**

**CONSTRUCTION NOTICE**

**DELTA-WAUSEON 138 kV TRANSMISSION LINE TAP TO  
METAL X PROJECT (ATSI)**

**OPSB CASE NO.: 18-1401-EL-BNR**

**October 9, 2018**

**American Transmission Systems, Incorporated  
76 South Main Street  
Akron, Ohio 44308**

**CONSTRUCTION NOTICE**  
**DELTA-WAUSEON 138 kV TRANSMISSION LINE**  
**TAP TO METAL X PROJECT (ATSI)**

The following information is being provided in accordance with the procedures in the Ohio Administrative Code (OAC) Chapter 4906-6 for the application and review of Accelerated Certificate Applications. Based upon the requirements found in Appendix A to OAC Rule 4906-1-01, this Project qualifies for submittal to the Ohio Power Siting Board (“Board”) as a Construction Notice application.

**4906-6-05: ACCELERATED APPLICATION REQUIREMENTS**

**4906-6-05: Name**

Name of Project: Delta-Wauseon 138 kV Transmission Line Tap to Metal X Project (ATSI) (“Project”).

**4906-6-05 (B)(1): Brief Description of the Project**

In this Project, American Transmission Systems, Incorporated (“ATSI”), a FirstEnergy company, is proposing to install an approximately 615-foot long 138 kV transmission line tap coming off of the existing Delta-Wauseon 138 kV Transmission Line Tap to Nature Fresh Farms Substation to provide electric service to a new customer substation owned by Metal X. As part of the Project, existing Structure 16001 on the existing Tap Line to Nature Fresh Farms will be modified from a Wood Corner Deadend Structure to a Wood 3-Way Deadend Structure to allow for the extension of the new transmission line to the new substation.

Toledo Edison (“TE”), a FirstEnergy company, will install and own the final span of conductor (approximately 100 feet) from the last transmission structure into the substation. The combined length of the new tap is approximately 715 feet. The Toledo Edison portion of the project will be presented to the Board as a separate Construction Notice application filed concurrently with the Board in Case No. 18-1402-EL-BNR, proposed as the Delta-Wauseon 138 kV Transmission Line Tap to Metal X Project (TE).

The general location of the Project is shown in Exhibit 1, a partial copy of the United States Geologic Survey, Fulton County OH, Quad Map, ID number 41084-E1. Exhibit 2 is a partial copy of Bing aerial imagery. The Project is located at 8876 US 20A, Delta, OH 43515. The general layout is shown in Exhibit 3. The Project will be located in Village of Delta and York Township, Fulton County Ohio.

**4906-6-05 (B)(1): Construction Notice Requirement**

The Project meets the requirements for a Construction Notice application because the Project is within the types of projects defined by Item (1)(d)(i) of the Application Requirement Matrix for Electric Power Transmission Lines, Appendix A of OAC Rule 4906-1-01. This item states:

*(1) New construction, extension, or relocation of single or multiple circuit electric power transmission line(s), or upgrading existing transmission or distribution line(s) for operating at a higher transmission voltage, as follows:*

*(d) Line(s) primarily needed to attract or meet the requirements of a specific customer or customers, as follows:*

*(i) The Line is completely on property owned by the specific customer or the applicant*

The proposed Project is within the requirements of Item (1)(d)(i) as the entire length of the transmission line is located on Metal X's property.

**4906-6-05 (B)(2): Need For the Project**

The Project is needed to provide initial service of 6 MWA to Metal X's new facility as requested by Metal X.

**4906-6-05 (B)(3): Location of the Project Relative to Existing or Proposed Lines**

The location of the Project relative to existing or proposed lines is shown in the ATSI Transmission Network Map, included as part of the confidential portion of the FirstEnergy Corp. 2018 Long-Term Forecast Report (LTFR). This map was submitted to the PUCO in Case No. 18-0449-EL-FOR under Rule 4901:5-5:04 (C)(2)(b) of the Ohio Administrative Code. The map is incorporated by reference only. This map shows ATSI's 345 kV and 138 kV transmission lines and transmission substations including the Delta-Wauseon 138 kV Transmission Line. The project area is located approximately  $1 \frac{3}{5}$  inches (11" x 17" printed version) from the left edge of the map and  $1 \frac{3}{4}$  inches (11" x 17" printed version) from the top of the map. The general location and layout of the project area is shown in Exhibit 1 and 2.

The Project is not included in ATSI's LTFR filed in 2018 as it was not confirmed at the time of filing.

**4906-6-05 (B)(4): Alternatives Considered**

Due to the short line length of the proposed transmission line, and the fact that the Project is located entirely on the customer's property, no alternatives routes were considered.

**4906-6-05 (B)(5): Public Information Program**

ATSI's manager of External Affairs will advise local officials of features and the status of the proposed Transmission Line Project as necessary. ATSI will maintain a copy of this Construction Notice on FirstEnergy's website. Letters will be sent to affected property owners at least 7 days before construction begins on the project informing them of the Project's start and a proposed timeframe of construction and restoration activities.

**4906-6-05 (B)(6): Construction Schedule**

The construction schedule for this Project is expected to begin as early as November 1, 2018 and completed by December 1, 2018.

**4906-6-05 (B)(7): Area Map**

Exhibit 1 depicts the general location of the Project. This Exhibit provides a partial copy of the United States Geological Survey, Fulton County OH, quadrangle map (Quad Order ID 41084-E1). Exhibit 2 provides a partial copy of Bing aerial imagery of the project area.

**4906-6-05 (B)(8): Property Owner List**

The Project is located on existing and public right-of-way. Table 1 contains a list of property owners affected by the project.

**Table 1: Property Owner List**

<b>Parcel Number</b>	<b>Property Owner</b>	<b>Property Address</b>	<b>Easement Status</b>
31-056064-00.000	Fulton County Properties LLC, C/O Metal X LLC	8876 US 20A, Delta, OH 43515	Obtained

**4906-6-05 (B)(9): TECHNICAL FEATURES OF THE PROJECT**

**4906-6-05 (B)(9)(a): Operating Characteristics**

The transmission line construction will have the following characteristics:

- Voltage: 138 kV
- Conductors: 954 kcmil 45/7 ACSR
- Static Wire: 7#8 Alumoweld
- Insulators: Polymer
- ROW Width: 60 feet
- Land Requirements: N/A
- Structure Types: Exhibit 4: Wood Tangent Structure. Two (2) structures are required.

Exhibit 5: Wood Corner Deadend Structure. Two (2) structures are required.

Exhibit 6: Wood 3-Way Deadend Structure. One (1) structure is required.

**4906-6-05 (B)(9)(b): Electric and Magnetic Fields**

The closest occupied residence or institution is approximately 120 feet from the proposed transmission line centerline therefore no Electric and Magnetic Field (“EMF”) calculations are required by this code provision.

**4906-6-05 (B)(9)(c): Estimated Cost**

The estimated capital cost for the ATSI portion of the proposed project is approximately \$347,400.

**4906-6-05 (B)(10): SOCIAL AND ECOLOGICAL IMPACTS**

**4906-6-05 (B)(10)(a): Land Uses**

The Project is located in the Village of Delta and York Township, Fulton County Ohio. The main land use around the Project is industrial.

**4906-6-05 (B)(10)(b): Agricultural Land**

Agricultural land does not exist within the Project’s disturbance area. The Project limits are within the area currently under development by the customer.

**4906-6-05 (B)(10)(c): Archaeological or Cultural Resources**

As part of the investigation, a search of Ohio Historic Preservation Office (“OHPO”) online database was conducted to identify the existence of any significant archeological or cultural resource sites within 0.5 miles of the Project Area. The results of the search are shown in Exhibit 7. The specific location of any archeological resources are excluded from the map and are instead listed in Table 2.

The OHPO database includes all Ohio listings on the National Register of Historic Places (“NRHP”), including districts, sites, building, structures, and objects that are significant in American history, architecture, archeology, engineering, and culture. The results of the search indicate that no listed NRHP sites and no NRHP eligible sites were identified within 0.5 miles of the Project potential disturbance area.

The OHPO database also includes listing of the Ohio Archaeological Inventory (“OAI”), the Ohio Historic Inventory (“OHI”), previous cultural resource surveys, and the Ohio Genealogical Society (“OGS”) cemetery inventory. Six (6) OAI listed archeological resources have been previously inventoried within 0.5 miles of the Project area and are shown in Table 2. Two (2) OHI listed structural resources are located within 0.5 miles of the Project area and are shown in Table 3. Six (6) previous cultural resource surveys were conducted within 0.5 miles of the Project area and are provided in Table 4. No OSG cemeteries are located within 0.5 miles of the Project area.

**Table 2. List of OAI Listed Archeological Resources**

<b>OAI Number</b>	<b>Affiliation</b>	<b>Description</b>	<b>County</b>	<b>Quad Name</b>
FU0226	Prehistoric	Unknown Prehistoric	Fulton	Delta
FU0154	Prehistoric	Unknown Prehistoric	Fulton	Delta
FU0155	Prehistoric	Unknown Prehistoric	Fulton	Delta
FU0156	Prehistoric	Unknown Prehistoric	Fulton	Delta
FU0180	Prehistoric	Unknown Prehistoric	Fulton	Delta
FU0240	Prehistoric	Early Archaic	Fulton	Delta

**Table 3. List of OHI Listed Structural Resources**

OHI Number	Present Name	Historic Use	County	Municipality
FUL0045711	House, 8900 US 20A	Single Dwelling	Fulton	York Township
FUL0044911	Nature Fresh Farms	Single Dwelling	Fulton	York Township

**Table 4. List of Previous Cultural & Historic Resource Survey**

Year	Name	County	Municipality
2005	Phase I Archaeology Survey for the Proposed Delta Steel Products Development in Section 11, York Township, Fulton County, Ohio	Fulton	York Township
2001	Phase I Cultural Resources Reconnaissance Survey for the Proposed Fulton County Processing Facility, York Township Section 11, Fulton County, Ohio	Fulton	York Township
2013	Phase I Archaeological Survey of a Proposed 7.08ha (17.5a) Fulton County Processing, Ltd. Expansion in York Township, Fulton County, Ohio	Fulton	York Township
2016	Phase I Cultural Resource Management Survey of the Proposed 64.7ha (160a.) Nature Fresh Farm Development, York Township, Fulton County, Ohio	Fulton	York Township
2017	Phase I Cultural Resource Management Survey of the Proposed 20.5ha (50.72a.) MetalX Scrap Processing Facility in York Township, Fulton County, Ohio	Fulton	York Township
2017	Phase I Cultural Resource Management Survey of a Proposed 12.4ha (30.7a.) ALPO Development in York Township, Fulton County, Ohio	Fulton	York Township

The closest OAI is approximately 0.26 miles from the proposed Project. Two different surveyed areas are located in part of or adjacent to the Project area.



These surveys are: the 2005 Phase I Survey for the Proposed Delta Steel Products; and the 2017 Phase I Cultural Resource Management of the proposed Metal X Scrap Processing Facility. Based on these results, no impacts to archeological resources are anticipated.

The closest OHI structure is located approximately 0.04 miles from the proposed Project. The structure is located on the other side of County Road 109. Only visual effects are anticipated, though are expected to be minimal due to the presence of the existing tap line to Nature Fresh Farms located adjacent to the property.

**4906-6-05 (B)(10)(d): Local, State, and Federal Requirements**

Table 5 shows the list of government agency requirements and their status at the time of filing.

**Table 5. List of Government Agency Requirements to be Secured Prior to Construction**

<b>Agency</b>	<b>Permit Requirement</b>	<b>Status</b>
Fulton County	Road Occupancy Permit	Will be Filed
FAA	FAA 7460-1 – Notice of proposed construction or alteration	Will be Filed

**4906-6-05 (B)(10)(e): Endangered, Threatened, and Rare Species Investigation**

TRC Companies, Inc. (“TRC”) on behalf of ATSI submitted a request to the Ohio Department of Natural Resources (“ODNR”) Division of Wildlife to conduct an Environmental Review on September 20, 2018. As part of the Environmental Review, a search of the ODNR Division of Wildlife’s Natural Heritage Database was conducted to research the presence of any endangered, threatened, or rare species within one (1) mile of the Project area. At the time of this filing a response from ODNR has not yet been received.

TRC on behalf of ATSI also submitted a request to the US Fish and Wildlife Service (“USFWS”) for an Ecological Review on September 20, 2018, to research the presence of any endangered, threatened, or rare species within one (1) mile of the Project area. The USFWS’s Ecological Review response of October 3, 2018 indicated they had no records of any endangered or threatened species in the Project area. A copy of the response is included as Exhibit 9.

TRC prepared a preliminary list of state and federal endangered species for the Project previously identified in Fulton County. A copy of TRC results are provided in Exhibit 8. A list of all endangered, threatened, and rare species, as designated by ODNR and USFWS, is provided in Table 6.

**Table 6. List of Endangered, Threatened, and Rare Species.**

<b>Table 6: List of Endangered, Threatened, and Rare Species</b>				
<b>Common Name</b>	<b>Scientific Name</b>	<b>Federal Listed Status</b>	<b>State Listed Status</b>	<b>Affected Habitat</b>
Indiana Bat	<i>Myotis sodalis</i>	Endangered	Endangered	Trees & Forest
Northern Long-Ear Bat	<i>Myotis septentrionalis</i>	Threatened	N/A	Trees & Forest
Purplish Copper	<i>Lycaena helloides</i>	N/A	Endangered	Wet Prairies & Fields
Regal Fritillary	<i>Speyeria idalia</i>	N/A	Endangered	Wet Prairies & Fields
Rayed Bean	<i>Villosa fabilis</i>	Endangered	Endangered	Streams
Eastern Massasauga	<i>Sistrurus catenatus</i>	Endangered	Endangered	Wet Prairies & Fields
Greater Readhorse	<i>Moxostoma valenciennesi</i>	N/A	Threatened	Streams

The federal and state endangered Indiana Bat (*Myotis sodalis*) and the federal threatened Northern Long-Eared Bat (*Myotis septentrionalis*) are within the range of the Project. There are no trees in the Project area and no impacts to these species are expected.

The Rayed Bean (*Villosa fabilis*) and Greater Redhorse (*Moxostoma valenciennesi*) range is within the Project Area. No impacts to these species are expected due to the Project's location and that no work is proposed in streams.

The Purplish Copper (*Lycaena helloides*), Regal Fritillary (*Speyeria idalia*), and Eastern Massasauga (*Sistrurus catenatus*) range is within the Project area. No impacts to these species are expected due to a lack of suitable habitat present in the Project area.

**4906-6-05 (B)(10)(f): Areas of Ecological Concern**

TRC conducted a wetland and stream assessment of the Project area. TRC's investigation focused on an approximately 1.8-acre study area around the proposed Project centerline, access roads, and additional workspace areas. During the study, TRC identified no wetlands or streams in the Project area. The entire study area is highly disturbed due to active construction and is located along the side of a public roadway. A copy of the TRC results are provided in Exhibit 8.

The Project work limits do not encroach on any regulated flood plains based on a review of online FEMA Flood Insurance Rate Mapping.

**4906-6-05(B)(10)(g): Other Information**

Construction and operation of the proposed Project will be in accordance with the requirements specified in the latest revision of the National Electric Safety Code as adopted by the PUCO and will meet all applicable safety standards established by the Occupational Safety and Health Administration.

No other or unusual conditions are expected that will result in significant environmental, social, health or safety impacts.

**4906-6-07: Documentation of Letter of Notification Transmittal and Availability for Public Review**

This Construction Notice is being provided concurrently with its docketing with the Board to the following officials in Village of Delta and York Township, Fulton County Ohio.

**Fulton County**

Commissioner Jeff Rupp  
President  
Fulton County Commissioners  
152 S. Fulton St., Suite 270  
Wauseon, OH 43567

Ms. Tammy Richardson,  
Administrative Assistant  
Fulton County Regional Planning  
123 Courthouse Plaza, Suite 1  
Wauseon, Oh 43567

Commissioner Bill Rufenacht  
Vice President  
Fulton County Commissioners  
152 S. Fulton St., Suite 270  
Wauseon, OH 43567

Mr. Frank Onweller, P.E., P.S.  
Fulton County Engineer  
9120 Co. Rd. 14  
Wauseon, OH 43567-9669

Commissioner Jon Rupp  
Fulton County Commissioners  
152 S. Fulton St., Suite 270  
Wauseon, OH 43567

Ms. Kim Bowles,  
District Administrator  
Fulton County SWCD  
8770 State Route 108, Suite B  
Wauseon, Ohio 43567

Mr. Vond T. Hall  
Fulton County Administrator  
152 S. Fulton St., Suite 270  
Wauseon, OH 43567

Mr. Matt Gilroy, President  
FCEDC  
123 Courthouse Plaza #2  
Wauseon, OH 43567

**Village of Delta**

The Honorable Dan D. Miller  
Mayor, Village of Delta  
Memorial Hall  
401 Main Street  
Delta, OH 43515

Mr. Brad Peebles  
Village of Delta Administrator  
Memorial Hall  
401 Main Street  
Delta, OH 43515

**York Township**

Mr. Thomas C. Tedrow  
York Township Trustee  
6955 Co. Rd. FG  
Delta, OH 43515

Mr. Jeffery A. Mazurowski  
York Township Trustee  
6955 Co. Rd. FG  
Delta, OH 43515

Mr. Robert W. Trowbridge  
York Township Trustee  
6955 Co. Rd. FG  
Delta, OH 43515

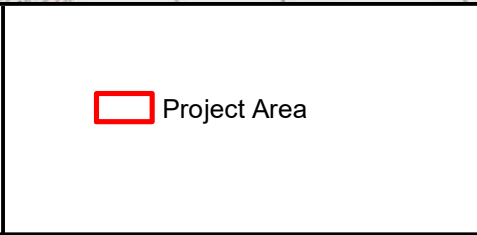
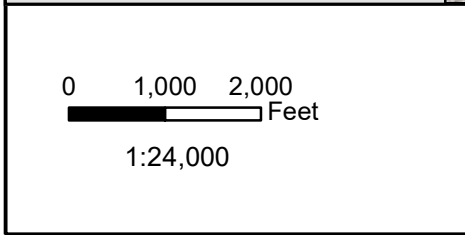
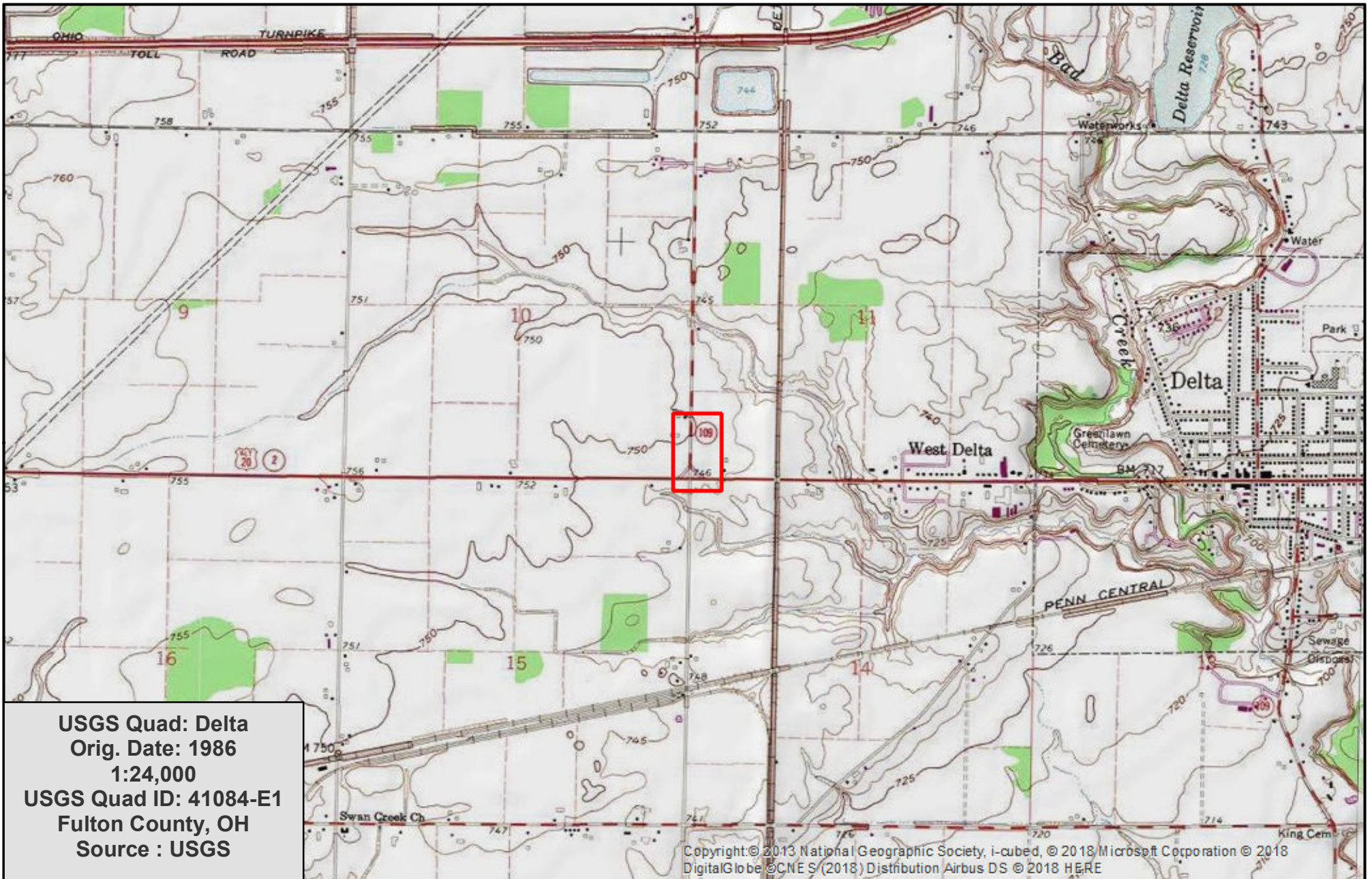
Ms. Karen S. Miller  
York Township Fiscal Officer  
6955 Co. Rd. FG  
Delta, OH 43515

**Libraries**

Ms. Candy Baird, Director  
Delta Public Library  
402 Main Street  
Delta, OH 43515

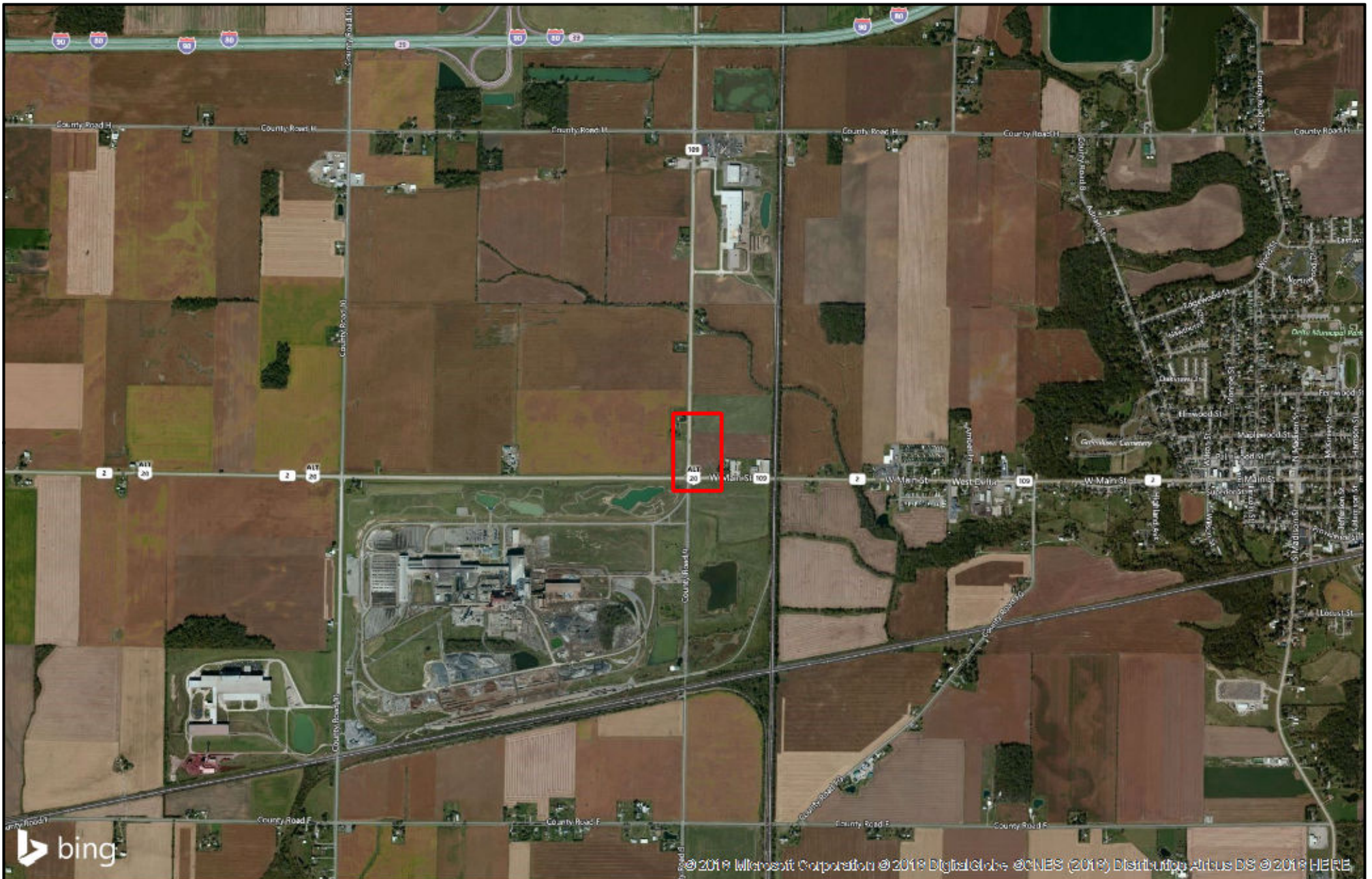
Copies of the transmittal letters to these officials have been included with this application as proof of compliance with OAC Rule 4906-6-07 (B) and to provide the Board with proof of notice to local officials as required by OAC Rule 4906-6-07 (A)(1) and to libraries per OAC Rule 4906-6-07 (A)(2).

Information is posted at [www.firstenergycorp.com/about/transmission\\_project/ohio.html](http://www.firstenergycorp.com/about/transmission_project/ohio.html) on how to request an electronic or paper copy of this Construction Notice application. The link to this website is being provided to meet the requirements of OAC Rule 4906-6-07 (B) and to provide the Board with proof of compliance with the notice requirements in OAC Rule 4906-6-07 (A)(3).



**Delta-Wauseon 138kV Transmission Line  
 Tap to Metal X Substation Project**

**Exhibit 1**



bing

© 2019 Microsoft Corporation © 2018 DigitalGlobe © CNES (2018) Distribution Airbus DS © 2018 HERE

0 1,000 2,000 Feet  
1:24,000

 Project Area

### Delta-Wauseon 138kV Transmission Line Tap to Metal X Substation Project

## Exhibit 2



FirstEnergy

Created on 9/6/2018



VILLAGE OF DELTA,  
YORK TOWNSHIP  
FULTON COUNTY  
OHIO

COUNTY ROAD 109

PROPOSED METAL X  
SUBSTATION




NATURE FRESH  
FARMS SUBSTATION

STRUCTURE  
16001 TO BE  
MODIFIED

WEST MAIN ST./US ALT 20

EXISTING DELTA-WAUSEON  
138 kV TAP LINE

### LEGEND

- EXISTING CONDUCTOR
- PROPOSED CONDUCTOR
-  EXISTING WOOD POLE STRUCTURE
-  EXISTING WOOD POLE STRUCTURE TO BE MODIFIED
-  PROPOSED WOOD POLE STRUCTURE

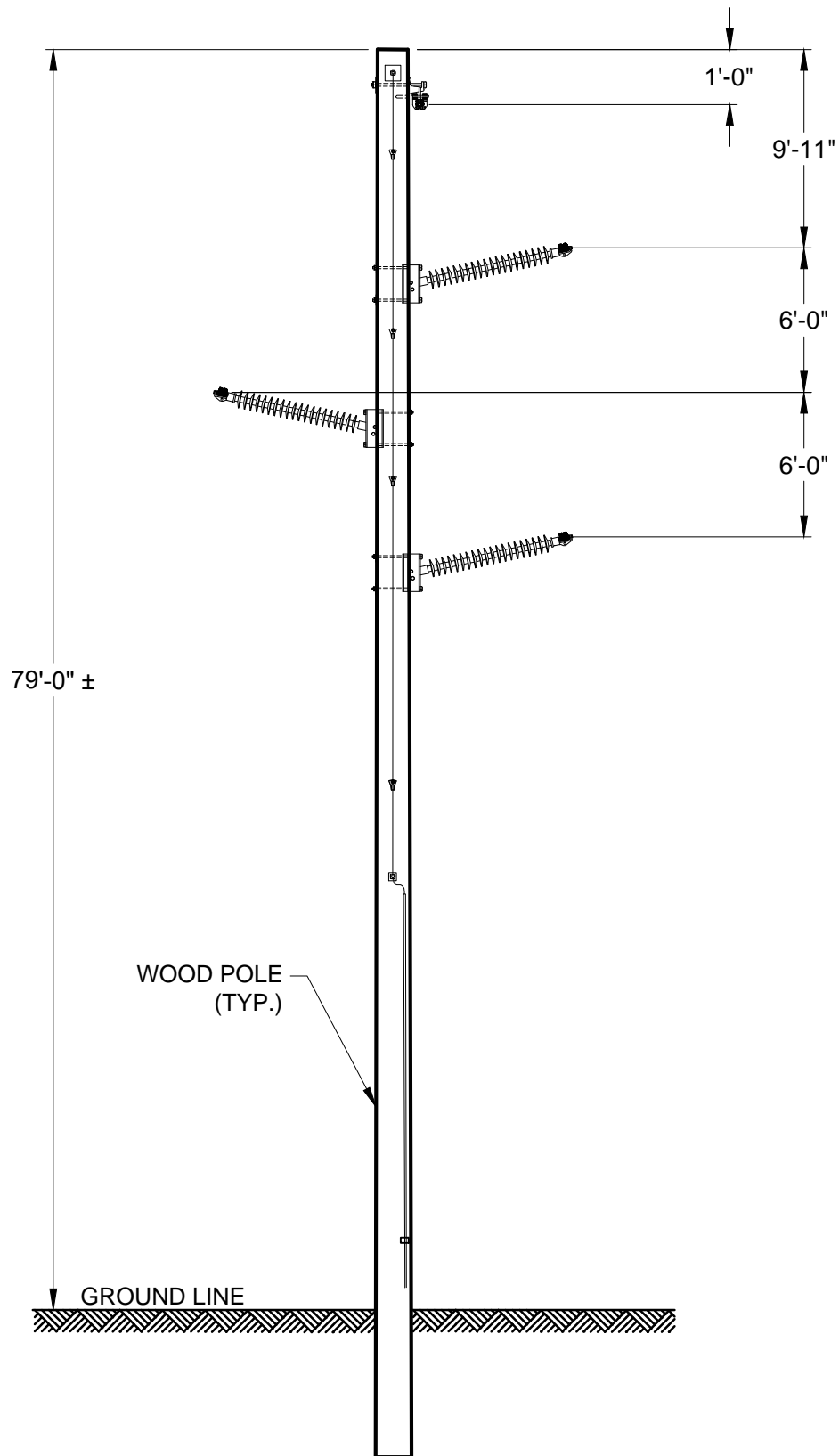


DELTA-WAUSEON 138 kV TRANSMISSION  
LINE TAP TO METAL X PROJECT

# GENERAL LAYOUT

## EXHIBIT 3





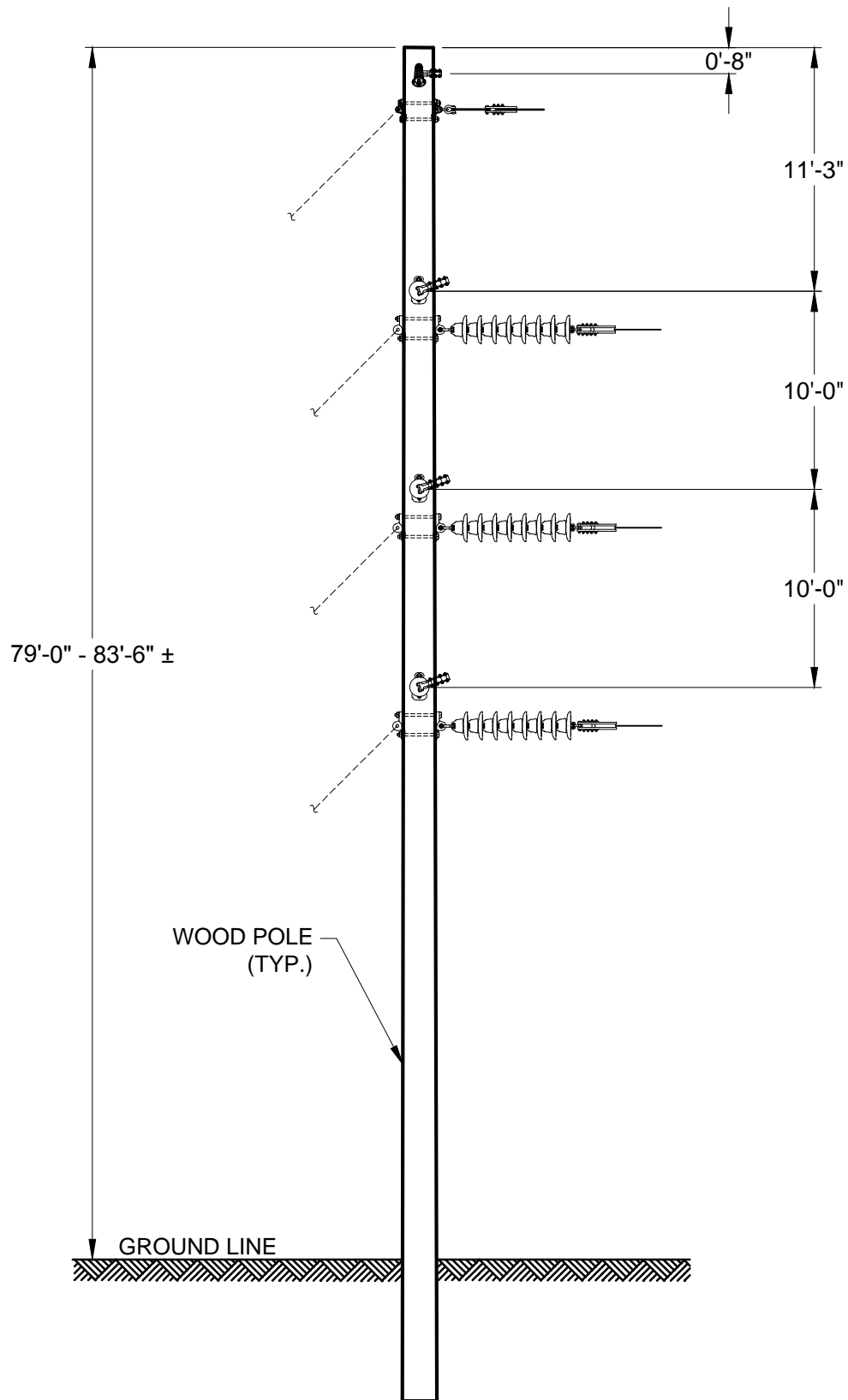
\*\*NOT TO SCALE

**ATSI**<sup>®</sup>  
 American Transmission Systems, Inc  
a subsidiary of FirstEnergy Corp.

DELTA-WAUSEON 138kV  
 TRANSMISSION LINE TAP TO  
 METALX PROJECT

WOOD TANGENT STRUCTURE

EXHIBIT 4



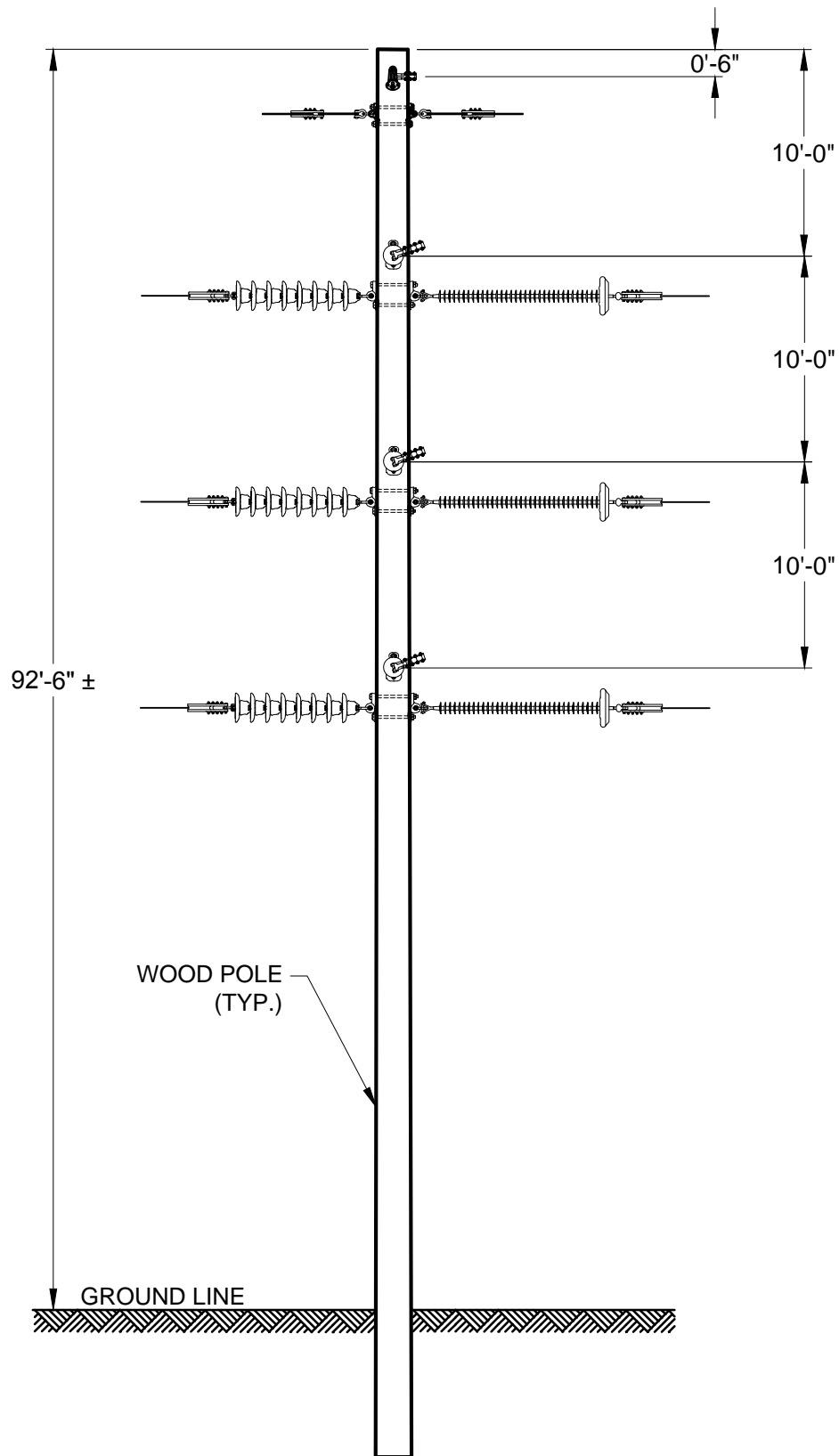
\*\*NOT TO SCALE

**ATSI**<sup>®</sup>  
 American Transmission Systems, Inc  
a subsidiary of FirstEnergy Corp.

DELTA-WAUSEON 138kV  
 TRANSMISSION LINE TAP TO  
 METALX PROJECT

WOOD CORNER DEADEND STRUCTURE

EXHIBIT 5



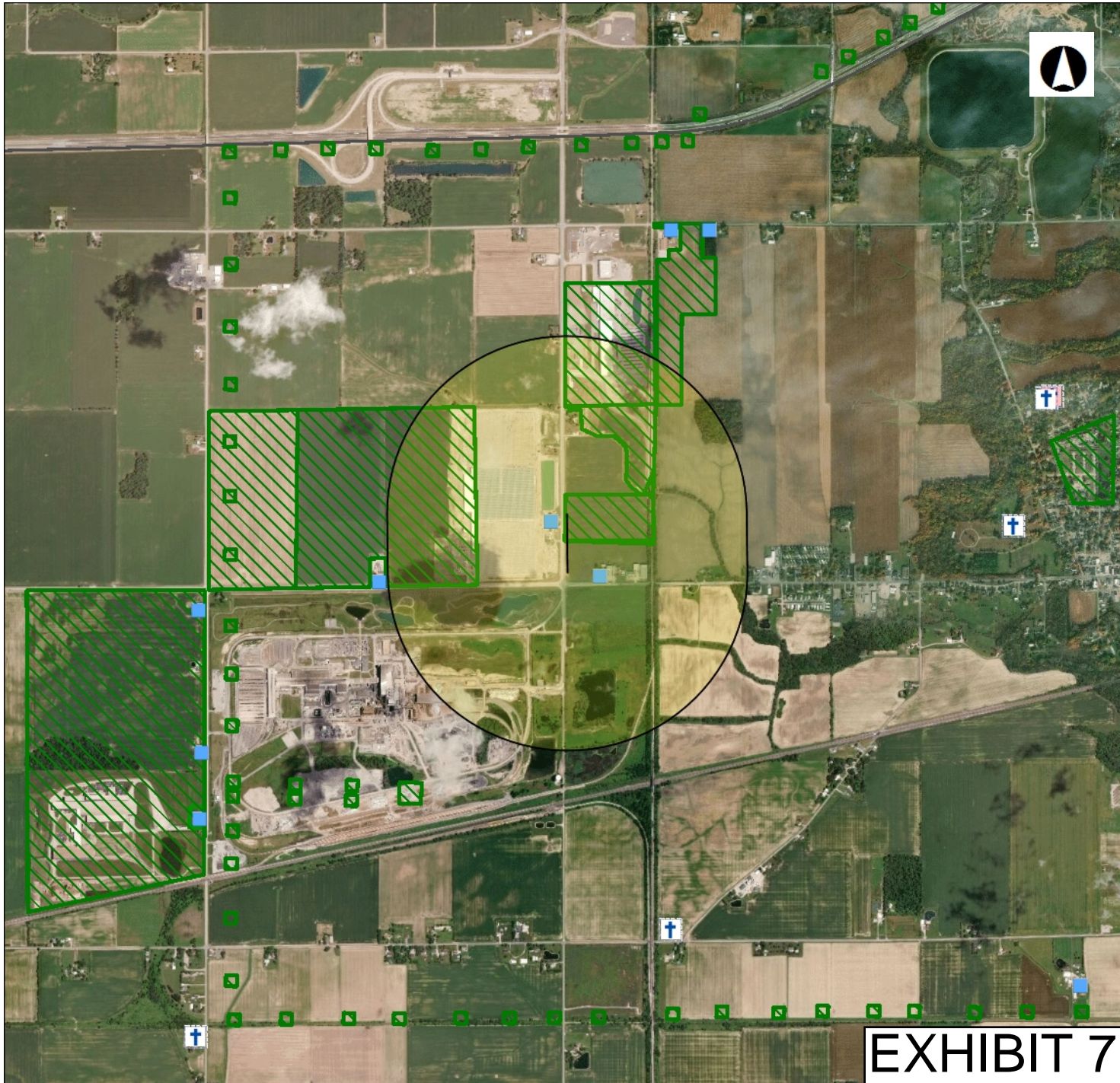
\*\*NOT TO SCALE

**ATSI**<sup>®</sup>  
 American Transmission Systems, Inc  
 a subsidiary of FirstEnergy Corp.

DELTA-WAUSEON 138kV  
 TRANSMISSION LINE TAP TO  
 METALX PROJECT

WOOD 3-WAY DEADEND STRUCTURE

EXHIBIT 6



**EXHIBIT 7**



State Historic Preservation Office

**Legend**

NR Listings

- Listed
- ⊙ National Historic Landmark
- ✕ Delisted

- ◆ NR Determinations of Eligibi
- Historic Structures
- Historic Bridges
- Historic Tax Credit Projects

OGS Cemeteries

- ⊕ Confident
- ⊕ Not Confident

- Dams
- UTM Zone Split

NR Boundaries

- ▨ Phase1
- ▨ Phase2
- ▨ Phase3
- ▨ Historic Previously Surveyec

0 0.44 0.88 Miles

1: 34,715

Copyright/Disclaimer

This map is a user generated static output from an Internet mapping site and is for general reference only. Data layers that appear on this map may or may not be accurate, current, or otherwise reliable. THIS MAP IS NOT TO BE USED FOR NAVIGATION.

Datum: [Datum]  
 Projection: WGS\_1984\_Web\_Mercator\_Auxiliary\_Sphere



---

**Delta-Wauseon 138 kV Transmission Lines Tap To Metal X Project (ATSI)  
Case Number 18-1401-EL-BNR**

---

**Exhibit 8  
Ecological Review of the Tap to MetalX Substation Project, Fulton County, Ohio**



1382 West Ninth Street  
Suite 400  
Cleveland, OH 44113

216.344.3072 PHONE

[www.trcsolutions.com](http://www.trcsolutions.com)

September 28, 2018

Kristin Susick  
FirstEnergy Corporation  
341 White Pond Drive, Building B3  
Akron, Ohio 44320

**RE: Ecological Review of the Tap to MetalX Substation Project, Fulton County, Ohio  
TRC Project No.: 286577.0000**

Ms. Susick:

TRC conducted a wetlands and other waters of the U.S. determination on the approximately 1.8-acre study area located on the east side of Highway 109, north of the intersection with US Highway 20A in Fulton County, Ohio (Project). A TRC wetland ecologist systematically surveyed the Project study area, looking for wetland indicators in signs of hydrology and/or hydrophytic vegetation. No wetland indicators, wetlands, or streams exist within the study area. Maps and photos are attached for reference. The entire study area is categorized as highly disturbed roadside land or active construction.

TRC has prepared a preliminary list of state and federal threatened and endangered species identified for Fulton County, Ohio and comments regarding observations on potential habitat within the Study Area (Table 1). Additionally, TRC has submitted information request letters to the Ohio Department of Natural Resources - Division of Wildlife (ODNR-DOW) and the U.S. Fish and Wildlife Service (USFWS) to determine if the Project will impact any species of concern or habitats (including Indiana and/or northern long-eared bat hibernacula) and/or managed lands near the Project footprint. Responses to those request letters are still pending.

We appreciate your business and the opportunity to provide First Energy this Ecological Review for the Tap to MetalX Substation Project. If you have any questions, please contact me at 330-472-8210 or vial email at [jwhittle@trcsolutions.com](mailto:jwhittle@trcsolutions.com).

Thank you,

TRC Environmental Corporation

Jason Whittle, Senior Ecologist

Enclosures: USGS and Aerial Mapping of Project Location, Photographic Log

<b>Table 1. State and Federal Threatened and Endangered Species Identified for Fulton County, Ohio</b>			
<b>Latin Name</b>	<b>Common Name</b>	<b>Status*</b>	<b>Comments</b>
<i>Lycaena helloides</i>	Purplish Copper (butterfly)	SE	No suitable habitat within study area.
<i>Speyeria idalia</i>	Regal Fritillary (butterfly)	SE	No suitable habitat within study area.
<i>Villosa fabalis</i>	Rayed Bean (bivalve)	FE	No streams within study area.
<i>Myotis sodalis</i>	Indiana Myotis (mammal)	FE	No trees within study area.
<i>Myotis septentrionalis</i>	Northern Long-eared Bat (mammal)	FT	No trees within study area.
<i>Sistrurus catenatus</i>	Eastern Massasauga (snake)	FT	No suitable habitat within study area.
<i>Moxostoma valenciennesi</i>	Greater Redhorse (fish)	ST	No streams within study area.

\*SE = state endangered, FE = federally endangered, FT = federally threatened, ST = state threatened

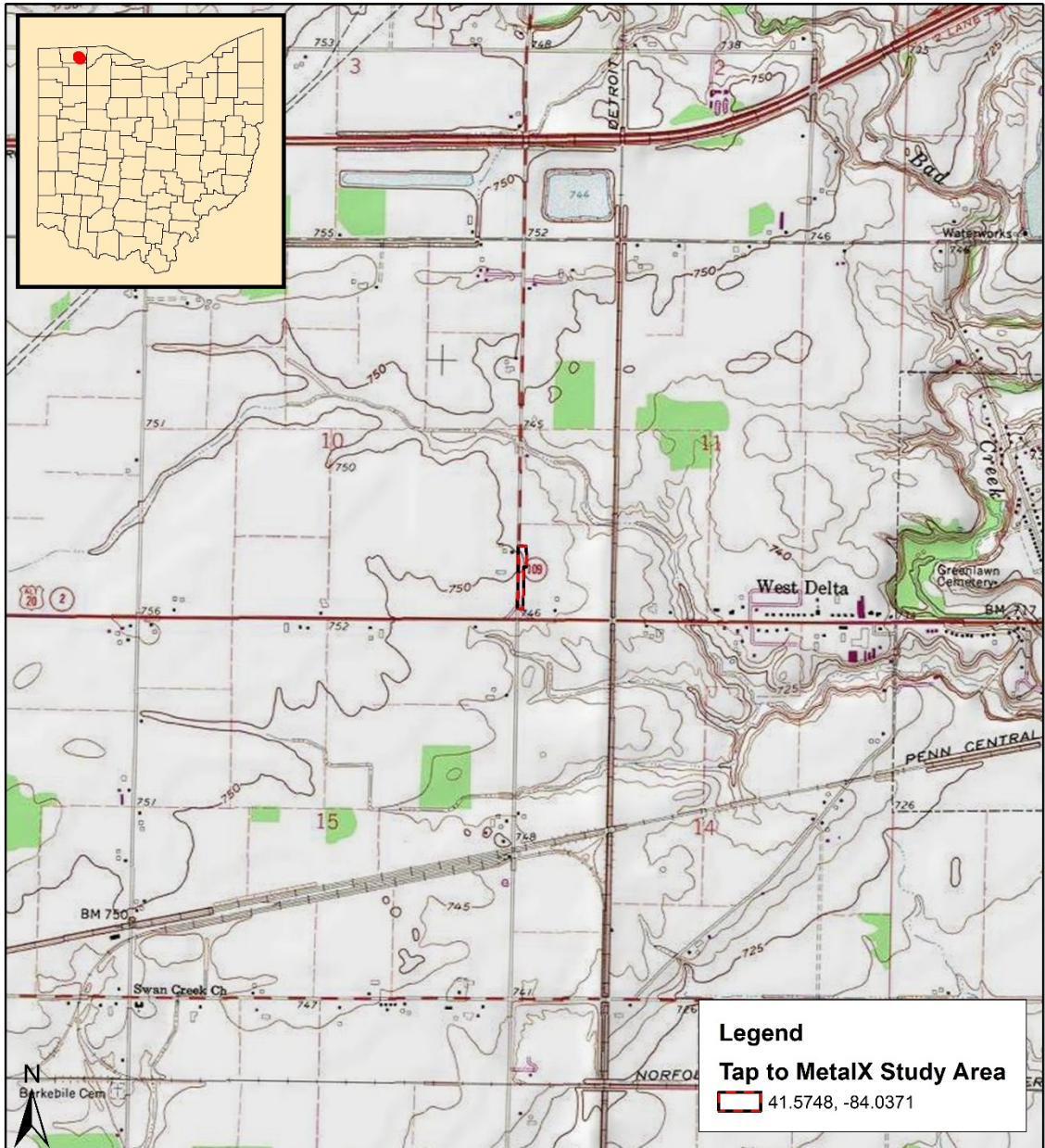


Figure 1: Project Area Location Map - USGS Quad





Figure 2: Project Location Map - Aerial Photography



*Photo 1: Typical Site Conditions. Photo taken from Hwy 109, facing south toward the southern terminus of the Project Area.*



*Photo 2: Typical Site Conditions. Photo taken from the approximate center of the proposed Project Area, facing north..*



*Photo 3: Typical Site Conditions. Photo taken from the northern extent of proposed Project Area, facing northeast.*

Loomis, Ryann J

**From:** Whittle, Jason <JWhittle@trcsolutions.com>  
**Sent:** Wednesday, October 3, 2018 9:09 AM  
**To:** Loomis, Ryann J  
**Cc:** 'Kristin Susick'  
**Subject:** FW: ATSI, Delta-Wauseon Tap to MetalX Substation Project, Fulton Co.

See below.

USFWS is usually pretty quick. I don't anticipate the ODNR letter for a couple more weeks.

Jason  
330.472.8210

**From:** susan\_zimmermann@fws.gov <susan\_zimmermann@fws.gov> **On Behalf Of** Ohio, FW3  
**Sent:** Wednesday, October 03, 2018 9:02 AM  
**To:** Whittle, Jason <JWhittle@trcsolutions.com>  
**Subject:** ATSI, Delta-Wauseon Tap to MetalX Substation Project, Fulton Co.



UNITED STATES DEPARTMENT OF THE INTERIOR  
U.S. Fish and Wildlife Service  
Ecological Services Office  
4625 Morse Road, Suite 104  
Columbus, Ohio 43230  
(614) 416-8993 / Fax (614) 416-8994



Dear Mr. Whittle,

We have received your recent correspondence requesting information about the subject proposal. There are no Federal wilderness areas, wildlife refuges or designated critical habitat within the vicinity of the project area.

**FEDERALLY LISTED, PROPOSED, AND CANDIDATE SPECIES COMMENTS:** Due to the project, type, size, and location, we do not anticipate adverse effects to federally endangered, threatened, proposed, or candidate species. Should the project design change, or during the term of this action, additional information on listed or proposed species or their critical habitat become available, or if new information reveals effects of the action that were not previously considered, consultation with the U.S. Fish and Wildlife Service should be initiated to assess any potential impacts.

If you have questions, or if we can be of further assistance in this matter, please contact our office at (614) 416-8993 or [ohio@fws.gov](mailto:ohio@fws.gov).

Sincerely,

Scott Pruitt  
Acting Field Supervisor